



## PIONEER ON THE RADIATOR MARKET

Stelrad is one of the absolute pioneers of the European radiator market. The first steel panel radiator rolled out of the production line back in 1960. Today Stelrad is still one of the leaders of the European radiator market. We owe this position at the top to our employees daily drive in developing and making radiators compliant to the high expectations of the modern European consumer. Thanks to the in-house developed ECO-technology, Stelrad produces the most energy saving radiators on the market.

The high quality standards that applied to the first steel panel radiators in the Sixties are still carried out for the thousands of radiators that leave our factories each day. The technologies behind them however have undergone many evolutions. We serve our customers through a widespread and international distribution network of wholesale businesses in heating and sanitary fittings.

## EXCLUSIVE DESIGNER RADIATORS

Initially Stelrad limited itself to producing extremely sturdy steel panel radiators as the standard for each home. The product family has since expanded and most models are now available in over 200 colours.

In addition to the extremely functional radiators, Stelrad has developed exclusive designer radiators. These radiators offer extra character to every interior, without taking away from the heat comfort. Stelrad designer radiators bring together design and functionality.

## HEAT = VALUABLE

Valuable because there is no comfort or cosiness without heat, but also valuable because heat should be cherished as a scarce resource. Stelrad's R&D department has been working tirelessly to make radiators more energy efficient.

With the development of ECO technology, Stelrad launched the first energy saving radiator that will repay itself in the long run. Meanwhile we apply this technology to different decorative models. With our ECO radiators we guarantee the desired heat comfort and a decrease in energy consumption, and consequently in the energy bill. A win-win situation for you and the environment!



## SUSTAINABLE, GREEN HEAT

Stelrad will make every effort to reduce even more energy consumption of our radiators in the future, without compromising the quality and comfort of the heat. The ultimate combination of comfort and durability, that's what Stelrad stands for.

## PART OF AN INTERNATIONAL GROUP

Since 1996 Stelrad has been part of the Stelrad Radiator Group (SRG). Anchoring in a European group gives us the needed basis and power to consolidate and further strengthen our European position.

# CONTENT

## VENTO RANGE



Planar VENTO .....	6
Compact VENTO .....	8

## ECO RANGE



Novello ECO .....	12
Hygiene ECO .....	16

## DESIGN RANGE



Column .....	20
Horta Vertical .....	22
Almada .....	23
Gilia Single .....	24
Gilia Double .....	25

## DECO RANGE



Planar Slim ECO .....	26
Planar ECO .....	28
Planar Style ECO .....	32
Planar 8 .....	36
Planar Style 8 .....	40
Hygiene Planar 8 .....	44
Planar .....	48
Compact Planar .....	52
Compact Style .....	56
Planar Plinth .....	60
Planar Style Plinth .....	61
Planar Plinth D .....	62
Planar Style Plinth D .....	63
Reno Planar .....	66
Vertex Swing, Vertex Tango & Vertex Slim .....	68
Vertex Plan & Vertex Style .....	74

## SPECIAL RADIATORS



ECO Galva .....	84
Hygiene ECO Galva .....	88
Novello Plinth .....	92
Reno .....	94
Galva .....	98
Hygiene Galva .....	102
Hygiene .....	106
Vertical Galva .....	110

## STANDARD RADIATORS



Vertex .....	113
Novello 8 .....	116
Novello .....	120
Compact All In .....	124
Accord All In .....	128

## ELECTRICAL RANGE



Vertex Plan E .....	132
Vertex E .....	133
Dahlia E-VENTO .....	136
Dahlia E .....	137

## BATHROOM RANGE

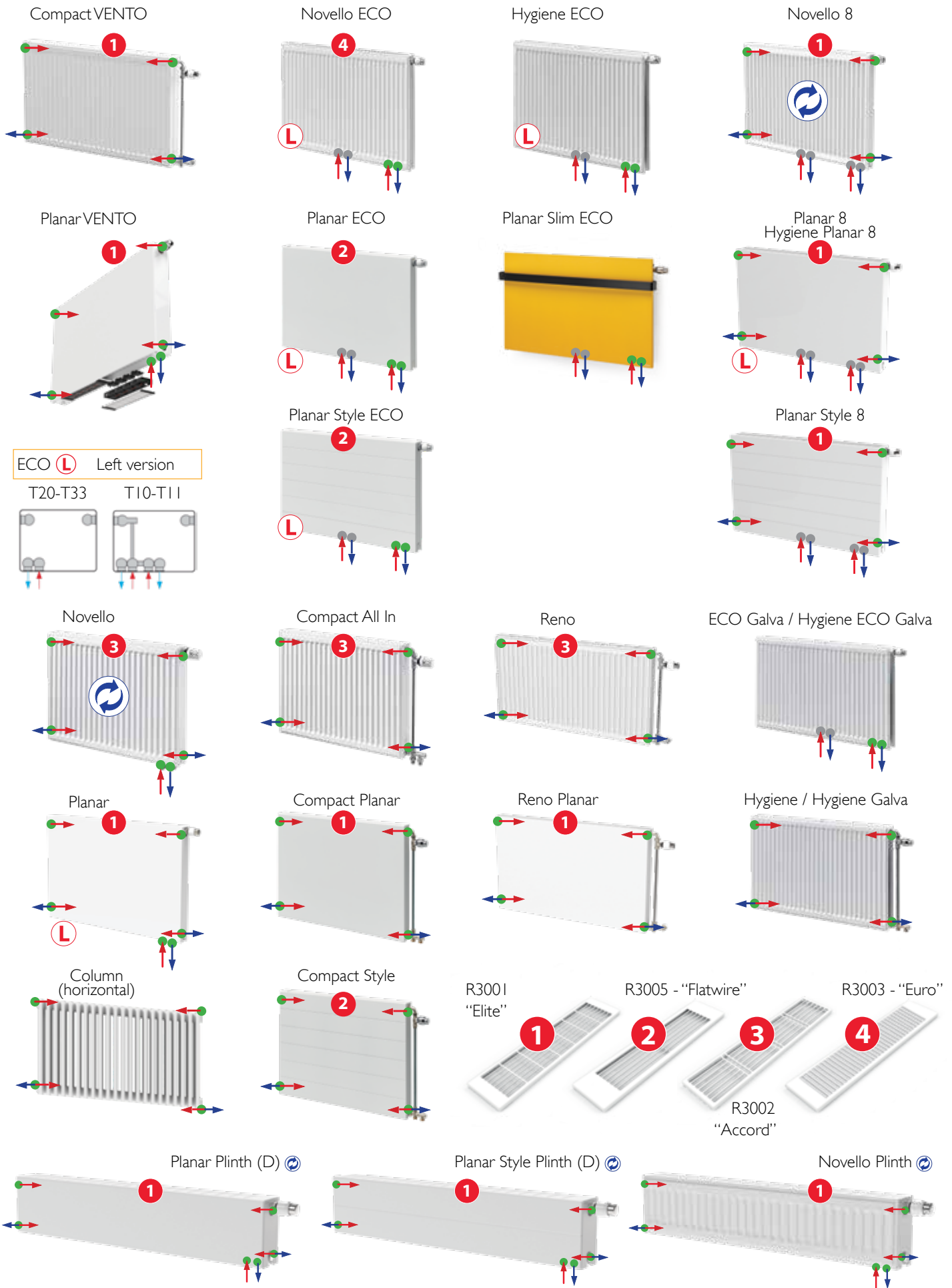


Dahlia   Dahlia CT .....	138
Valeriana   Valeriana CT .....	139
Heating element for bathroom radiators .....	140
Bathroom radiator as room divider .....	141

## GENERAL

Connection overview: horizontal & vertical radiators .....	4
Vertex Swing, Vertex Tango, Vertex Slim, Vertex Plan, Vertex Style, Vertical Galva & Vertex	
Wall brackets .....	80
Mounting & Dismounting - Dressing .....	81
Grille & bracket hider .....	81
Towel rail vertical radiators .....	82
Towel rails horizontal radiators .....	83
DIN-radiators steel/cast iron: compared to Reno / Reno Planar .....	97
Mounting	
Electrical radiators .....	134
Mounting template .....	142
Lug positions .....	144
Connection possibilities .....	145
Mounting dimensions valve radiators .....	146
Wall brackets .....	148
Mounting dimensions of plinth radiators .....	152
Floor stands .....	153
Valved design connection fitting .....	156
connection fittings without valve & thermostatic valve .....	158
DIN-radiators steel/cast iron: replacement radiator & renovationset for ECO-radiators .....	159
Hydraulic balancing of heating systems .....	160
Valve insert .....	161
Pressure drop .....	168
Mounting & Dismounting - Dressing .....	172
Certificates & heat screen .....	174
EN442 compliance .....	175
Temperature correction factors .....	176
How to compose your article number ? .....	177
Colour your warmth .....	178

# CONNECTION OVERVIEW: HORIZONTAL RADIATORS



Attention: The bottom connections must be used in pairs and cannot be used in combination with other connections. (see also page 145)



# CONNECTION OVERVIEW: VERTICAL RADIATORS

Vertex Swing



Vertex Tango



Vertex Slim



Vertex Style \*



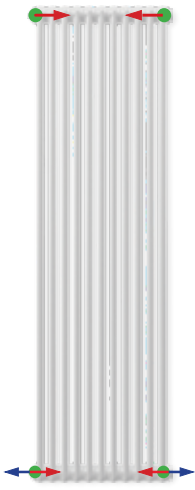
Vertex Plan \*



Vertex \*  
Vertical Galva \*



Column  
(vertical)



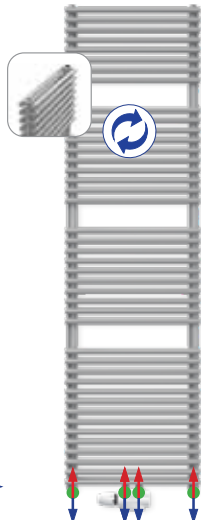
Almada



Horta Vertical



Gilia Double



Gilia Single



Dahlia  
Dahlia CT



Valeriana  
Valeriana CT



1/2" Female connection



3/4" Eurocone male connection



Reversible Front-Back



Reversible Top-Bottom



Left version available

\* For the connection possibilities when the radiator is reversed: see also page 78, 79 and 113

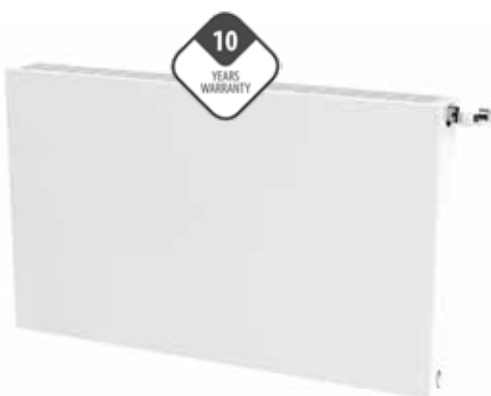
Attention: for the vertical radiators:  
- combine either the inner (centre) connections  
- or the outer connections for in- and outlet.  
(cannot be combined)

## General information

### PLANAR VENTO

The Planar VENTO ultra-low-temperature radiator is the decorative version in our VENTO range. The fully automatic radiator with integrated fans provides an enhanced convection. This makes the radiator extremely suitable for low and ultra-low supply temperatures, such as with heat pumps. In addition, the VENTO can provide non-condensing cooling in combination with a heat pump.

Product:	decorative ultra-low-temperature valve radiator with a flat front and integrated fans for a boosted convection
Finishing:	decorative flat front, upper grille and side panels
Pre-installed:	fully automatic fans, preset Heimeier 4368 or 4369 valve insert, air vent and blind plugs
Valve insert:	The integrated adjustable valve insert (without thermostatic head) is factory-fit on the right side of the radiator, CEN certified, tested in accordance with EN215 and compatible with thermostatic heads M30 x 1,5 mm. The thermostatic valve insert is factory-set in relation to the size of the radiator. This presetting ensures optimum throughput in the radiator. Factory setting for two-pipe systems, also suitable for one-pipe systems (as long as the valve insert is adjusted to position 8).
Also supplied:	AC/DC adapter 240V/12V with 1,5 m power cable, VDI brackets with anti-lift (type Monclac), screws, plugs and installation instructions
Control:	fully automatic, modulating control. When plugging in, the fans will briefly operate to check their proper functioning. During their normal operation the fans will start when the bottom side remains warm during a certain amount of time. This may take 10 – 30 minutes.
Cooling:	in combination with a heat pump. The inlet temperature must remain above the dew point. For optimal cooling, the direction of the water through the radiator must be reversed, and the thermostatic head fully open. If the room temperature is higher than the maximum temperature setting of the radiator thermostat, the thermostatic head must be temporarily removed.
Sound pressure:	max. 32 dB(A) at a distance of 1 meter; for a radiator with a length of 1.000 mm and a height of 600 mm
Connections:	6 x ½" female connection (2 x ½" lateral bottom connection included).
Lugs:	2 pairs of mounting lugs up to 1.600 mm and 3 pairs from 1.800 mm
Packaging:	Every radiator is sturdily packaged in high-quality cardboard and wrapped in plastic. The radiator's characteristics are shown on the label: type – height – length.
Warranty:	10 years for the radiator and 2 years for the electrical components, as long as the installation instructions have been followed and Stelrad's warranty conditions have been met.
Paint process:	All radiators are degreased, phosphated, cathodically primed and powder-coated in Stelrad white 9016 as standard.
Colours:	Stelrad white 9016 + 35 different Stelrad colours and about 200 RAL-colours are possible
Max. operating pressure:	10 bar (tested to 13 bar)
Min./max. operating temp.:	35 – 60 °C
Conformity:	in accordance with EN16430
Max. electrical power:	1,2 – 7 W
Number of fans:	4 – 21
Type:	22
Heights:	400   600   900 mm
Lengths:	500 – 2.000 mm
Depth:	102 mm

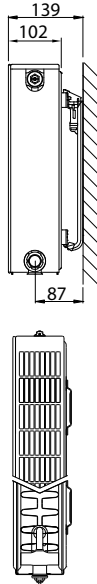


## Type overview and heat outputs according to EN16430

Calculation factor per meter at 75/65/20°C according EN16430

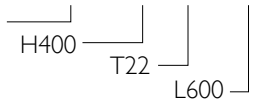
Characteristic equation::

$$\Phi = K_M \times \Delta T^n$$



On the label:  
VENTO PLAN T22: 0240

Art. 0240 04 22 06



$\Delta T$	12,5°C	EN16430	35/30/20°C
$\Delta T$	20°C	EN16430	45/35/20°C

Height	400	600	900	Height
Type	22			Type
<b>500</b>	145 254 0240042205	185 327 0240062205	225 406 0240092205	<b>500</b>
<b>600</b>	173 305 0240042206	222 392 0240062206	270 487 0240092206	<b>600</b>
<b>700</b>	202 355 0240042207	259 458 0240062207	315 568 0240092207	<b>700</b>
<b>800</b>	231 406 0240042208	296 523 0240062208	360 650 0240092208	<b>800</b>
<b>900</b>	260 457 0240042209	333 588 0240062209	405 731 0240092209	<b>900</b>
<b>1000</b>	289 508 0240042210	370 654 0240062210	450 812 0240092210	<b>1000</b>
<b>1100</b>	318 558 0240042211	407 719 0240062211	495 893 0240092211	<b>1100</b>
<b>1200</b>	347 609 0240042212	444 784 0240062212	540 974 0240092212	<b>1200</b>
<b>1400</b>	405 711 0240042214	518 915 0240062214	630 1137 0240092214	<b>1400</b>
<b>1600</b>	462 812 0240042216	592 1046 0240062216	721 1299 0240092216	<b>1600</b>
<b>1800</b>	520 914 0240042218	666 1177 0240062218		<b>1800</b>
<b>2000</b>	578 1015 0240042220	740 1307 0240062220		<b>2000</b>

Height		Type 22	Centre distance
400	W	1.522	350
	kg	24,67	
	l	4,60	
	m <sup>2</sup>	4,92	
	n	1,20	
600	W	1.983	550
	kg	35,70	
	l	6,60	
	m <sup>2</sup>	7,74	
	n	1,21	
900	W	2.562	850
	kg	53,55	
	l	9,65	
	m <sup>2</sup>	12,68	
	n	1,25	

W=heat output per meter / kg=weight per meter  
l=content per meter / m<sup>2</sup>=surface per meter / n=exponent

The manufacturer reserves the right to alter any of the specifications shown in this document without prior notice.

## General information

### COMPACT VENTO

The Compact VENTO is the ultra-low-temperature radiator that, thanks to its modulating control and integrated fans, provides you with pleasant heating comfort even at low temperatures. The big advantage of this model is that the fans are controlled fully automatically. This radiator has also been specifically developed for use in combination with renewable energy sources such as a heat pump. In addition, the VENTO can provide non-condensing cooling in combination with a heat pump.

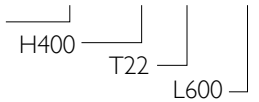
Product:	ultra-low-temperature radiator with integrated fans for a boosted convection
Finishing:	upper grille and side panels
Pre-installed:	fully automatic fans
Also supplied:	AC/DC adapter 240V/12V with 1,5 m power cable, VDI brackets with anti-lift (type Monclac), screws, plugs, air vent, blind plug and installation instructions
Control:	fully automatic, modulating control. When plugging in, the fans will briefly operate to check their proper functioning. During their normal operation the fans will start when the bottom side remains warm during a certain amount of time. This may take 10 – 30 minutes.
Cooling:	in combination with a heat pump. The inlet temperature must remain above the dew point. For optimal cooling, the direction of the water through the radiator must be reversed, and the thermostatic head fully open. If the room temperature is higher than the maximum temperature setting of the radiator thermostat, the thermostatic head must be temporarily removed.
Sound pressure:	max. 32 dB(A) at a distance of 1 meter, for a radiator with a length of 1.000 mm and a height of 600 mm
Connections:	6 x ½" female connection (2 x ½" lateral bottom connection included).
Lugs:	2 pairs of mounting lugs up to 1.600 mm and 3 pairs from 1.800 mm
Packaging:	Every radiator is sturdily packaged in high-quality cardboard and wrapped in plastic. The radiator's characteristics are shown on the label: type – height – length.
Warranty:	10 years for the radiator and 2 years for the electrical components, as long as the installation instructions have been followed and Stelrad's warranty conditions have been met.
Paint process:	All radiators are degreased, phosphated, cathodically primed and powder-coated in Stelrad white 9016 as standard.
Colours:	Stelrad white 9016 + 35 different Stelrad colours and about 200 RAL-colours are possible
Max. operating pressure:	10 bar (tested to 13 bar)
Min./max. operating temp.:	35 – 60 °C
Conformity:	in accordance with EN16430
Max. electrical power:	1,2 – 7 W
Number of fans:	4 – 21
Type:	22
Heights:	400   600   900 mm
Lengths:	500 – 2.000 mm
Depth:	100 mm



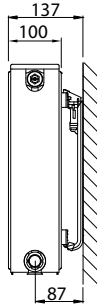
## Type overview and heat outputs according to EN16430

On the label:  
COMPACTVENTO T22: 0110

Art. 0110 04 22 06



Calculation factor per meter at 75/65/20°C according EN16430



Characteristic equation::

$$\Phi = K_M \times \Delta T^n$$



$\Delta T$	12,5°C	EN16430	35/30/20°C
$\Delta T$	20°C	EN16430	45/35/20°C

Height	400	600	900	Height
Type	22			Type
<b>500</b>	145 256 0110042205	180 321 0110062205	229 416 0110092205	<b>500</b>
<b>600</b>	174 307 0110042206	215 385 0110062206	275 499 0110092206	<b>600</b>
<b>700</b>	203 358 0110042207	251 449 0110062207	321 583 0110092207	<b>700</b>
<b>800</b>	232 409 0110042208	287 514 0110062208	366 666 0110092208	<b>800</b>
<b>900</b>	261 460 0110042209	323 578 0110062209	412 749 0110092209	<b>900</b>
<b>1000</b>	290 511 0110042210	359 642 0110062210	458 832 0110092210	<b>1000</b>
<b>1100</b>	319 562 0110042211	395 706 0110062211	504 916 0110092211	<b>1100</b>
<b>1200</b>	348 613 0110042212	431 770 0110062212	550 999 0110092212	<b>1200</b>
<b>1400</b>	406 715 0110042214	503 899 0110062214	641 1165 0110092214	<b>1400</b>
<b>1600</b>	464 818 0110042216	575 1027 0110062216	733 1332 0110092216	<b>1600</b>
<b>1800</b>	522 920 0110042218	646 1155 0110062218		<b>1800</b>
<b>2000</b>	580 1022 0110042220	718 1284 0110062220		<b>2000</b>

Height		Type 22	Centre distance
400	W	1.541	350
	kg	22,10	
	l	4,60	
	m <sup>2</sup>	4,92	
	n	1,20	
600	W	1.992	550
	kg	30,00	
	l	6,60	
	m <sup>2</sup>	7,74	
	n	1,24	
900	W	2.666	850
	kg	46,80	
	l	9,65	
	m <sup>2</sup>	12,68	
	n	1,27	

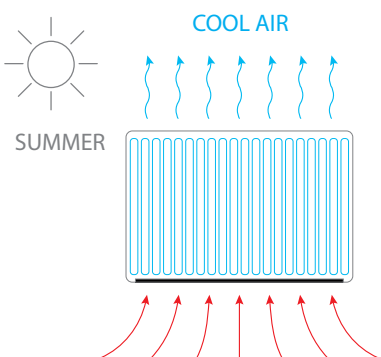
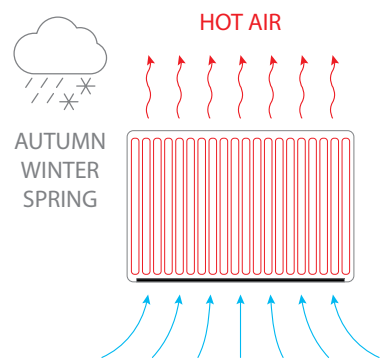
W=heat output per meter / kg=weight per meter  
l=content per meter / m<sup>2</sup>=surface per meter / n=exponent

The manufacturer reserves the right to alter any of the specifications shown in this document without prior notice.



# COOLING

Built-in ventilators automatically generate additional convection heat. But that's not all, because when you use it with a heat pump set at no lower than 17°C you can also use a VENTO radiator to cool down your home. Homes are increasingly being well insulated, which increases the risk of overheating in the summer. The cooling kicks in automatically generating a pleasant breeze.



( in watt )		Planar-VENTO						Compact VENTO					
		H 400		H 600		H 900		H 400		H 600		H 900	
Ventilator speed		Stand-by	Dyn. max.	Stand-by	Dyn. max.	Stand-by	Dyn. max.	Stand-by	Dyn. max.	Stand-by	Dyn. max.	Stand-by	Dyn. max.
n-exponent		1,2917	0,9211	1,3066	0,9528	1,3202	0,8715	1,305	0,8937	1,3055	0,9204	1,2942	0,82
L 500	17 / 19 / 28°C	57	95	79	113	107	122	59	92	81	109	113	128
L 600	17 / 19 / 28°C	68	113	94	135	128	146	70	110	97	130	136	153
L 700	17 / 19 / 28°C	80	132	110	158	149	170	82	129	113	152	158	179
L 800	17 / 19 / 28°C	91	151	126	180	170	194	94	147	130	174	181	204
L 900	17 / 19 / 28°C	103	170	141	203	192	219	105	166	146	195	203	230
L 1000	17 / 19 / 28°C	114	189	157	225	213	243	117	184	162	217	226	255
L 1100	17 / 19 / 28°C	125	208	173	248	234	267	129	202	178	239	249	281
L 1200	17 / 19 / 28°C	137	227	188	270	256	292	140	221	194	260	271	306
L 1400	17 / 19 / 28°C	160	265	220	315	298	340	164	258	227	304	316	357
L 1600	17 / 19 / 28°C	182	302	251	360	341	389	187	294	259	347	362	408
L 1800	17 / 19 / 28°C	205	340	283	405	-	-	211	331	292	391	-	-
L 2000	17 / 19 / 28°C	228	378	314	450	-	-	234	368	324	434	-	-

# SOUND PRESSURE

The modulation system ensures you achieve your optimal temperature without needing a lot of technical knowledge. And you won't be disturbed by the ventilators that generate additional convection heat. While other classic systems usually have three settings, the VENTO convection technology has a modulating thermostat to ensure it reaches your desired temperature quickly and noiselessly.

The VENTO only works at full tilt when the temperature in your home has fallen to a low level. In that case the sound pressure at 1 meter of a model measuring 600 mm by 1.000 mm is just 32dB(A), the level of a whisper.

## HOW LOUD IS A GIVEN DECIBEL LEVEL?

dB(A)	Perception	Examples
10	Virtually inaudible	Breathing, falling leaf
20	Just audible	Radio studio, rustling leaves
30	Very quiet	Library (30-40), whispers
40	Quiet	Living room, quiet classroom, gentle hubbub, fridge
50	Moderate	Airconditioning, normal conversation, dishwasher

## HEATING AT ULTRA LOW TEMPERATURE: CHOOSE SUSTAINABILITY

### ENERGY EFFICIENT

Heat sources like heat pumps are more efficient when running on a low temperature supply, even as low as 35°C. The temperature of a modern heating system will be between 35°C and 60°C, which is precisely VENTO's optimal temperature range. Traditional central heating systems on the other hand run on water heated to 80°C. Lowering the temperature reduces your energy bill and your carbon emissions. And you help achieve the EU's goal of carbon neutrality by 2050.

### WHISPER IT: JUST PERFECT

The modulation system ensures you achieve your optimal temperature without needing a lot of technical knowledge. And you won't be disturbed by the ventilators that generate additional convection heat. While other classic systems usually have three settings, the VENTO convection technology has a modulating thermostat to ensure it reaches your desired temperature quickly and noiselessly. The VENTO only works at full tilt when the temperature in your home has fallen to a low level. In that case the sound pressure at 1 meter of a model measuring 600 mm by 1.000 mm is just 32dB(A), the level of a whisper. But that's not all, because when you use it with a heat pump set at no lower than 17°C you can also use a VENTO radiator to cool down your home. Homes are increasingly being well insulated, which increases the risk of overheating in the summer. The cooling kicks in automatically, generating a pleasant breeze.

### SMART AND USER-FRIENDLY

The fully automatic VENTO radiators work like any other radiator. There are no confusing operating panels or bewildering buttons. The temperature is regulated in the same way as in regular radiators, with a thermostatic valve with or without a room thermostat.

### EASY TO INSTALL

Gas condensation boiler, fuel oil boiler or (hybrid) heating pump. VENTO radiators can be easily connected to any heating source. A hybrid heating pump is clearly the best option. VENTO radiators are installed in the same way as traditional radiators. All you need is a free socket.

### NEWBUILD AND RENOVATION

VENTO radiators can be combined with all types of heat sources, which makes them suitable for newbuild or renovations. They are specially designed to connect to existing pipework. The Compact has four connections on the side. The Planar also has two lateral connections at the bottom. This makes this luxury radiator very suitable for renovations.

## General information

### NOVELLO ECO

Low-temperature panel radiator made from high-quality steel, with serial flow technology (hot water first flows through the front panel). This results in high energy efficiency, maximum radiation (even in low-temperature heating systems), faster heating rate and less waste of energy.

Product:	Stelrad low-temperature valve radiator with serial flow technology, both centre and lateral bottom connections and a preset valve insert, which can be fitted on the left or right side of the radiator upper grille and side panels
Finishing:	preset Heimeier 4368 or 4369 valve insert, ECO air vent and blind plugs
Pre-installed:	The integrated adjustable valve (without thermostatic head) is factory-fit on the right side of the radiator; CEN certified, tested in accordance with EN215 and compatible with thermostatic heads M30 x 1,5 mm. For types 21 – 22 – 33 can the valve insert can also be fitted on the left side of the radiator; a left version for a type 11 radiator is available on request.
Valve insert:	The thermostatic valve insert is factory-set in relation to the size of the radiator. This presetting ensures optimum throughput in the radiator. Factory setting for two-pipe systems, also suitable for one-pipe systems (as long as the valve insert is adjusted to position 8).
Also supplied:	VDI brackets with anti-lift (type Monclac), screws, plugs and installation instructions
Connections:	2 x 3/4" male Eurocone centre connection and 2 x 1/2" female lateral bottom connection Left version (types 21-22-33) only with 2 x 1/2" female lateral bottom connection.
Lugs:	2 pairs of mounting lugs up to 1.600 mm and 3 pairs from 1.800 mm
Packaging:	Every radiator is sturdily packaged in high-quality cardboard and wrapped in plastic. The radiator's characteristics are shown on the label: type – height – length.
Warranty:	10 years, as long as the installation instructions have been followed and Stelrad's warranty conditions have been met.
Paint process:	All radiators are degreased, phosphated, cataphoretically primed and powder-coated in Stelrad white 9016 as standard.
Colours:	Stelrad white 9016 + 35 different Stelrad colours and about 200 RAL-colours are possible
Heat cost allocator:	Suitable for heat cost allocators, both electronic and according to the evaporation principle (covered by the norm of EN834 & EN835).
Max. operating pressure:	10 bar (tested to 13 bar)
Max. operating temperature:	110 °C
Conformity:	in accordance with EN442
Quality assurance:	NF
Declaration of equivalence:	Bureau CRG and Kiwa
Types:	11   21   22   33
Heights:	300   400   500   600   700   900 mm
Lengths:	400 – 3.000 mm
Depths:	61   77   100   158 mm

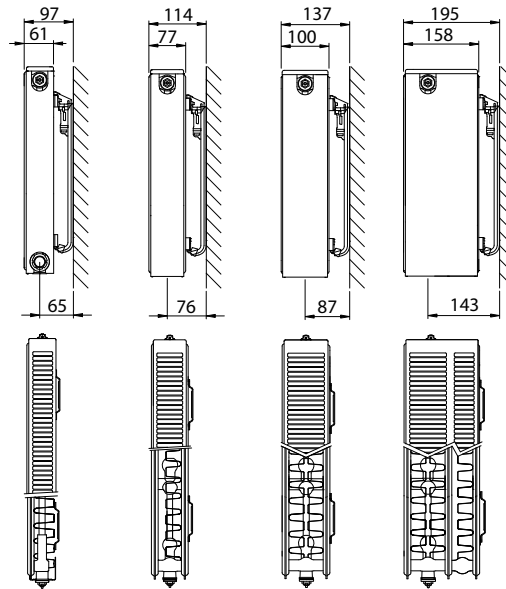


## Type overview

Calculation factor  
per meter  
at 75/65/20°C  
according to EN442

Characteristic equation:

$$\Phi = K_M \times \Delta T^n$$



Height		Type 11	Type 21	Type 22	Type 33	Height
300	W	509	744	933	1.347	300
	kg	9,31	14,30	16,50	24,70	
	l	1,89	3,80	3,70	5,20	
	m <sup>2</sup>	2,09	2,44	3,51	5,26	
	n	1,32	1,28	1,31	1,33	
400	W	676	927	1.173	1.686	400
	kg	12,78	18,83	21,83	32,63	
	l	2,34	4,80	4,77	6,80	
	m <sup>2</sup>	2,95	3,37	4,92	7,38	
	n	1,31	1,29	1,30	1,33	
500	W	833	1.107	1.401	2.007	500
	kg	16,24	23,37	27,17	40,57	
	l	2,80	5,80	5,83	8,40	
	m <sup>2</sup>	3,80	4,31	6,33	9,49	
	n	1,30	1,30	1,30	1,33	
600	W	980	1.287	1.617	2.313	600
	kg	19,70	27,90	32,50	48,50	
	l	3,25	6,80	6,90	10,00	
	m <sup>2</sup>	4,66	5,24	7,74	11,61	
	n	1,29	1,30	1,30	1,33	
700	W	1.117	1.467	1.824	2.607	700
	kg	22,90	32,70	38,07	57,00	
	l	3,77	7,57	7,63	11,25	
	m <sup>2</sup>	5,51	6,18	9,15	13,72	
	n	1,29	1,31	1,30	1,33	
900	W	1.360	1.836	2.220	3.180	900
	kg	29,30	42,30	49,20	74,00	
	l	4,80	9,10	9,10	13,75	
	m <sup>2</sup>	7,22	8,05	11,97	17,96	
	n	1,29	1,32	1,30	1,33	

W=heat output per meter / kg=weight per meter / l=content per meter / m<sup>2</sup>=surface per meter / n=exponent  
The manufacturer reserves the right to alter any of the specifications shown in this document without prior notice.

## NOVELLO ECO

Heat outputs in Watt according to EN442



**EN442 (W) 70/50/20°C**

**EN442 (W) 55/45/20°C**

**EN442 (W) 75/65/20°C**

Stelrad BV/PL 19/01/07/EO13

Height	300				
	Type	11	21	22	33
<b>400</b>		152	224	279	401
		104	155	191	274
		204	298	373	539
<b>500</b>		189	279	348	501
		129	193	239	342
		255	372	467	674
<b>600</b>		227	335	418	601
		155	232	287	410
		305	446	560	808
<b>700</b>		265	391	488	701
		181	271	335	479
		356	521	653	943
<b>800</b>		303	447	557	802
		207	309	383	547
		407	595	746	1.078
<b>900</b>		341	503	628	901
		233	348	431	615
		458	670	840	1.212
<b>1000</b>		379	559	697	1.002
		259	387	479	684
		509	744	933	1.347
<b>1100</b>		417	615	767	1.102
		285	425	527	752
		560	818	1.026	1.482
<b>1200</b>		455	671	837	1.202
		311	464	575	820
		611	893	1.120	1.616
<b>1400</b>		531	783	976	1.402
		363	542	670	957
		713	1.042	1.306	1.886
<b>1600</b>			894	1.116	1.602
			618	766	1.094
			1.190	1.493	2.155
<b>1800</b>			1.006	1.255	1.803
			696	862	1.231
			1.339	1.679	2.425
<b>2000</b>			1.118	1.394	2.003
			773	958	1.367
			1.488	1.866	2.694
<b>2200</b>			1.230	1.534	2.203
			851	1.054	1.504
			1.637	2.053	2.963
<b>2400</b>			1.342	1.673	2.404
			928	1.149	1.641
			1.786	2.239	3.233
<b>2600</b>				1.813	
				1.245	
				2.426	
<b>2800</b>				1.952	
				1.341	
				2.612	
<b>3000</b>				2.092	
				1.437	
				2.799	

400				
Type	11	21	22	33
	201	278	351	501
	138	192	241	342
	270	371	469	674
	252	348	438	627
	173	240	301	428
	338	464	587	843
	303	417	526	753
	208	288	362	514
	406	556	704	1.012
	353	487	614	877
	242	336	422	599
	473	649	821	1.180
	404	557	701	1.003
	277	384	482	685
	541	742	938	1.349
	454	626	789	1.128
	311	432	542	770
	608	834	1.056	1.517
	504	695	877	1.254
	346	480	602	856
	676	927	1.173	1.686
	555	765	964	1.379
	381	528	662	941
	744	1.020	1.290	1.855
	605	834	1.052	1.504
	415	576	723	1.027
	811	1.112	1.408	2.023
	706	974	1.227	1.755
	484	672	843	1.198
	946	1.298	1.642	2.360
	807	1.112	1.403	2.006
	554	768	964	1.369
	1.082	1.483	1.877	2.698
	908	1.252	1.578	2.257
	623	864	1.084	1.540
	1.217	1.669	2.111	3.035
	1.009	1.391	1.753	2.507
	692	960	1.205	1.711
	1.352	1.854	2.346	3.372
		1.529	1.929	2.758
		1.056	1.325	1.882
		2.039	2.581	3.709
		1.669	2.104	3.009
		1.152	1.446	2.053
		2.225	2.815	4.046
			2.280	
			1.566	
			3.050	
			2.455	
			1.686	
			3.284	
			2.630	
			1.807	
			3.519	

500				
Type	11	21	22	33
	249	332	419	597
	171	229	288	408
	333	443	560	803
	311	415	523	747
	214	286	360	510
	417	554	701	1.004
	374	497	629	895
	257	343	432	611
	500	664	841	1.204
	436	580	733	1.045
	300	400	504	713
	583	775	981	1.405
	498	664	838	1.194
	343	457	576	815
	666	886	1.121	1.606
	561	746	943	1.343
	386	514	648	917
	750	996	1.261	1.806
	623	829	1.047	1.492
	428	571	720	1.019
	833	1.107	1.401	2.007
	685	912	1.152	1.642
	471	628	792	1.121
	916	1.218	1.541	2.208
	748	995	1.257	1.791
	514	685	864	1.222
	1.000	1.328	1.681	2.408
	872	1.161	1.466	2.090
	600	800	1.007	1.426
	1.166	1.550	1.961	2.810
	997	1.326	1.676	2.388
	686	914	1.152	1.630
	1.333	1.771	2.242	3.211
	1.121	1.493	1.885	2.687
	771	1.028	1.296	1.834
	1.499	1.993	2.522	3.613
	1.246	1.658	2.095	2.985
	857	1.142	1.439	2.037
	1.666	2.214	2.802	4.014
	1.371	1.824	2.304	3.283
	943	1.256	1.583	2.241
	1.833	2.435	3.082	4.415
	1.495	1.990	2.513	3.582
	1.028	1.371	1.727	2.445
	1.999	2.657	3.362	4.817
			2.723	
			1.871	
			3.643	
			2.933	
			2.015	
			3.923	
			3.142	
			2.159	
			4.203	

Core assortment (Stelrad white 9016) available ex factory within 10 days.

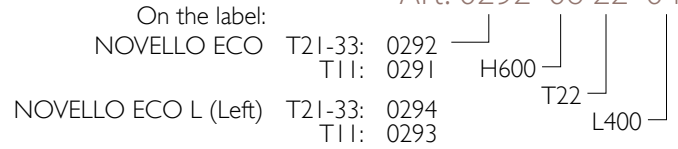
Core assortment is subject to change, please refer to [www.stelrad.eu](http://www.stelrad.eu) for the latest information.

Delivery time depends on the model, please refer to your distributor.



# NOVELLO ECO

Art. 0292 06 22 04



Height	600			
Type	11	21	22	33
<b>400</b>	294	385	484	688
	203	265	332	470
	392	515	647	925
<b>500</b>	367	482	604	860
	253	331	415	587
	490	644	809	1.157
<b>600</b>	441	577	725	1.032
	304	397	498	705
	588	772	970	1.388
<b>700</b>	514	674	846	1.204
	355	463	582	822
	686	901	1.132	1.619
<b>800</b>	588	770	967	1.376
	405	529	665	939
	784	1.030	1.294	1.850
<b>900</b>	661	866	1.088	1.548
	456	595	748	1.057
	882	1.158	1.455	2.082
<b>1000</b>	735	962	1.209	1.720
	507	662	831	1.174
	980	1.287	1.617	2.313
<b>1100</b>	808	1.059	1.330	1.892
	557	728	914	1.291
	1.078	1.416	1.779	2.544
<b>1200</b>	881	1.155	1.450	2.064
	608	794	997	1.409
	1.176	1.544	1.940	2.776
<b>1400</b>	1.028	1.347	1.693	2.408
	709	926	1.163	1.644
	1.372	1.802	2.264	3.238
<b>1600</b>	1.175	1.540	1.934	2.752
	810	1.058	1.329	1.879
	1.568	2.059	2.587	3.701
<b>1800</b>	1.322	1.733	2.176	3.096
	912	1.191	1.496	2.113
	1.764	2.317	2.911	4.163
<b>2000</b>	1.469	1.925	2.418	3.440
	1.013	1.323	1.662	2.348
	1.960	2.574	3.234	4.626
<b>2200</b>	1.616	2.117	2.659	3.784
	1.114	1.455	1.828	2.583
	2.156	2.831	3.557	5.089
<b>2400</b>	1.763	2.310	2.902	4.128
	1.216	1.588	1.994	2.818
	2.352	3.089	3.881	5.551
<b>2600</b>			3.143	
			2.160	
<b>2800</b>			4.204	
			3.385	
<b>3000</b>			2.327	
			4.528	
<b>3000</b>			3.627	
			2.493	
<b>3000</b>			4.851	

700			
11	21	22	33
335	438	546	776
231	301	375	529
447	587	730	1.043
418	548	682	970
288	376	469	662
559	734	912	1.304
502	657	818	1.163
346	451	562	794
670	880	1.094	1.564
586	767	955	1.357
404	526	656	926
782	1.027	1.277	1.825
670	876	1.091	1.551
462	601	750	1.059
894	1.174	1.459	2.086
753	985	1.228	1.745
519	676	844	1.191
1.005	1.320	1.642	2.346
837	1.095	1.364	1.939
577	751	938	1.323
1.117	1.467	1.824	2.607
921	1.205	1.500	2.133
635	827	1.031	1.456
1.229	1.614	2.006	2.868
1.004	1.314	1.637	2.326
693	901	1.125	1.588
1.340	1.760	2.189	3.128
1.172	1.533	1.910	2.714
808	1.052	1.313	1.853
1.564	2.054	2.554	3.650
1.339	1.752	2.182	3.102
924	1.202	1.500	2.117
1.787	2.347	2.918	4.171
1.507	1.972	2.455	3.490
1.039	1.353	1.688	2.382
2.011	2.641	3.283	4.693
1.674	2.190	2.728	3.878
1.155	1.503	1.875	2.647
2.234	2.934	3.648	5.214

900			
11	21	22	33
408	546	664	946
281	373	457	646
544	734	888	1.272
510	683	830	1.183
351	467	571	807
680	918	1.110	1.590
612	820	996	1.419
422	560	685	969
816	1.102	1.332	1.908
714	956	1.162	1.656
492	653	799	1.130
952	1.285	1.554	2.226
816	1.093	1.328	1.892
562	747	914	1.292
1.088	1.469	1.776	2.544
917	1.229	1.495	2.129
633	840	1.028	1.453
1.224	1.652	1.998	2.862
1.019	1.366	1.661	2.365
703	933	1.142	1.615
1.360	1.836	2.220	3.180
1.121	1.503	1.827	2.602
773	1.027	1.256	1.776
1.496	2.020	2.442	3.498
1.223	1.639	1.993	2.838
844	1.120	1.371	1.938
1.632	2.203	2.664	3.816
1.427	1.913	2.325	3.311
984	1.307	1.599	2.261
1.904	2.570	3.108	4.452
1.631	2.186	2.657	3.784
1.125	1.494	1.827	2.583
2.176	2.938	3.552	5.088
1.835	2.459	2.989	4.257
1.265	1.680	2.056	2.906
2.448	3.305	3.996	5.724
2.039	2.733	3.321	4.730
1.406	1.867	2.284	3.229
2.720	3.672	4.440	6.360

## General information

### HYGIENE ECO

Low-temperature panel radiator made from high-quality steel, with serial flow technology (water flows first through the front panel). This results in high energy efficiency, maximum radiation (even in low-temperature heating systems), faster heating rate and less waste of energy.

Product:	low-temperature valve radiator specifically developed for environments where hygiene and safety are all-important, with serial flow technology, both a centre and lateral bottom connections and a preset valve insert, which can be fitted on the left or right side of the radiator
Finishing:	without upper grille or side panels and without convection fins
Pre-installed:	preset Heimeier 4368 or 4369 valve insert, ECO air vent and blind plugs
Valve insert:	The integrated adjustable valve insert (without thermostatic head) is factory-fit on the right side of the radiator; CEN certified, tested in accordance with EN215 and compatible with thermostatic heads M30 x 1,5 mm. For types 20-30 the valve insert can also be fitted on the left side of the radiator; a left version for a type 10 radiator is available on request. The thermostatic valve insert is factory-set in relation to the size of the radiator. This presetting ensures optimum throughput in the radiator. Factory setting for two-pipe systems, also suitable for one-pipe systems (as long as the valve insert is adjusted to position 8).
Also supplied:	VDI brackets with anti-lift (type Monclac), screws, plugs and installation instructions
Connections:	2 x ¾" male Eurocone centre connection and 2 x ½" female lateral bottom connection. Left version (types 20-30) only with 2 x ½" female lateral bottom connection.
Lugs:	2 pairs of mounting lugs up to 1.600 mm and 3 pairs from 1.800 mm
Packaging:	Every radiator is sturdily packaged in high-quality cardboard and wrapped in plastic. The radiator's characteristics are shown on the label: type – height – length.
Warranty:	10 years, as long as the installation instructions have been followed and Stelrad's warranty conditions have been met.
Paint process:	All radiators are degreased, phosphated, cathodically primed and powder-coated in Stelrad white 9016 as standard.
Colours:	Stelrad white 9016 + 35 different Stelrad colours and about 200 RAL-colours are possible
Heat cost allocator:	Suitable for heat cost allocators, both electronic and according to the evaporation principle (covered by the norm of EN834 & EN835).
Max. operating pressure:	10 bar (tested to 13 bar)
Max. operating temperature:	110 °C
Conformity:	in accordance with EN442
Quality assurance:	Hygiene
Types:	10   20   30
Heights:	300   400   500   600   700   900 mm
Lengths:	400 – 3.000 mm
Depths:	47   77   158 mm

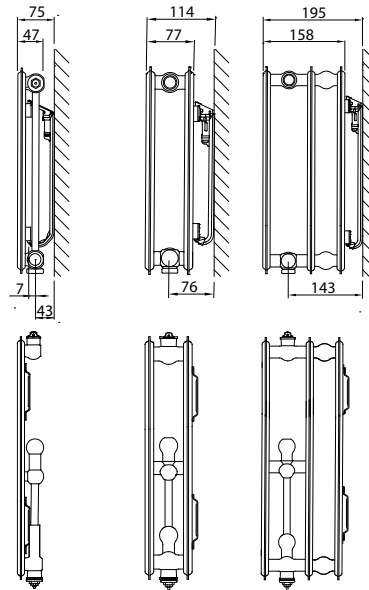


## Type overview

Calculation factor  
per meter  
at 75/65/20°C  
according to EN442

Characteristic equation:

$$\dot{\Phi} = K_M \times \Delta T^n$$



Height		Type 10	Type 20	Type 30	Height
300	W	338	585	867	300
	kg	6,17	11,57	17,80	
	l	1,89	3,71	5,50	
	m <sup>2</sup>	0,68	1,37	2,04	
	n	1,28	1,27	1,30	
400	W	430	732	1.074	400
	kg	8,22	15,35	23,27	
	l	2,34	4,71	7,07	
	m <sup>2</sup>	0,91	1,83	2,73	
	n	1,29	1,28	1,30	
500	W	521	879	1.275	500
	kg	10,28	19,12	28,73	
	l	2,80	5,70	8,63	
	m <sup>2</sup>	1,14	2,28	3,42	
	n	1,30	1,28	1,30	
600	W	610	1.023	1.470	600
	kg	12,33	22,90	34,20	
	l	3,25	6,70	10,20	
	m <sup>2</sup>	1,37	2,74	4,11	
	n	1,31	1,29	1,31	
700	W	699	1.167	1.659	700
	kg	14,19	26,83	40,10	
	l	3,77	7,57	11,33	
	m <sup>2</sup>	1,60	3,20	4,79	
	n	1,32	1,29	1,31	
900	W	877	1.458	2.034	900
	kg	17,90	34,70	51,90	
	l	4,80	9,30	13,60	
	m <sup>2</sup>	2,06	4,12	6,17	
	n	1,33	1,30	1,32	

W=heat output per meter / kg=weight per meter / l=content per meter / m<sup>2</sup>=surface per meter / n=exponent  
The manufacturer reserves the right to alter any of the specifications shown in this document without prior notice.

## HYGIENE ECO

Heat outputs in Watt according to EN442



**EN442 (W) 70/50/20°C**

**EN442 (W) 55/45/20°C**

**EN442 (W) 75/65/20°C**

Stelrad BV/PL 19/01/07/E013

Height	300		
	10	20	30
400		176	260
		122	179
		234	347
500	127	220	325
	88	153	224
	169	293	434
600	152	264	389
	105	183	268
	203	351	520
700	178	309	454
	123	214	313
	237	410	607
800	203	352	520
	140	245	358
	270	468	694
900	228	396	584
	158	275	402
	304	527	780
1000	254	441	649
	176	306	447
	338	585	867
1100	279	485	714
	193	336	492
	372	644	954
1200	305	529	779
	211	367	536
	406	702	1.040
1400	355	617	909
	246	428	626
	473	819	1.214
1600		705	1.038
		489	715
		936	1.387
1800		793	1.169
		550	805
		1.053	1.561
2000		881	1.298
		611	894
		1.170	1.734
2200		969	1.428
		672	983
		1.287	1.907
2400		1.057	1.558
		734	1.073
		1.404	2.081
2600		1.145	
		795	
		1.521	
2800		1.234	
		856	
		1.638	
3000		1.322	
		917	
		1.755	

400		
10	20	30
	220	322
	153	221
	293	430
161	275	402
111	191	276
215	366	537
193	330	482
133	229	331
258	439	644
226	385	563
155	267	387
301	512	752
258	441	643
178	305	442
344	586	859
290	496	723
200	343	498
387	659	967
322	551	804
222	381	553
430	732	1.074
354	605	884
244	419	608
473	805	1.181
387	660	964
267	457	663
516	878	1.289
451	771	1.125
311	534	774
602	1.025	1.504
516	881	1.285
355	610	884
688	1.171	1.718
580	991	1.446
400	687	995
774	1.318	1.933
644	1.101	1.607
444	763	1.106
860	1.464	2.148
	1.211	1.768
	839	1.216
	1.610	2.363
	1.321	1.929
	915	1.327
	1.757	2.578
	1.431	
	991	
	1.903	
	1.542	
	1.068	
	2.050	
	1.652	
	1.144	
	2.196	

500		
10	20	30
	264	381
	183	262
	352	510
194	331	477
134	229	328
261	440	638
234	396	572
161	274	393
313	527	765
273	462	667
188	319	458
365	615	893
312	528	763
214	365	524
417	703	1.020
351	594	858
241	411	590
469	791	1.148
389	660	953
268	457	655
521	879	1.275
428	726	1.048
294	502	720
573	967	1.403
467	793	1.144
321	548	786
625	1.055	1.530
545	925	1.334
375	639	917
729	1.231	1.785
623	1.056	1.525
428	730	1.048
834	1.406	2.040
701	1.188	1.716
482	822	1.179
938	1.582	2.295
779	1.321	1.906
535	913	1.310
1.042	1.758	2.550
857	1.453	2.097
589	1.005	1.441
1.146	1.934	2.805
934	1.585	2.288
642	1.096	1.572
1.250	2.110	3.060
	1.716	
	1.187	
	2.285	
	1.849	
	1.278	
	2.461	
	1.981	
	1.370	
	2.637	

# HYGIENE ECO

On the label:  
 HYGIENE ECO T20-30: 0692  
 T10: 0691  
 HYGIENE ECO L (Left) T20-30: 0690  
 T10: 0693

Art. 0692 09 20 04

Height	600		
Type	10	20	30
<b>400</b>		307 212 409	439 302 588
<b>500</b>	227 156 305	384 265 512	549 377 735
<b>600</b>	273 187 366	461 318 614	659 452 882
<b>700</b>	318 218 427	537 371 716	769 528 1.029
<b>800</b>	364 249 488	614 424 818	879 603 1.176
<b>900</b>	409 281 549	691 477 921	988 679 1.323
<b>1000</b>	455 312 610	768 530 1.023	1.098 754 1.470
<b>1100</b>	500 343 671	844 583 1.125	1.208 829 1.617
<b>1200</b>	546 374 732	921 636 1.228	1.318 905 1.764
<b>1400</b>	637 436 854	1.074 742 1.432	1.537 1.056 2.058
<b>1600</b>	728 499 976	1.228 848 1.637	1.757 1.206 2.352
<b>1800</b>	819 561 1.098	1.381 954 1.841	1.977 1.357 2.646
<b>2000</b>	910 623 1.220	1.535 1.060 2.046	2.196 1.508 2.940
<b>2200</b>	1.001 686 1.342	1.689 1.166 2.251	2.416 1.659 3.234
<b>2400</b>	1.092 748 1.464	1.842 1.272 2.455	2.636 1.810 3.528
<b>2600</b>		1.996 1.378 2.660	
<b>2800</b>		2.149 1.484 2.864	
<b>3000</b>		2.303 1.590 3.069	

700		
10	20	30
	350 241 467	496 340 664
261 178 350	488 302 584	620 425 830
312 214 419	525 362 700	743 510 995
364 249 489	612 422 817	867 595 1.161
416 285 559	700 482 934	991 680 1.327
469 321 629	787 542 1.050	1.115 765 1.493
521 356 699	874 603 1.167	1.238 850 1.659
573 392 769	962 663 1.284	1.362 935 1.825
625 428 839	1.049 723 1.400	1.486 1.020 1.991
729 499 979	1.224 844 1.634	1.734 1.190 2.323
833 570 1.118	1.399 964 1.867	1.981 1.359 2.654
937 641 1.258	1.574 1.085 2.101	2.229 1.529 2.986
1.041 712 1.398	1.749 1.206 2.334	2.477 1.699 3.318

900		
10	20	30
	436 299 583	607 415 814
325 222 439	545 374 729	758 519 1.017
391 267 526	654 449 875	909 623 1.220
456 311 614	763 524 1.021	1.061 727 1.424
522 356 702	872 599 1.166	1.213 830 1.627
586 400 789	981 674 1.312	1.365 935 1.831
652 444 877	1.090 749 1.458	1.516 1.038 2.034
717 489 965	1.199 824 1.604	1.667 1.142 2.237
782 533 1.052	1.308 899 1.750	1.820 1.246 2.441
913 622 1.228	1.526 1.048 2.041	2.123 1.454 2.848
1.043 711 1.403	1.744 1.198 2.333	2.426 1.661 3.254
1.173 800 1.579	1.961 1.348 2.624	2.729 1.868 3.661
1.303 889 1.754	2.180 1.497 2.916	3.032 2.076 4.068



## General information

EN442 (W) 70/50/20°C




EN442 (W) 55/45/20°C

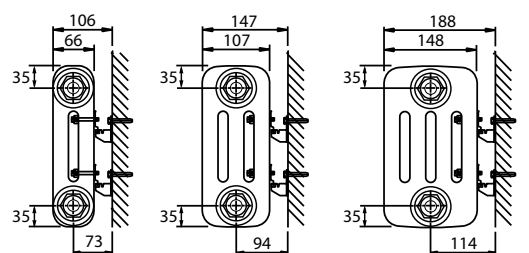
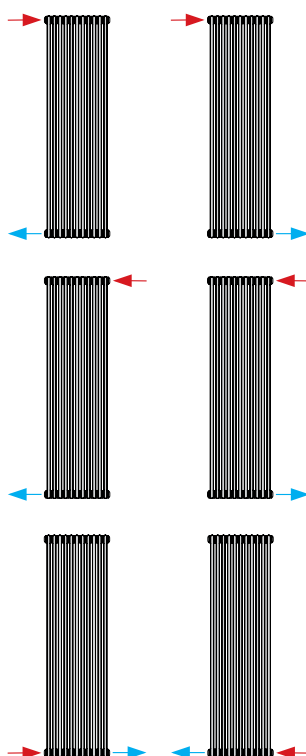
EN442 (W) 75/65/20°C

### COLUMN

The Column is the retro radiator with contemporary thermal comfort. The beautiful design comes into its own in both classic and modern interiors. The radiator is available in a horizontal and vertical version.

**Product:** column radiator with 4 connections  
**Also supplied:** Brackets with anti-lift, 4 pieces up to length 854 mm and 6 pieces from length 1.038 mm, screws, plugs, air vent, blind plug and installation instructions  
**Connections:** 4 x 1/2" female side connection.  
**Packaging:** Every radiator is sturdily wrapped in plastic. The radiator's characteristics are shown on the label: type – height – length.  
**Warranty:** 10 years, as long as the installation instructions have been followed and Stelrad's warranty conditions have been met.  
**Paint process:** All radiators are degreased, phosphated and powder-coated in Stelrad white 9016 as standard.  
**Colours:** Stelrad white 9016 + 35 different Stelrad colours and about 200 RAL-colours are possible  
**Max. operating pressure:** 10 bar (tested to 13 bar)  
**Max. operating temperature:** 110 °C  
**Conformity:** in accordance with EN442  
**Quality assurance:** NF  
**Number of columns:** 2 | 3 | 4  
**Heights:** 300 | 500 | 600 | 750 and 1.800 | 2.000 | 2.500 mm  
**Lengths:** 440 – 1.866 mm and 348 | 440 mm  
**Depths:** 66 | 107 | 148 mm

Height	H 1800	H 2000	H 2500	
<b>Columns</b>	2	2	2	
<b>Vertical version</b>				
<b>Length</b>				
<b>L 348</b>	W	666	742	939
	W	455	507	643
	W	894	996	1.261
	kg	18,2	20,3	25,2
	l	11,2	11,9	14,7
<b>L 440</b>	n	1,3205	1,3202	1,3194
	W	856	954	1.208
	W	585	652	826
	W	1.149	1.281	1.621
	kg	23,4	26,1	32,4
l	14,4	15,3	18,9	
n	1,3205	1,3202	1,3194	



# DESIGN RANGE



EN442 (W) 70/50/20°C  
 EN442 (W) 55/45/20°C  
 EN442 (W) 75/65/20°C



On the label:  
 COLUMN:

Art. 7006 0300 03 0440  
 7006 ┌──┐  
       └─┬─┘  
         H300  
         3 Columns ┌──┐  
                     └─┬─┘  
                       L440

Height	H 300		H 500			H 600			H 750		
Columns	3	4	2	3	4	2	3	4	3	4	
Horizontal version											
Length											
L 440	W	225	288		351	464		413	550		677
	W	157	201		244	323		287	382		469
	W	298	381		464	615		547	730		900
	kg	63	81		99	135		117	162		198
	l	5,4	7,2		7,2	9,9		9	10,8		13,5
	n	1,2495	1,2517		1,2585	1,2626		1,263	1,2681		1,2762
L 624	W	326	416	373	507	670	440	596	794		978
	W	227	290	260	353	466	306	415	552		677
	W	430	550	494	671	888	582	790	1.054		1.300
	kg	9,1	11,7	10,4	14,3	19,5	11,7	16,9	23,4		28,6
	l	7,8	10,4	7,8	10,4	14,3	9,1	13	15,6		19,5
	n	1,2495	1,2517	1,2553	1,2585	1,2626	1,2611	1,263	1,2681		1,2762
L 854	W	451	576	517	701	928	609	826	1.100	1.010	1.354
	W	315	402	360	488	645	423	574	764	701	938
	W	596	761	684	929	1.229	806	1.094	1.460	1.341	1.800
	kg	12,6	16,2	14,4	19,8	27	16,2	23,4	32,4	30,6	39,6
	l	10,8	14,4	10,8	14,4	19,8	12,6	18	21,6	19,8	27
	n	1,2495	1,2517	1,2553	1,2585	1,2626	1,2611	1,263	1,2681	1,2699	1,2762
L 1038	W	551	704	632	857	1.134	744	1.009	1.344	1.235	1.655
	W	385	491	440	597	788	518	702	934	857	1.146
	W	728	931	836	1.135	1.503	986	1.338	1.784	1.639	2.200
	kg	15,4	19,8	17,6	24,2	33	19,8	28,6	39,6	37,4	48,4
	l	13,2	17,6	13,2	17,6	24,2	15,4	22	26,4	24,2	33
	n	1,2495	1,2517	1,2553	1,2585	1,2626	1,2611	1,263	1,2681	1,2699	1,2762
L 1268	W	676	864	775	1.052	1.391	913	1.238	1.650	1.515	2.031
	W	472	603	540	733	968	635	861	1.146	1.051	1.407
	W	894	1.142	1.026	1.393	1.844	1.210	1.642	2.190	2.012	2.700
	kg	18,9	24,3	21,6	29,7	40,5	24,3	35,1	48,6	45,9	59,4
	l	16,2	21,6	16,2	21,6	29,7	18,9	27	32,4	29,7	40,5
	n	1,2495	1,2517	1,2553	1,2585	1,2626	1,2611	1,263	1,2681	1,2699	1,2762
L 1452	W	776			1.208			1.422		1.740	
	W	542			841			989		1.207	
	W	1.026			1.600			1.885		2.310	
	kg	21,7			34,1			40,3		52,7	
	l	18,6			24,8			31		34,1	
	n	1,2495			1,2585			1,263		1,2699	
L 1866	W	1.002			1.559			1.835		2.245	
	W	699			1.085			1.276		1.558	
	W	1.324			2.064			2.432		2.980	
	kg	28			44			52		68	
	l	24			32			40		44	
	n	1,2495			1,2585			1,263		1,2699	

Core assortment (Stelrad white 9016) available ex factory within 10 days.  
 Core assortment is subject to change, please refer to [www.stelrad.eu](http://www.stelrad.eu) for the latest information.  
 Delivery time depends on the model, please refer to your distributor.

## General information



Art. 7505 1800 01 0538  
 On the label: FLAT TUBE ON TUBE VERTICAL: 7505 — H1800 — L538

### HORTA VERTICAL

Its vertical lines leave no one untouched.

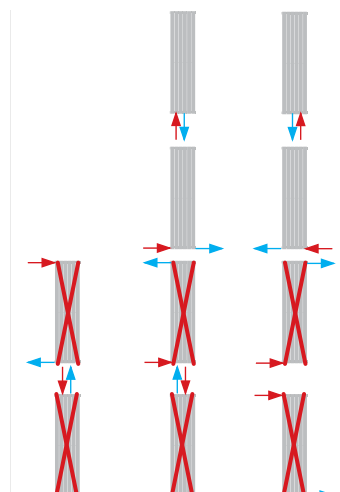
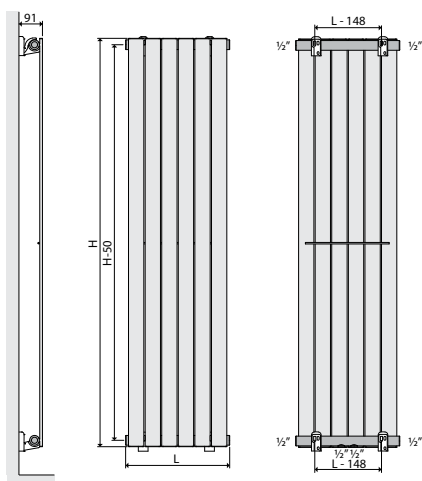
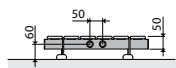
- Product:** Verona Vertical, vertical flat tube-on-tube design radiator
- Also supplied:** 4 white brackets (in chrome for any other radiator colour), anti-lift clip, bracket hidens, screws, plugs, design air vent and design blind plug, blind plugs and installation instructions
- Connections:** 4 x 1/2" female connection (centre connection included)
- Packaging:** Every radiator is sturdily packaged in high-quality cardboard and wrapped in plastic. The radiator's characteristics are shown on the label: height – length.
- Warranty:** 10 years, as long as the installation instructions have been followed, Stelrad's warranty conditions have been met and the radiator is installed outside the splash area.
- Paint process:** All radiators are degreased, phosphated and powder-coated in Stelrad white 9016 as standard.
- Colours:** Stelrad white 9016 + 35 different Stelrad colours and about 200 RAL-colours are possible
- Max. operating pressure:** 4 bar (tested to 5,2 bar)
- Max. operating temperature:** 95 °C
- Conformity:** in accordance with EN442
- Heights:** 1.600 | 1.800 | 2.000 mm
- Number of tubes:** 6 | 8 | 10 | 12
- Lengths:** 408 | 538 | 668 | 798 mm
- Tubes:** vertical, 60 x 10 mm flat section
- Collector:** horizontal, O-section, diameter 38 mm

- EN442 (W) 70/50/20°C**
- EN442 (W) 55/45/20°C**
- EN442 (W) 75/65/20°C**



Length		408	538	668	798
H1600	W	512	683	853	1.024
	W	350	467	584	701
	W	687	916	1.145	1.374
	kg	15,70	20,80	26,00	31,20
	l	4,70	6,30	7,80	9,40
	m <sup>2</sup>	1,46	1,94	2,42	2,91
	n	1,32	1,32	1,32	1,32
H1800	Tubes	6	8	10	12
	W	574	765	956	1.148
	W	393	524	655	786
	W	770	1.026	1.283	1.540
	kg	17,50	23,20	29,00	34,80
	l	5,20	6,90	8,60	10,40
	m <sup>2</sup>	1,63	2,17	2,71	3,25
H2000	n	1,32	1,32	1,32	1,32
	Tubes	6	8	10	12
	W	634	845	1.057	1.269
	W	434	579	724	869
	W	851	1.134	1.418	1.702
	kg	19,30	25,60	32,00	38,40
	l	5,70	7,60	9,50	11,40
	m <sup>2</sup>	1,79	2,39	2,99	3,58
	n	1,32	1,32	1,32	1,32
	Tubes	6	8	10	12

Stelrad BV/PL19/0107/E013



## General information



Art. 7004 1771 01 0450  
 On the label: FLAT TUBE ON TUBE HORIZONTAL: 7004 — HI1771 — L450

### ALMADA

A functional bathroom radiator with a prestigious image.

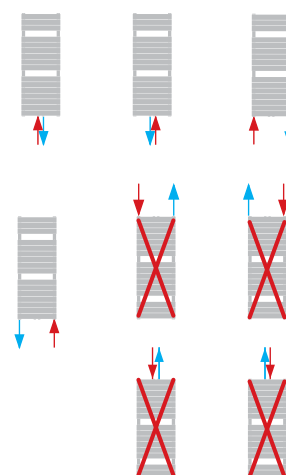
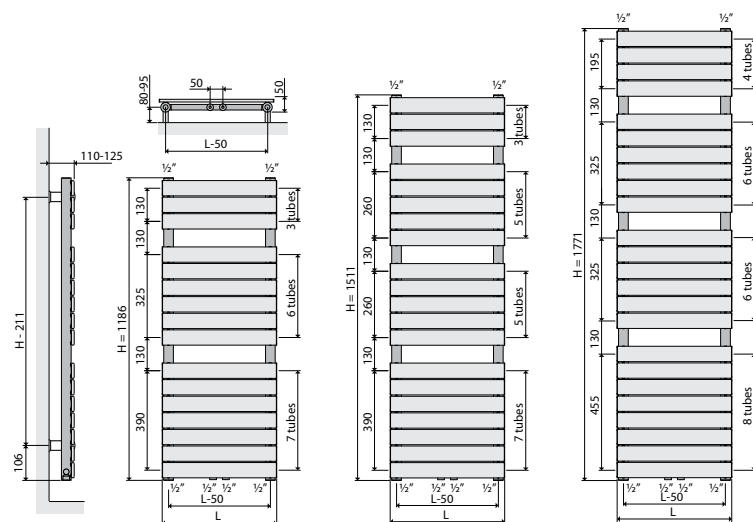
- Product:** Almada, vertical flat tube-on-tube design radiator  
**Also supplied:** 4 brackets, screws, plugs, air vent, blind plugs and installation instructions  
**Connections:** 4 x 1/2" female connection (centre connection included)  
**Packaging:** Every radiator is sturdily packaged in high-quality cardboard and wrapped in plastic. The radiator's characteristics are shown on the label: height – length.  
**Warranty:** 10 years, as long as the installation instructions have been followed, Stelrad's warranty conditions have been met and the radiator is installed outside the splash area.  
**Paint process:** All radiators are degreased, phosphated and powder-coated in Stelrad white 9016 as standard.  
**Colours:** Stelrad white 9016 + 35 different Stelrad colours and about 200 RAL-colours are possible  
**Max. operating pressure:** 4 bar (tested to 5,2 bar)  
**Max. operating temperature:** 95 °C  
**Conformity:** in accordance with EN442  
**Heights:** 1.186 | 1.511 | 1.771 mm  
**Number of tubes:** 16 | 20 | 24  
**Lengths:** 450 | 600 mm  
**Tubes:** horizontal, 60 x 10 mm flat section  
**Collector:** vertical, O-section, diameter 38 mm

EN442 (W)	70/50/20°C
EN442 (W)	55/45/20°C
EN442 (W)	75/65/20°C



	Length	450	600
HI 186	W	401	527
	W	280	370
	W	530	693
	kg	14,10	17,62
	l	5,20	6,15
	m <sup>2</sup>	1,32	1,65
HI 1511	n	1,25	1,23
	Tubes	16	16
	W	505	660
	W	354	464
	W	666	869
	kg	17,60	21,94
HI 1771	l	6,30	7,55
	m <sup>2</sup>	1,65	2,08
	n	1,24	1,23
	Tubes	20	20
	W	589	767
	W	413	538
HI 1771	W	777	1.010
	kg	20,98	26,07
	l	7,64	9,15
	m <sup>2</sup>	1,97	2,48
	n	1,24	1,23
	Tubes	24	24

Stelrad BV/PL19/0107/E013



## General information



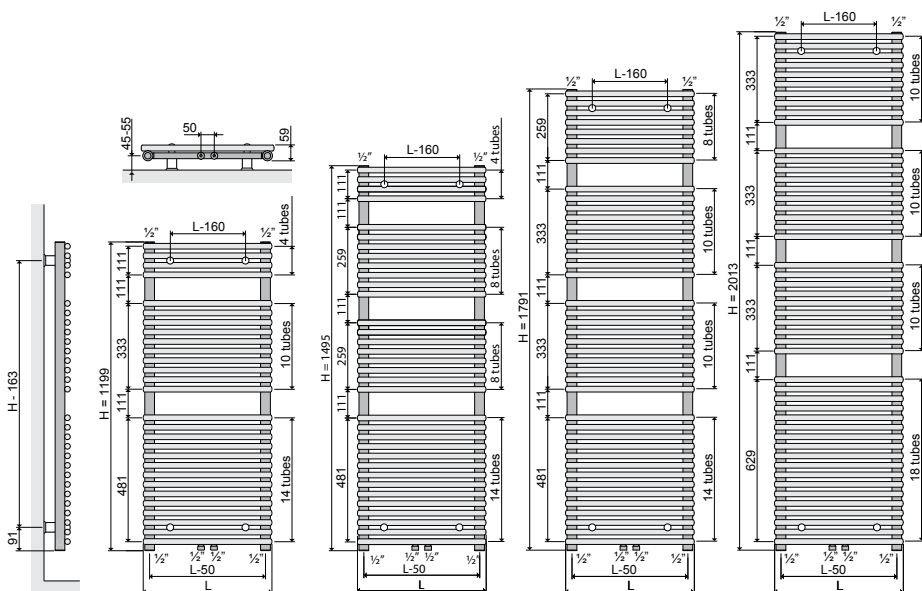
Art. 7001 1791 01 0500  
 On the label:  
 ROUND TUBE ON TUBE: 7001 — H1791 — SINGLE: 01 — L500

### GILIA SINGLE

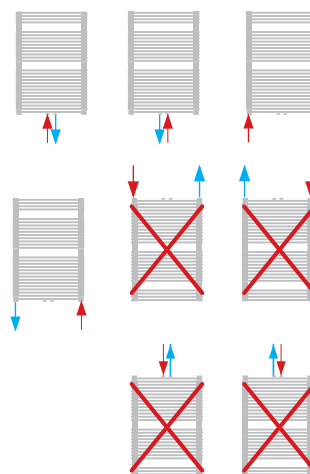
A contemporary and slick design for bathroom and kitchen.

- Product: Gilia Single, vertical round tube-on-tube design radiator
- Also supplied: 4 white brackets (in chrome for any other radiator colour), screws, plugs, air vent, blind plugs and installation instructions
- Connections: 4 x 1/2" female connection (centre connection included)
- Packaging: Every radiator is sturdily packaged in high-quality cardboard and wrapped in plastic. The radiator's characteristics are shown on the label: height – length.
- Warranty: 10 years, as long as the installation instructions have been followed, Stelrad's warranty conditions have been met and the radiator is installed outside the splash area.
- Paint process: All radiators are degreased, phosphated and powder-coated in Stelrad white 9016 as standard.
- Colours: Stelrad white 9016 + 35 different Stelrad colours and about 200 RAL-colours are possible
- Max. operating pressure: 6 bar (tested to 7,8 bar)
- Max. operating temperature: 95 °C
- Conformity: in accordance with EN442
- Heights: 1.199 | 1.495 | 1.791 | 2.013 mm
- Number of tubes: 28 | 34 | 42 | 48
- Lengths: 500 | 600 | 750 | 900 mm
- Tubes: horizontal, O-section, diameter 22 mm
- Collector: vertical, O-section, diameter 38 mm

- EN442 (W) 70/50/20°C**
- EN442 (W) 55/45/20°C**
- EN442 (W) 75/65/20°C**



Length	500	600	750	900	
H1199	W	516	609	749	
	W	365	433	536	
	W	675	794	972	
	kg	11,77	13,52	16,14	
	l	6,29	7,07	8,25	
	m <sup>2</sup>	1,28	1,47	1,76	
H1495	n	1,20	1,19	1,17	
	Tubes	28	28	28	
	W	636	747	915	
	W	450	529	651	
	W	833	976	1.192	
	kg	14,18	16,35	19,59	
H1791	l	7,80	8,80	10,30	
	m <sup>2</sup>	1,56	1,79	2,15	
	n	1,21	1,20	1,19	
	Tubes	34	34	34	
	W	750	885	1.089	1.297
	W	526	625	777	934
H2013	W	986	1.158	1.415	1.673
	kg	17,83	20,43	24,32	28,21
	l	9,35	10,54	12,33	14,12
	m <sup>2</sup>	1,91	2,20	2,64	3,07
	n	1,23	1,21	1,17	1,14
	Tubes	42	42	42	42
H2013	W	832	987	1.223	1.463
	W	582	696	874	1.061
	W	1.099	1.294	1.586	1.878
	kg	20,38	23,35	27,79	32,24
	l	10,68	12,05	14,09	16,14
	m <sup>2</sup>	2,18	2,51	3,01	3,50
H2013	n	1,24	1,21	1,17	1,12
	Tubes	48	48	48	48





# General information



Art. 7001 1791 02 0500  
 On the label:  
 ROUND TUBE ON TUBE: 7001  
 H1791  
 DOUBLE: 02  
 L500

## GILIA DOUBLE

The double version for unmatched comfort.

- Product:** Gilia Double, vertical round tube-on-tube design radiator
- Also supplied:** 4 white brackets (in chrome for any other radiator colour), screws, plugs, design air vent and design blind plug, blind plugs and installation instructions
- Connections:** 4 x 1/2" female connection (centre connection included)
- Packaging:** Every radiator is sturdily packaged in high-quality cardboard and wrapped in plastic. The radiator's characteristics are shown on the label: height – length.
- Warranty:** 10 years, as long as the installation instructions have been followed, Stelrad's warranty conditions have been met and the radiator is installed outside the splash area.
- Paint process:** All radiators are degreased, phosphated and powder-coated in Stelrad white 9016 as standard.
- Colours:** Stelrad white 9016 + 35 different Stelrad colours and about 200 RAL-colours are possible

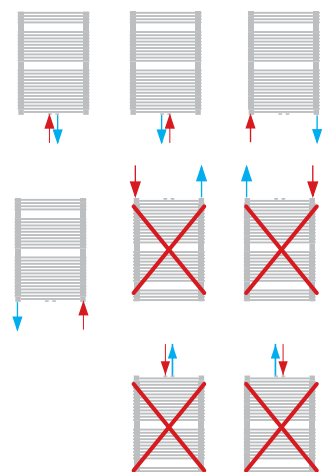
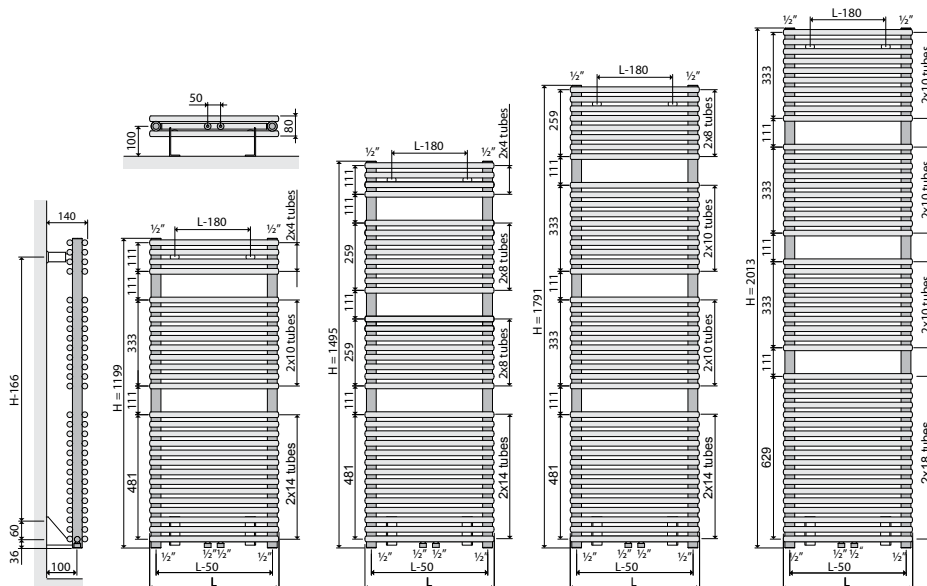
- EN442 (W) 70/50/20°C**
- EN442 (W) 55/45/20°C**
- EN442 (W) 75/65/20°C**



- Max. operating pressure:** 6 bar (tested to 7,8 bar)
- Max. operating temperature:** 95 °C
- Conformity:** in accordance with EN442
- Heights:** 1.199 | 1.495 | 1.791 | 2.013 mm
- Number of tubes:** 56 | 68 | 84 | 96
- Lengths:** 500 | 600 | 750 | 900 mm
- Tubes:** horizontal, O-section, diameter of 22 mm
- Collector:** vertical, O-section, diameter 38 mm

Length	500	600	750	900	
H1199	W	732	879	1.101	
	W	514	619	778	
	W	963	1.154	1.441	
	kg	21,14	24,61	29,82	
	l	11,18	12,95	15,59	
	m²	2,26	2,65	3,23	
H1495	W	894	1.071	1.338	
	W	625	752	946	
	W	1.179	1.408	1.751	
	kg	25,70	29,90	36,20	
	l	13,45	15,56	18,73	
	m²	2,76	3,23	3,93	
H1791	W	1.062	1.269	1.583	1.899
	W	743	891	1.118	1.350
	W	1.402	1.670	2.073	2.475
	kg	31,75	36,94	44,72	52,50
	l	16,62	19,23	23,13	27,04
	m²	3,39	3,97	4,85	5,72
H2013	W	1.194	1.424	1.772	2.123
	W	835	1.000	1.252	1.509
	W	1.576	1.874	2.321	2.768
	kg	36,14	42,01	50,82	59,63
	l	19,11	22,13	26,65	31,18
	m²	3,87	4,53	5,53	6,53
n	1,24	1,23	1,21	1,19	
Tubes	96	96	96	96	

Stelrad BV/PL19/0107/E013



## General information

### PLANAR SLIM ECO

The age of radiators being hidden came to a definite end with the arrival of the Planar Slim ECO. You'll actually want to highlight this radiator. The bi-colour design with a completely smooth front and recessed black upper grille and side panels gives the radiator an unrivalled look. Its high-quality finish offers you an attractive and warm radiator for years on end. Use it in combination with the Vertex Slim to create a light and spacious feel throughout your home.

Product:	decorative horizontal low-temperature valve radiator with serial flow technology, both a centre and lateral bottom connection and a preset valve insert, which can be fitted on the left or right side of the radiator
Finishing:	completely smooth design with a jointless front and recessed black upper grille and side panels
Pre-installed:	preset Heimeier 4368 valve insert, ECO air vent and blind plugs
Valve insert:	The integrated adjustable valve insert is factory-fit on the right side of the radiator; CEN certified, tested in accordance with EN215 and compatible with thermostatic heads M30 x 1,5 mm. The valve insert can also be fitted on the left of the ECO radiator. The thermostatic valve insert is factory-set in relation to the size of the radiator. This presetting ensures optimum throughput in the radiator. Factory setting for two-pipe systems, also suitable for one-pipe systems (as long as the valve insert is adjusted to position 8).
Also supplied:	design thermostatic head, valve insert spindle extension, wall brackets, saddle clips, screws, plugs and installation instructions
Connections:	2 x ¾" male Eurocone centre connection and 2 x ½" female lateral bottom connection
Lugs:	2 pairs of mounting lugs up to 1.600 mm and 3 pairs from 1.800 mm
Packaging:	Every radiator is sturdily packaged with protective foam-filled bags, in high-quality cardboard and wrapped in plastic. The radiator's characteristics are shown on the label: type – height – length.
Warranty:	10 years, as long as the installation instructions have been followed and Stelrad's warranty conditions have been met.
Paint process:	All radiators are degreased, phosphated, cathoretically primed and powder-coated in Stelrad SNI 70 black as standard.
Colours front panel:	Stelrad white 9016 + 35 different Stelrad colours and about 200 RAL-colours are possible
Colour side panels and upper grille:	SNI 70 black
Max. operating pressure:	10 bar (tested to 13 bar)
Max. operating temperature:	110 °C
Conformity:	in accordance with EN442
Types:	21   22
Heights:	545   645 mm
Lengths:	670   870   1.070   1.270   1.470   1.670   1.870   2.070 mm
Depths:	96   119 mm

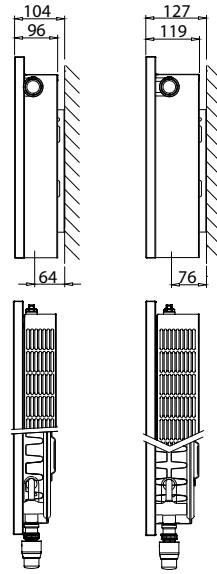


## Type overview

Calculation factor  
per nominal meter  
at 75/65/20°C  
according to EN442

Characteristic equation:

$$\Phi = K_M \times \Delta T^n$$



Height		Type 21	Type 22	Nominal Height
545	W	1.024	1.304	500
	kg	29,31	32,73	
	l	5,80	5,83	
	m <sup>2</sup>	4,31	6,33	
645	W	1.184	1.498	600
	kg	34,80	38,80	
	l	6,80	6,90	
	m <sup>2</sup>	5,24	7,74	
	n	1,31	1,30	

(remark: Nominal length = indicated length - 70 mm)

W=heat output per nom. meter / kg=weight per nom. Meter / l=content per nom. meter / m<sup>2</sup>=surface per nom. meter / n=exponent  
The manufacturer reserves the right to alter any of the specifications shown in this document without prior notice.

## Heat outputs according to EN442

**EN442 (W) 70/50/20°C**  
**EN442 (W) 55/45/20°C**  
**EN442 (W) 75/65/20°C**

Height	545		645		Height
	Type 21	Type 22	Type 21	Type 22	
<b>670</b>	460	587	531	672	<b>670</b>
	317	405	364	463	
	614	782	710	899	
<b>870</b>	613	782	708	897	<b>870</b>
	422	540	486	617	
	819	1.043	947	1.198	
<b>1070</b>	767	978	885	1.121	<b>1070</b>
	528	674	607	771	
	1.024	1.304	1.184	1.498	
<b>1270</b>	920	1.173	1.062	1.345	<b>1270</b>
	634	809	729	926	
	1.229	1.565	1.421	1.798	
<b>1470</b>	1.074	1.369	1.239	1.569	<b>1470</b>
	739	944	850	1.079	
	1.434	1.826	1.658	2.097	
<b>1670</b>	1.226	1.564	1.415	1.793	<b>1670</b>
	845	1.079	972	1.234	
	1.638	2.086	1.894	2.397	
<b>1870</b>	1.380	1.760	1.592	2.017	<b>1870</b>
	950	1.214	1.093	1.388	
	1.843	2.347	2.131	2.696	
<b>2070</b>	1.533	1.955	1.769	2.242	<b>2070</b>
	1.056	1.349	1.215	1.542	
	2.048	2.608	2.368	2.996	

Steelrad BV/PL19/0107/E013

Art. 0440 06 22 12  
On the label:  
SLIM ECO: 0440 H645 T22 L1270



## General information

### PLANAR ECO

The Planar ECO radiator unites design with our serial flow technology (water flows first through the front panel) and is perfectly suited for heating systems that work with low operating temperatures.

This ECO technology results in high energy efficiency, maximum radiation, faster heating rate and less waste of energy. The combination of this technology with the flat front, a design upper grille and side panels allows you to enjoy our green heat technology in style and luxury.

Product:	decorative Stelrad ECO valve radiator ideally suited for low-temperatures heating system and equipped with our serial flow technology, both a centre and lateral bottom connection, a preset valve insert (which can be fitted on the left or right side of the radiator) and with a decorative flat front
Finishing:	decorative flat front, upper grille and side panels
Pre-installed:	preset Heimeier 4368 or 4369 valve insert, ECO air vent and blind plugs
Valve insert:	The integrated adjustable valve insert (without thermostatic head) is factory-fit on the right side of the radiator, CEN certified, tested in accordance with EN215 and compatible with thermostatic heads M30 x 1,5 mm. The valve insert can also be fitted on the left side of the radiator. The thermostatic valve insert is factory-set in relation to the size of the radiator. This presetting ensures optimum throughput in the radiator. Factory setting for two-pipe systems, also suitable for one-pipe systems (as long as the valve insert is adjusted to position 8).
Also supplied:	VDI brackets with anti-lift (type Monclac), screws, plugs and installation instructions
Connections:	2 x ¾" male eurocone centre connection and 2 x ½" female lateral bottom connection
Lugs:	2 pairs of mounting lugs up to 1.600 mm and 3 pairs from 1.800 mm
Packaging:	Every radiator is sturdily packaged in high-quality cardboard and wrapped in plastic. The radiator's characteristics are shown on the label: type – height – length.
Warranty:	10 years, as long as the installation instructions have been followed and Stelrad's warranty conditions have been met.
Paint process:	All radiators are degreased, phosphated, cathoretically primed and powder-coated in Stelrad white 9016 as standard.
Colours:	Stelrad white 9016 + 35 different Stelrad colours and about 200 RAL-colours are possible
Max. operating pressure:	10 bar (tested to 13 bar)
Max. operating temperature:	110 °C
Conformity:	in accordance with EN442
Types:	11   21   22   33
Heights:	300   400   500   600   700   900 mm
Lengths:	400 – 3.000 mm
Depths:	63   79   102   160 mm

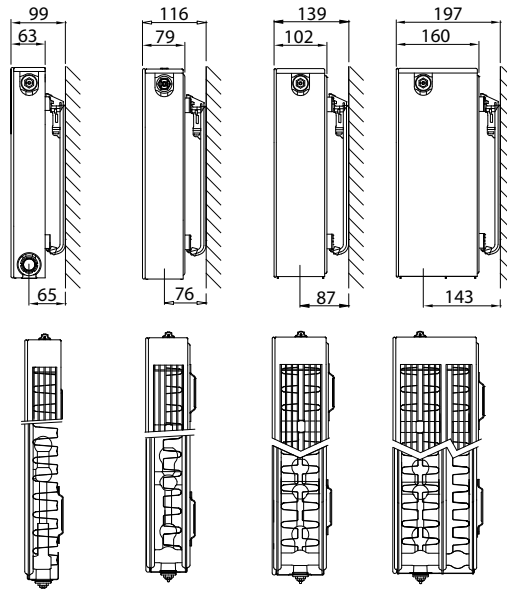


## Type overview

Calculation factor  
per meter  
at 75/65/20°C  
according to EN442

Characteristic equation:

$$\Phi = K_M \times \Delta T^n$$



Height		Type 11	Type 21	Type 22	Type 33	Height
300	W	469	705	887	1.259	300
	kg	11,88	16,63	18,85	26,45	
	l	1,89	3,29	2,90	4,35	
	m <sup>2</sup>	2,09	2,44	3,51	5,26	
	n	1,30	1,26	1,27	1,31	
400	W	626	886	1.117	1.587	400
	kg	16,13	21,95	24,95	35,12	
	l	2,34	4,11	3,88	5,82	
	m <sup>2</sup>	2,95	3,37	4,92	7,38	
	n	1,29	1,28	1,28	1,32	
500	W	774	1.053	1.333	1.893	500
	kg	20,39	27,28	31,05	43,78	
	l	2,80	4,93	4,87	7,28	
	m <sup>2</sup>	3,80	4,31	6,33	9,49	
	n	1,28	1,30	1,29	1,35	
600	W	911	1.208	1.537	2.180	600
	kg	24,65	32,60	37,15	52,45	
	l	3,25	5,75	5,85	8,75	
	m <sup>2</sup>	4,66	5,24	7,74	11,61	
	n	1,27	1,30	1,29	1,35	
700	W	1.038	1.353	1.732	2.452	700
	kg	28,91	37,85	42,82	61,13	
	l	3,77	6,63	6,73	10,19	
	m <sup>2</sup>	5,51	6,18	9,15	13,72	
	n	1,28	1,29	1,30	1,34	
900	W	1.260	1.616	2.096	2.952	900
	kg	37,43	48,35	54,15	78,50	
	l	4,80	8,40	8,50	13,06	
	m <sup>2</sup>	7,22	8,05	11,97	17,96	
	n	1,29	1,29	1,31	1,34	

W=heat output per meter / kg=weight per meter / l=content per meter / m<sup>2</sup>=surface per meter / n=exponent  
The manufacturer reserves the right to alter any of the specifications shown in this document without prior notice.

## PLANAR ECO

Heat outputs in Watt according to EN442



**EN442 (W) 70/50/20°C**

**EN442 (W) 55/45/20°C**

**EN442 (W) 75/65/20°C**

Stelrad BV/PL 19/01/07/E012

Height	300			
Type	11	21	22	33
<b>400</b>	141	213	267	376
	97	148	185	258
	188	282	355	504
<b>500</b>	175	265	334	470
	120	185	232	322
	235	353	444	630
<b>600</b>	210	319	400	563
	145	222	278	451
	281	423	532	755
<b>700</b>	245	373	467	657
	169	259	324	451
	328	494	621	881
<b>800</b>	280	425	534	751
	193	296	370	515
	375	564	710	1.007
<b>900</b>	316	478	601	845
	217	332	416	580
	422	635	798	1.133
<b>1000</b>	351	532	668	940
	241	370	463	644
	469	705	887	1.259
<b>1100</b>	386	585	735	1.034
	265	407	509	709
	516	776	976	1.385
<b>1200</b>	421	638	801	1.128
	290	443	555	773
	563	846	1.064	1.511
<b>1400</b>	491	744	935	1.316
	338	517	648	902
	657	987	1.242	1.763
<b>1600</b>		851	1.068	1.503
		591	740	1.030
		1.128	1.419	2.014
<b>1800</b>		957	1.202	1.691
		665	833	1.159
		1.269	1.597	2.266
<b>2000</b>		1.063	1.335	1.879
		739	926	1.288
		1.410	1.774	2.518
<b>2200</b>		1.170	1.468	2.067
		813	1.018	1.417
		1.551	1.951	2.770
<b>2400</b>		1.276	1.602	2.255
		887	1.111	1.546
		1.692	2.129	3.022
<b>2600</b>			1.736	
			1.203	
			2.306	
<b>2800</b>			1.870	
			1.296	
			2.484	
<b>3000</b>			2.003	
			1.388	
			2.661	

400			
11	21	22	33
187	266	336	473
129	185	232	323
250	354	447	635
235	333	419	591
162	231	290	404
313	443	559	794
282	400	504	709
194	277	348	484
376	532	670	952
328	466	588	827
226	323	407	565
438	620	782	1.111
376	533	672	945
259	370	465	646
501	709	894	1.270
422	600	755	1.063
291	415	523	726
563	797	1.005	1.428
469	667	839	1.181
324	462	581	807
626	886	1.117	1.587
516	733	924	1.300
356	508	639	888
689	975	1.229	1.746
563	800	1.007	1.417
388	554	697	969
751	1.063	1.340	1.904
657	933	1.175	1.654
453	646	813	1.130
876	1.240	1.564	2.222
751	1.067	1.343	1.890
518	739	929	1.292
1.002	1.418	1.787	2.539
845	1.200	1.511	2.127
583	831	1.046	1.453
1.127	1.595	2.011	2.857
939	1.333	1.679	2.363
647	924	1.162	1.615
1.252	1.772	2.234	3.174
	1.466	1.846	2.599
	1.016	1.278	1.776
	1.949	2.457	3.491
	1.599	2.015	2.835
	1.108	1.394	1.938
	2.126	2.681	3.809
		2.182	
		1.510	
		2.904	
		2.351	
		1.627	
		3.128	
		2.518	
		1.742	
		3.351	

500			
11	21	22	33
233	315	400	560
161	217	276	380
310	421	533	757
291	393	500	700
201	271	345	475
387	527	667	947
349	473	600	841
241	325	414	571
464	632	800	1.136
407	551	700	981
282	379	483	666
542	737	933	1.325
465	630	800	1.121
322	433	552	761
619	842	1.066	1.514
524	709	900	1.261
362	488	622	856
697	948	1.200	1.704
582	788	1.000	1.401
402	542	691	951
774	1.053	1.333	1.893
639	866	1.100	1.541
442	596	759	1.046
851	1.158	1.466	2.082
698	946	1.200	1.682
483	650	829	1.141
929	1.264	1.600	2.272
814	1.103	1.400	1.962
563	758	967	1.331
1.084	1.474	1.866	2.650
930	1.260	1.600	2.242
643	867	1.105	1.522
1.238	1.685	2.133	3.029
1.047	1.418	1.800	2.522
724	975	1.243	1.711
1.393	1.895	2.399	3.407
1.163	1.575	2.000	2.803
804	1.084	1.381	1.902
1.548	2.106	2.666	3.786
1.279	1.733	2.201	3.083
885	1.192	1.520	2.092
1.703	2.317	2.933	4.165
1.396	1.890	2.400	3.363
965	1.300	1.657	2.282
1.858	2.527	3.199	4.543
		2.601	
		1.796	
		3.466	
		2.800	
		1.933	
		3.732	
		3.000	
		2.072	
		3.999	

Core assortment (Stelrad white 9016) available ex factory within 10 days.

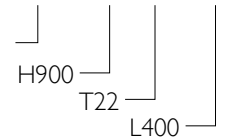
Core assortment is subject to change, please refer to [www.stelrad.eu](http://www.stelrad.eu) for the latest information.

Delivery time depends on the model, please refer to your distributor.

# PLANAR ECO

Art. 0541 09 22 04

On the label:  
PLAN ECO T11-33: 0541  
PLAN ECO L (Left) T11-33: 0442



Height	600			
Type	11	21	22	33
<b>400</b>	274	362	461	646
	190	249	318	439
	364	483	615	872
<b>500</b>	343	452	575	807
	238	311	397	548
	456	604	769	1.090
<b>600</b>	412	543	691	969
	286	374	476	658
	547	725	922	1.308
<b>700</b>	480	633	806	1.130
	333	436	556	767
	638	846	1.076	1.526
<b>800</b>	549	723	922	1.292
	381	498	635	877
	729	966	1.230	1.744
<b>900</b>	617	814	1.036	1.453
	428	560	714	987
	820	1.087	1.383	1.962
<b>1000</b>	686	904	1.152	1.615
	476	623	794	1.096
	911	1.208	1.537	2.180
<b>1100</b>	754	995	1.267	1.776
	523	685	873	1.206
	1.002	1.329	1.691	2.398
<b>1200</b>	823	1.085	1.382	1.937
	571	747	952	1.316
	1.093	1.450	1.844	2.616
<b>1400</b>	960	1.266	1.612	2.260
	666	871	1.111	1.535
	1.275	1.691	2.152	3.052
<b>1600</b>	1.098	1.447	1.842	2.583
	761	996	1.270	1.754
	1.458	1.933	2.459	3.488
<b>1800</b>	1.235	1.627	2.073	2.906
	857	1.120	1.429	1.973
	1.640	2.174	2.767	3.924
<b>2000</b>	1.372	1.809	2.303	3.229
	952	1.245	1.588	2.193
	1.822	2.416	3.074	4.360
<b>2200</b>	1.509	1.990	2.533	3.552
	1.047	1.370	1.746	2.412
	2.004	2.658	3.381	4.796
<b>2400</b>	1.646	2.170	2.764	3.875
	1.142	1.494	1.905	2.631
	2.186	2.899	3.689	5.232
<b>2600</b>			2.994	
			2.064	
			3.996	
<b>2800</b>			3.225	
			2.223	
			4.304	
<b>3000</b>			3.455	
			2.381	
			4.611	

700			
11	21	22	33
312	405	519	727
216	279	357	494
415	541	693	981
390	506	648	908
270	349	446	617
519	677	866	1.226
468	608	777	1.090
324	419	535	741
623	812	1.039	1.471
547	709	907	1.272
378	489	624	864
727	947	1.212	1.716
624	811	1.037	1.454
432	559	714	988
830	1.082	1.386	1.962
702	912	1.167	1.635
486	629	803	1.111
934	1.218	1.559	2.207
780	1.014	1.296	1.817
540	698	892	1.234
1.038	1.353	1.732	2.452
859	1.115	1.425	1.998
594	768	981	1.358
1.142	1.488	1.905	2.697
937	1.217	1.555	2.180
649	838	1.070	1.481
1.246	1.624	2.078	2.942
1.092	1.419	1.815	2.544
756	978	1.249	1.728
1.453	1.894	2.425	3.433
1.249	1.622	2.073	2.907
865	1.118	1.427	1.975
1.661	2.165	2.771	3.923
1.404	1.824	2.333	3.271
972	1.257	1.605	2.222
1.868	2.435	3.118	4.414
1.561	2.027	2.592	3.634
1.081	1.397	1.783	2.469
2.076	2.706	3.464	4.904

900			
11	21	22	33
378	485	625	876
261	335	429	596
504	646	838	1.181
472	606	782	1.095
326	418	536	745
630	808	1.048	1.476
567	728	939	1.314
391	502	644	894
756	970	1.258	1.771
661	849	1.095	1.532
456	586	751	1.042
882	1.131	1.467	2.066
756	970	1.251	1.752
521	670	858	1.192
1.008	1.293	1.677	2.362
850	1.091	1.407	1.971
586	753	965	1.341
1.134	1.454	1.886	2.657
945	1.212	1.564	2.189
651	837	1.072	1.489
1.260	1.616	2.096	2.952
1.039	1.334	1.721	2.408
717	921	1.180	1.638
1.386	1.778	2.306	3.247
1.133	1.455	1.877	2.627
782	1.004	1.287	1.787
1.512	1.939	2.515	3.542
1.322	1.697	2.189	3.065
912	1.172	1.501	2.085
1.764	2.262	2.934	4.133
1.511	1.940	2.503	3.503
1.042	1.339	1.716	2.383
2.016	2.586	3.354	4.723
1.700	2.182	2.816	3.941
1.173	1.507	1.930	2.681
2.268	2.909	3.773	5.314
1.889	2.425	3.128	4.379
1.303	1.674	2.145	2.979
2.520	3.232	4.192	5.904

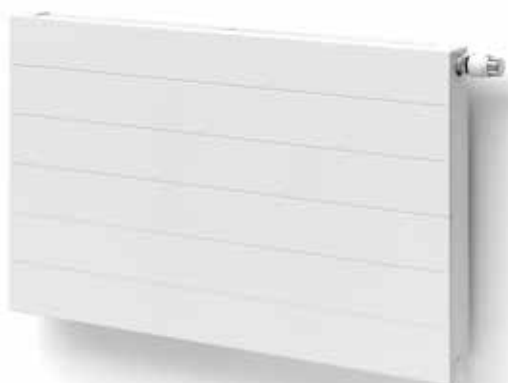
## General information

### PLANAR STYLE ECO

The Planar Style ECO radiator unites design with our serial flow technology (water flows first through the front panel) and is perfectly suited for heating systems that work with low operating temperatures.

This ECO technology results in high energy efficiency, maximum radiation, faster heating rate and less waste of energy towards the wall. Together with the symmetry of the horizontal lines of the stylish front panel the Planar Style ECO creates a pleasantly warm environment with the feeling of style and space.

Product:	decorative Stelrad ECO valve radiator ideally suited for low-temperatures heating system and equipped with our serial flow technology, both a centre and lateral bottom connection, a preset valve insert (which can be fitted on the left or right side of the radiator) and with a decorative stylish front
Finishing:	decorative stylish front, upper grille and side panels
Pre-installed:	preset Heimeier 4368 or 4369 valve insert, ECO air vent and blind plugs
Valve insert:	The integrated adjustable valve insert (without thermostatic head) is factory-fit on the right side of the radiator, CEN certified, tested in accordance with EN215 and compatible with thermostatic heads M30 x 1,5 mm. The valve insert can also be fitted on the left side of the radiator. The thermostatic valve insert is factory-set in relation to the size of the radiator. This presetting ensures optimum throughput in the radiator. Factory setting for two-pipe systems, also suitable for one-pipe systems (as long as the valve insert is adjusted to position 8).
Also supplied:	VDI brackets with anti-lift (type Monclac), screws, plugs and installation instructions
Connections:	2 x ¾" male eurocone centre connection and 2 x ½" female lateral bottom connection
Lugs:	2 pairs of mounting lugs up to 1.600 mm and 3 pairs from 1.800 mm
Packaging:	Every radiator is sturdily packaged in high-quality cardboard and wrapped in plastic. The radiator's characteristics are shown on the label: type – height – length.
Warranty:	10 years, as long as the installation instructions have been followed and Stelrad's warranty conditions have been met.
Paint process:	All radiators are degreased, phosphated, cataphoretically primed and powder-coated in Stelrad white 9016 as standard.
Colours:	Stelrad white 9016 + 35 different Stelrad colours and about 200 RAL-colours are possible
Max. operating pressure:	10 bar (tested to 13 bar)
Max. operating temperature:	110 °C
Conformity:	in accordance with EN442
Types:	11   21   22   33
Heights:	300   400   500   600   700   900 mm
Lengths:	400 – 2.000 mm
Depths:	63   79   102   160 mm



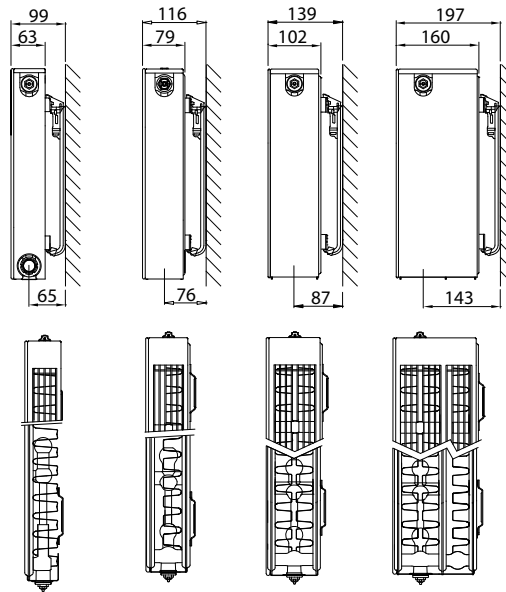


## Type overview

Calculation factor  
per meter  
at 75/65/20°C  
according to EN442

Characteristic equation:

$$\Phi = K_M \times \Delta T^n$$



Height		Type 11	Type 21	Type 22	Type 33	Height
300	W			887	1.259	300
	kg			18,85	26,45	
	l			2,90	4,35	
	m <sup>2</sup>			3,51	5,26	
	n			1,27	1,31	
400	W	626	886	1.117	1.587	400
	kg	16,13	21,95	24,95	35,12	
	l	2,34	4,11	3,88	5,82	
	m <sup>2</sup>	2,95	3,37	4,92	7,38	
	n	1,29	1,28	1,28	1,32	
500	W	774	1.053	1.333	1.893	500
	kg	20,39	27,28	31,05	43,78	
	l	2,80	4,93	4,87	7,28	
	m <sup>2</sup>	3,80	4,31	6,33	9,49	
	n	1,28	1,30	1,29	1,35	
600	W	911	1.208	1.537	2.180	600
	kg	24,65	32,60	37,15	52,45	
	l	3,25	5,75	5,85	8,75	
	m <sup>2</sup>	4,66	5,24	7,74	11,61	
	n	1,27	1,30	1,29	1,35	
700	W	1.038	1.353	1.732	2.452	700
	kg	28,91	37,85	42,82	61,13	
	l	3,77	6,63	6,73	10,19	
	m <sup>2</sup>	5,51	6,18	9,15	13,72	
	n	1,28	1,29	1,30	1,34	
900	W	1.260	1.616	2.096	2.952	900
	kg	37,43	48,35	54,15	78,50	
	l	4,80	8,40	8,50	13,06	
	m <sup>2</sup>	7,22	8,05	11,97	17,96	
	n	1,29	1,29	1,31	1,34	

W=heat output per meter / kg=weight per meter / l=content per meter / m<sup>2</sup>=surface per meter / n=exponent  
The manufacturer reserves the right to alter any of the specifications shown in this document without prior notice.

## PLANAR STYLE ECO

Heat outputs in Watt according to EN442



**EN442 (W) 70/50/20°C**

**EN442 (W) 55/45/20°C**

**EN442 (W) 75/65/20°C**

Stelrad BV/PL 19/01/07/E013

Height	300	
	22	33
<b>400</b>		
<b>500</b>	334 232 444	470 322 630
<b>600</b>		
<b>700</b>		
<b>800</b>	534 370 710	751 515 1.007
<b>900</b>	601 416 798	845 580 1.133
<b>1000</b>	668 463 887	940 644 1.259
<b>1200</b>	801 555 1.064	1.128 773 1.511
<b>1400</b>	935 648 1.242	1.316 902 1.763
<b>1600</b>	1.068 740 1.419	1.503 1.030 2.014
<b>1800</b>	1.202 833 1.597	1.691 1.159 2.266
<b>2000</b>	1.335 926 1.774	1.879 1.288 2.518

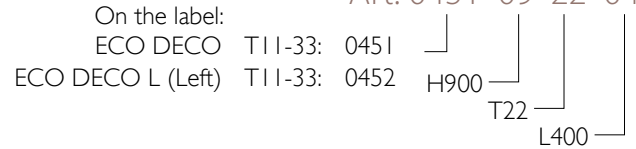
400			
11	21	22	33
235 162 313	333 231 443	419 290 559	591 404 794
282 194 376	400 277 532	504 348 670	709 484 952
328 226 438	466 323 620	588 407 782	827 565 1.111
376 259 501	533 370 709	672 465 894	945 646 1.270
422 291 563	600 415 797	755 523 1.005	1.063 726 1.428
469 324 626	667 462 886	839 581 1.117	1.181 807 1.587
563 388 751	800 554 1.063	1.007 697 1.340	1.417 969 1.904
657 453 876	933 646 1.240	1.175 813 1.564	1.654 1.130 2.222
751 518 1.002	1.067 739 1.418	1.343 929 1.787	1.890 1.292 2.539
845 583 1.127	1.200 831 1.595	1.511 1.046 2.011	2.127 1.453 2.857
939 647 1.252	1.333 924 1.772	1.679 1.162 2.234	2.363 1.615 3.174

500			
11	21	22	33
233 161 310	315 217 421	400 276 533	560 380 757
291 201 387	393 271 527	500 345 667	700 475 947
349 241 464	473 325 632	600 414 800	841 571 1.136
407 282 542	551 379 737	700 483 933	981 666 1.325
465 322 619	630 433 842	800 552 1.066	1.121 761 1.514
524 362 697	709 488 948	900 622 1.200	1.261 856 1.704
582 402 774	788 542 1.053	1.000 691 1.333	1.401 951 1.893
698 483 929	946 650 1.264	1.200 829 1.600	1.682 1.141 2.272
814 563 1.084	1.103 758 1.474	1.400 967 1.866	1.962 1.331 2.650
930 643 1.238	1.260 867 1.685	1.600 1.105 2.133	2.242 1.522 3.029
1.047 724 1.393	1.418 975 1.895	1.800 1.243 2.399	2.522 1.711 3.407
1.163 804 1.548	1.575 1.084 2.106	2.000 1.381 2.666	2.803 1.902 3.786

Core assortment (Stelrad white 9016) available ex factory within 10 days.  
Core assortment is subject to change, please refer to [www.stelrad.eu](http://www.stelrad.eu) for the latest information.  
Delivery time depends on the model, please refer to your distributor.

# PLANAR STYLE ECO

Art. 0451 09 22 04



Height	600			
Type	11	21	22	33
<b>400</b>	274	362	461	646
	190	249	318	439
	364	483	615	872
<b>500</b>	343	452	575	807
	238	311	397	548
	456	604	769	1.090
<b>600</b>	412	543	691	969
	286	374	476	658
	547	725	922	1.308
<b>700</b>	480	633	806	1.130
	333	436	556	767
	638	846	1.076	1.526
<b>800</b>	549	723	922	1.292
	381	498	635	877
	729	966	1.230	1.744
<b>900</b>	617	814	1.036	1.453
	428	560	714	987
	820	1.087	1.383	1.962
<b>1000</b>	686	904	1.152	1.615
	476	623	794	1.096
	911	1.208	1.537	2.180
<b>1200</b>	823	1.085	1.382	1.937
	571	747	952	1.316
	1.093	1.450	1.844	2.616
<b>1400</b>	960	1.266	1.612	2.260
	666	871	1.111	1.535
	1.275	1.691	2.152	3.052
<b>1600</b>	1.098	1.447	1.842	2.583
	761	996	1.270	1.754
	1.458	1.933	2.459	3.488
<b>1800</b>	1.235	1.627	2.073	2.906
	857	1.120	1.429	1.973
	1.640	2.174	2.767	3.924
<b>2000</b>	1.372	1.809	2.303	3.229
	952	1.245	1.588	2.193
	1.822	2.416	3.074	4.360

700			
11	21	22	33
312	405	519	727
216	279	357	494
415	541	693	981
390	506	648	908
270	349	446	617
519	677	866	1.226
468	608	777	1.090
324	419	535	741
623	812	1.039	1.471
547	709	907	1.272
378	489	624	864
727	947	1.212	1.716
624	811	1.037	1.454
432	559	714	988
830	1.082	1.386	1.962
702	912	1.167	1.635
486	629	803	1.111
934	1.218	1.559	2.207
780	1.014	1.296	1.817
540	698	892	1.234
1.038	1.353	1.732	2.452
937	1.217	1.555	2.180
649	838	1.070	1.481
1.246	1.624	2.078	2.942
1.092	1.419	1.815	2.544
756	978	1.249	1.728
1.453	1.894	2.425	3.433
1.249	1.622	2.073	2.907
865	1.118	1.427	1.975
1.661	2.165	2.771	3.923
1.404	1.824	2.333	3.271
972	1.257	1.605	2.222
1.868	2.435	3.118	4.414
1.561	2.027	2.592	3.634
1.081	1.397	1.783	2.469
2.076	2.706	3.464	4.904

900			
11	21	22	33
378	485	625	876
261	335	429	596
504	646	838	1.181
472	606	782	1.095
326	418	536	745
630	808	1.048	1.476
567	728	939	1.314
391	502	644	894
756	970	1.258	1.771
661	849	1.095	1.532
456	586	751	1.042
882	1.131	1.467	2.066
756	970	1.251	1.752
521	670	858	1.192
1.008	1.293	1.677	2.362
850	1.091	1.407	1.971
586	753	965	1.341
1.134	1.454	1.886	2.657
945	1.212	1.564	2.189
651	837	1.072	1.489
1.260	1.616	2.096	2.952
1.133	1.455	1.877	2.627
782	1.004	1.287	1.787
1.512	1.939	2.515	3.542
1.322	1.697	2.189	3.065
912	1.172	1.501	2.085
1.764	2.262	2.934	4.133
1.511	1.940	2.503	3.503
1.042	1.339	1.716	2.383
2.016	2.586	3.354	4.723
1.700	2.182	2.816	3.941
1.173	1.507	1.930	2.681
2.268	2.909	3.773	5.314
1.889	2.425	3.128	4.379
1.303	1.674	2.145	2.979
2.520	3.232	4.192	5.904

## General information

### PLANAR 8

The Planar 8 is with a flat front, perfectly fitting side panels and upper grille a decorative radiator with a timeless design. Furthermore you have, thanks to the 4 side- and 4 bottom connections, a variety of connection possibilities. This makes the Planar 8 easy to install and applicable in about every situation. In addition, it offers a uniform wall distance of 65 mm for all types at the centre connection.

Product:	decorative valve radiator with a flat front and 8 connections
Finishing:	decorative flat front, upper grille and side panels
Pre-installed:	preset valve insert, air vent and blind plugs
Valve insert:	The integrated adjustable valve insert (without thermostatic head) is factory-fit on the right side of the radiator, tested in accordance with EN215 and compatible with thermostatic heads M30 x 1,5 mm. The thermostatic valve insert is factory-set in relation to the size of the radiator. This presetting ensures optimum throughput in the radiator. Factory setting for two-pipe systems, also suitable for one-pipe systems (as long as the valve insert is adjusted to position 8).
Also supplied:	Monclac brackets with anti-lift (VDI compliant when used in combination with included anti-slide clips), screws, plugs and installation instructions
Connections:	4 x 3/4" male Eurocone bottom connection (2 x centre and 2 x lateral) and 4 x 1/2" female side connection. Uniform wall distance of 65 mm for all types at the centre connection. Left-hand version of types 21-33 available on request. This changes the distance of 65 mm between the centre connection and the wall for types 22 and 33.
Lugs:	Type 11 is equipped with 2 pairs of mounting lugs up to 1.600 mm and 3 pairs from 1.800 mm
Packaging:	Every radiator is sturdily packaged in high-quality cardboard and wrapped in plastic. The radiator's characteristics are shown on the label: type – height – length.
Warranty:	10 years, as long as the installation instructions have been followed and Stelrad's warranty conditions have been met.
Paint process:	All radiators are degreased, phosphated, cathoretically primed and powder-coated in Stelrad white 9016 as standard.
Colours:	Stelrad white 9016 + 35 different Stelrad colours and about 200 RAL-colours are possible
Max. operating pressure:	10 bar (tested to 13 bar)
Max. operating temperature:	110 °C
Conformity:	in accordance with EN442
Quality assurance:	NF
Types:	11   21   22   33
Heights:	300   400   500   600   700   900 mm
Lengths:	400 – 3.000 mm
Depths:	63   79   102   160 mm



2018

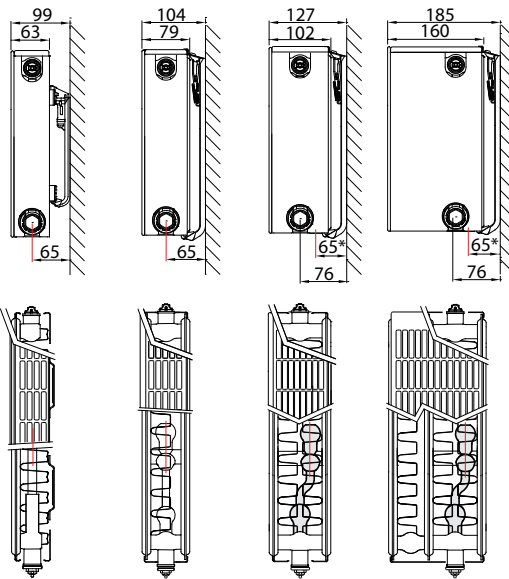
## Type overview

Calculation factor  
per meter  
at 75/65/20°C  
according to EN442

Characteristic equation:

$$\Phi = K_M \times \Delta T^n$$

\* centre connection only



Height		Type 11	Type 21	Type 22	Type 33	Centre distance
300	W	469	706	929	1.346	250
	kg	11,88	16,86	19,60	28,00	
	l	1,89	3,70	3,70	5,40	
	m <sup>2</sup>	2,09	2,44	3,51	5,26	
	n	1,30	1,32	1,30	1,31	
400	W	626	889	1.177	1.690	350
	kg	16,13	22,87	26,40	38,13	
	l	2,34	4,67	4,67	6,87	
	m <sup>2</sup>	2,95	3,37	4,92	7,38	
	n	1,29	1,32	1,30	1,32	
500	W	774	1.062	1.411	2.017	450
	kg	20,39	28,89	33,20	48,27	
	l	2,80	5,63	5,63	8,33	
	m <sup>2</sup>	3,80	4,31	6,33	9,49	
	n	1,28	1,32	1,31	1,33	
600	W	911	1.227	1.634	2.332	550
	kg	24,65	34,90	40,00	58,40	
	l	3,25	6,60	6,60	9,80	
	m <sup>2</sup>	4,66	5,24	7,74	11,61	
	n	1,27	1,32	1,32	1,34	
700	W	1.038	1.387	1.848	2.637	650
	kg	28,91	40,91	46,80	68,53	
	l	3,77	7,63	7,63	11,37	
	m <sup>2</sup>	5,51	6,18	9,15	13,72	
	n	1,28	1,32	1,33	1,34	
900	W	1.260	1.690	2.251	3.225	850
	kg	37,43	52,94	60,40	88,80	
	l	4,80	9,70	9,70	14,50	
	m <sup>2</sup>	7,22	8,05	11,97	17,96	
	n	1,29	1,31	1,35	1,34	

W=heat output per meter / kg=weight per meter / l=content per meter / m<sup>2</sup>=surface per meter / n=exponent  
The manufacturer reserves the right to alter any of the specifications shown in this document without prior notice.

## PLANAR 8

Heat outputs in Watt according to EN442



**EN442 (W) 70/50/20°C**

**EN442 (W) 55/45/20°C**

**EN442 (W) 75/65/20°C**

Stelrad BV/PL 19/01/07/E013

Height	300			
	11	21	22	33
<b>400</b>	141	210	279	401
	97	144	192	275
	188	282	372	538
<b>500</b>	175	263	347	502
	120	180	239	344
	235	353	465	673
<b>600</b>	210	316	417	603
	145	216	287	413
	281	424	557	808
<b>700</b>	245	368	487	703
	169	252	335	482
	328	494	650	942
<b>800</b>	280	421	556	804
	193	288	383	551
	375	565	743	1.077
<b>900</b>	316	473	626	904
	217	324	431	619
	422	635	836	1.211
<b>1000</b>	351	526	696	1.004
	241	360	479	689
	469	706	929	1.346
<b>1100</b>	386	579	765	1.105
	265	397	527	758
	516	777	1.022	1.481
<b>1200</b>	421	631	835	1.205
	290	432	575	826
	563	847	1.115	1.615
<b>1400</b>	491	737	974	1.406
	338	504	671	964
	657	988	1.301	1.884
<b>1600</b>		842	1.113	1.607
		577	767	1.102
		1.130	1.486	2.154
<b>1800</b>		948	1.252	1.808
		649	863	1.239
		1.271	1.672	2.423
<b>2000</b>		1.053	1.391	2.009
		721	958	1.377
		1.412	1.858	2.692
<b>2200</b>		1.158	1.531	2.209
		793	1.054	1.515
		1.553	2.044	2.961
<b>2400</b>		1.263	1.670	2.410
		865	1.150	1.652
		1.694	2.230	3.230
<b>2600</b>			1.809	
			1.246	
			2.415	
<b>2800</b>			1.948	
			1.342	
			2.601	
<b>3000</b>			2.087	
			1.438	
			2.787	

400			
11	21	22	33
187	265	352	503
129	182	242	344
250	356	471	676
235	331	440	629
162	226	302	430
313	445	589	845
282	397	528	755
194	272	363	516
376	533	706	1.014
328	463	616	881
226	317	423	602
438	622	824	1.183
376	530	704	1.007
259	363	484	688
501	711	942	1.352
422	596	792	1.132
291	408	544	774
563	800	1.059	1.521
469	662	880	1.258
324	453	605	860
626	889	1.177	1.690
516	729	968	1.384
356	499	665	946
689	978	1.295	1.859
563	795	1.055	1.510
388	544	725	1.032
751	1.067	1.412	2.028
657	928	1.232	1.761
453	635	847	1.204
876	1.245	1.648	2.366
751	1.060	1.408	2.013
518	725	967	1.376
1.002	1.422	1.883	2.704
845	1.192	1.584	2.265
583	816	1.088	1.548
1.127	1.600	2.119	3.042
939	1.325	1.760	2.516
647	907	1.209	1.720
1.252	1.778	2.354	3.380
	1.457	1.935	2.768
	997	1.330	1.892
	1.956	2.589	3.718
	1.590	2.112	3.020
	1.088	1.451	2.064
	2.134	2.825	4.056
		2.287	
		1.572	
		3.060	
		2.464	
		1.693	
		3.296	
		2.639	
		1.814	
		3.531	

500			
11	21	22	33
233	317	421	599
161	216	289	409
310	425	564	807
291	395	527	749
201	270	361	510
387	531	706	1.009
349	474	632	899
241	324	433	613
464	637	847	1.210
407	553	737	1.049
282	378	505	715
542	743	988	1.412
465	633	842	1.199
322	433	578	817
619	850	1.129	1.614
524	712	948	1.348
362	487	650	919
697	956	1.270	1.815
582	791	1.053	1.498
402	541	722	1.021
774	1.062	1.411	2.017
639	870	1.158	1.648
442	595	794	1.123
851	1.168	1.552	2.219
698	949	1.263	1.798
483	649	866	1.225
929	1.274	1.693	2.420
814	1.107	1.474	2.098
563	757	1.010	1.430
1.084	1.487	1.975	2.824
930	1.265	1.685	2.397
643	865	1.155	1.634
1.238	1.699	2.258	3.227
1.047	1.424	1.895	2.697
724	974	1.299	1.838
1.393	1.912	2.540	3.631
1.163	1.582	2.106	2.996
804	1.082	1.444	2.042
1.548	2.124	2.822	4.034
1.279	1.740	2.316	3.296
885	1.190	1.588	2.246
1.703	2.336	3.104	4.437
1.396	1.898	2.526	3.596
965	1.298	1.732	2.451
1.858	2.549	3.386	4.841
		2.738	
		1.877	
		3.669	
		2.948	
		2.021	
		3.951	
		3.158	
		2.165	
		4.233	

Core assortment (Stelrad white 9016) available ex factory within 10 days.  
 Core assortment is subject to change, please refer to [www.stelrad.eu](http://www.stelrad.eu) for the latest information.  
 Delivery time depends on the model, please refer to your distributor.

# PLANAR 8

On the label:  
8-CONNECTIONS PLAN  
8-CONNECTIONS PLAN L (Left)

Art. 0652 09 22 04

T21-33: 0652  
T11: 0651  
T21-33: 0650

Height	600			
Type	11	21	22	33
<b>400</b>	274	365	487	691
	190	250	333	470
	364	491	654	933
<b>500</b>	343	457	608	864
	238	312	416	587
	456	614	817	1.166
<b>600</b>	412	548	730	1.037
	286	374	499	705
	547	736	980	1.399
<b>700</b>	480	639	852	1.209
	333	437	583	822
	638	859	1.144	1.632
<b>800</b>	549	731	973	1.383
	381	500	666	940
	729	982	1.307	1.866
<b>900</b>	617	822	1.096	1.556
	428	562	749	1.057
	820	1.104	1.471	2.099
<b>1000</b>	686	913	1.217	1.728
	476	624	832	1.174
	911	1.227	1.634	2.332
<b>1100</b>	754	1.005	1.338	1.901
	523	687	915	1.292
	1.002	1.350	1.797	2.565
<b>1200</b>	823	1.096	1.460	2.074
	571	749	999	1.409
	1.093	1.472	1.961	2.798
<b>1400</b>	960	1.279	1.704	2.420
	666	874	1.165	1.644
	1.275	1.718	2.288	3.265
<b>1600</b>	1.098	1.461	1.947	2.765
	761	999	1.331	1.879
	1.458	1.963	2.614	3.731
<b>1800</b>	1.235	1.644	2.190	3.111
	857	1.124	1.498	2.114
	1.640	2.209	2.941	4.198
<b>2000</b>	1.372	1.827	2.434	3.457
	952	1.249	1.665	2.349
	1.822	2.454	3.268	4.664
<b>2200</b>	1.509	2.009	2.677	3.802
	1.047	1.373	1.831	2.584
	2.004	2.699	3.595	5.130
<b>2400</b>	1.646	2.192	2.921	4.148
	1.142	1.498	1.998	2.819
	2.186	2.945	3.922	5.597
<b>2600</b>			3.164	
			2.164	
			4.248	
<b>2800</b>			3.407	
			2.330	
			4.575	
<b>3000</b>			3.651	
			2.497	
			4.902	

700			
11	21	22	33
312	413	549	782
216	283	374	531
415	555	739	1.055
390	517	686	977
270	354	468	664
519	694	924	1.319
468	620	824	1.172
324	424	562	796
623	832	1.109	1.582
547	723	961	1.368
378	495	655	929
727	971	1.294	1.846
624	827	1.098	1.563
432	566	749	1.062
830	1.110	1.478	2.110
702	930	1.235	1.758
486	636	842	1.195
934	1.248	1.663	2.373
780	1.033	1.373	1.954
540	707	936	1.328
1.038	1.387	1.848	2.637
859	1.137	1.510	2.150
594	778	1.030	1.461
1.142	1.526	2.033	2.901
937	1.239	1.648	2.344
649	848	1.123	1.593
1.246	1.664	2.218	3.164
1.092	1.447	1.922	2.736
756	989	1.310	1.859
1.453	1.942	2.587	3.692
1.249	1.653	2.197	3.126
865	1.131	1.498	2.124
1.661	2.219	2.957	4.219
1.404	1.860	2.471	3.517
972	1.272	1.684	2.390
1.868	2.497	3.326	4.747
1.561	2.066	2.746	3.908
1.081	1.413	1.872	2.655
2.076	2.774	3.696	5.274

900			
11	21	22	33
378	504	665	956
261	345	451	649
504	676	900	1.290
472	630	832	1.194
326	432	564	811
630	845	1.126	1.613
567	756	999	1.433
391	518	676	973
756	1.014	1.351	1.935
661	882	1.165	1.673
456	605	789	1.136
882	1.183	1.576	2.258
756	1.008	1.331	1.911
521	691	902	1.298
1.008	1.352	1.801	2.580
850	1.134	1.498	2.150
586	777	1.014	1.460
1.134	1.521	2.026	2.903
945	1.260	1.664	2.389
651	864	1.127	1.622
1.260	1.690	2.251	3.225
1.039	1.386	1.830	2.628
717	950	1.240	1.785
1.386	1.859	2.476	3.548
1.133	1.513	1.997	2.867
782	1.036	1.352	1.947
1.512	2.028	2.701	3.870
1.322	1.765	2.329	3.344
912	1.209	1.578	2.271
1.764	2.366	3.151	4.515
1.511	2.017	2.662	3.822
1.042	1.382	1.803	2.596
2.016	2.704	3.602	5.160
1.700	2.269	2.995	4.300
1.173	1.554	2.029	2.920
2.268	3.042	4.052	5.805
1.889	2.521	3.328	4.778
1.303	1.727	2.254	3.245
2.520	3.380	4.502	6.450

## General information

### PLANAR STYLE 8

The Planar Style 8 is with a stylish front, perfectly fitting side panels and upper grille a decorative radiator that creates an atmosphere of light and space. Furthermore you have, thanks to the 4 side- and 4 bottom connections, a variety of connection possibilities. This makes the Planar Style 8 easy to install and applicable in about every situation. In addition, it offers a uniform wall distance of 65 mm for all types at the centre connection.

Product:	decorative valve radiator with a stylish front and 8 connections
Finishing:	decorative stylish front, upper grille and side panels
Pre-installed:	preset valve insert, air vent and blind plugs
Valve insert:	The integrated adjustable valve insert (without thermostatic head) is factory-fit on the right side of the radiator, tested in accordance with EN215 and compatible with thermostatic heads M30 x 1,5 mm. The thermostatic valve insert is factory-set in relation to the size of the radiator. This presetting ensures optimum throughput in the radiator. Factory setting for two-pipe systems, also suitable for one-pipe systems (as long as the valve insert is adjusted to position 8).
Also supplied:	Monclac brackets with anti-lift (VDI compliant when used in combination with included anti-slide clips), screws, plugs and installation instructions
Connections:	4 x ¾" male Eurocone bottom connection (2 x centre and 2 x lateral) and 4 x ½" female side connection. Uniform wall distance of 65 mm for all types at the centre connection.
Lugs:	Type 11 is equipped with 2 pairs of mounting lugs up to 1.600 mm and 3 pairs from 1.800 mm
Packaging:	Every radiator is sturdily packaged in high-quality cardboard and wrapped in plastic. The radiator's characteristics are shown on the label: type – height – length.
Warranty:	10 years, as long as the installation instructions have been followed and Stelrad's warranty conditions have been met.
Paint process:	All radiators are degreased, phosphated, cathodically primed and powder-coated in Stelrad white 9016 as standard.
Colours:	Stelrad white 9016 + 35 different Stelrad colours and about 200 RAL-colours are possible
Max. operating pressure:	10 bar (tested to 13 bar)
Max. operating temperature:	110 °C
Conformity:	in accordance with EN442
Quality assurance:	NF
Types:	11   21   22   33
Heights:	300   400   500   600   700   900 mm
Lengths:	400 – 2.000 mm
Depths:	63   79   102   160 mm





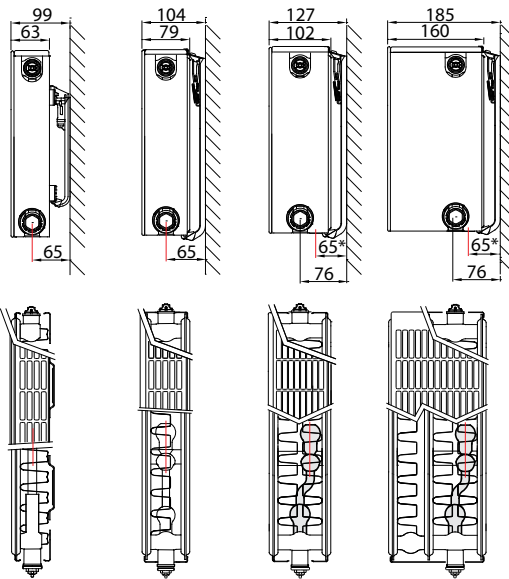
## Type overview

Calculation factor  
per meter  
at 75/65/20°C  
according to EN442

Characteristic equation:

$$\Phi = K_M \times \Delta T^n$$

\* centre connection only



Height		Type 11	Type 21	Type 22	Type 33	Centre distance
300	W			898	1.287	250
	kg			19,30	27,60	
	l			3,10	5,40	
	m <sup>2</sup>			3,51	5,26	
	n			1,30	1,30	
400	W	614	870	1.153	1.649	350
	kg	16,20	22,60	25,67	36,63	
	l	2,30	4,15	4,13	6,63	
	m <sup>2</sup>	2,95	3,37	4,92	7,38	
	n	1,27	1,30	1,30	1,31	
500	W	746	1.038	1.388	1.979	450
	kg	20,23	28,00	32,03	45,67	
	l	2,77	5,20	5,17	7,87	
	m <sup>2</sup>	3,80	4,31	6,33	9,49	
	n	1,28	1,30	1,31	1,32	
600	W	870	1.196	1.601	2.280	550
	kg	24,27	33,60	38,40	54,70	
	l	3,23	6,25	6,20	9,10	
	m <sup>2</sup>	4,66	5,24	7,74	11,61	
	n	1,28	1,31	1,31	1,32	
700	W	987	1.350	1.796	2.553	650
	kg	28,30	39,20	44,70	63,60	
	l	3,70	7,30	7,03	10,63	
	m <sup>2</sup>	5,51	6,18	9,15	13,72	
	n	1,28	1,31	1,32	1,33	
900	W	1.200	1.649	2.132	3.022	850
	kg	35,90	50,60	57,30	81,40	
	l	4,50	9,00	8,70	13,70	
	m <sup>2</sup>	7,22	8,05	11,97	17,96	
	n	1,28	1,32	1,32	1,33	

W=heat output per meter / kg=weight per meter / l=content per meter / m<sup>2</sup>=surface per meter / n=exponent  
The manufacturer reserves the right to alter any of the specifications shown in this document without prior notice.

## PLANAR STYLE 8

Heat outputs in Watt according to EN442



**EN442 (W) 70/50/20°C**

**EN442 (W) 55/45/20°C**

**EN442 (W) 75/65/20°C**

Stelrad BV/PL 19/01/07/E013

Height	300	
	22	33
<b>400</b>		
<b>500</b>	336 231 449	482 331 644
<b>600</b>		
<b>700</b>		
<b>800</b>	537 370 718	770 530 1.030
<b>900</b>	605 416 808	866 596 1.158
<b>1000</b>	672 463 898	963 662 1.287
<b>1200</b>	807 555 1.078	1.155 794 1.544
<b>1400</b>	941 648 1.257	1.348 927 1.802
<b>1600</b>	1.076 740 1.437	1.540 1.059 2.059
<b>1800</b>	1.210 833 1.616	1.733 1.192 2.317
<b>2000</b>	1.344 925 1.796	1.925 1.324 2.574

400			
11	21	22	33
231 160 307	326 224 435	431 296 577	615 422 825
277 192 368	391 269 522	517 356 692	739 507 989
324 224 430	456 314 609	603 415 807	862 592 1.154
370 256 491	521 359 696	689 474 922	985 676 1.319
416 289 553	586 404 783	776 533 1.038	1.108 761 1.484
462 320 614	652 449 870	862 593 1.153	1.231 845 1.649
555 385 737	782 539 1.044	1.035 711 1.384	1.478 1.014 1.979
647 449 860	912 628 1.218	1.207 829 1.614	1.724 1.184 2.309
739 512 982	1.043 718 1.392	1.379 948 1.845	1.970 1.352 2.638
832 577 1.105	1.173 808 1.566	1.551 1.066 2.075	2.217 1.521 2.968
924 641 1.228	1.303 898 1.740	1.724 1.185 2.306	2.463 1.690 3.298

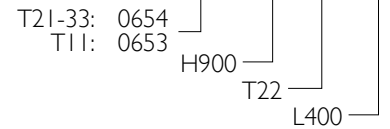
500			
11	21	22	33
224 155 298	310 213 415	414 284 555	591 405 792
281 194 373	388 267 519	518 356 694	738 506 990
337 234 448	466 320 623	622 427 833	885 606 1.187
393 272 522	544 374 727	726 498 972	1.033 707 1.385
449 311 597	621 427 830	829 569 1.110	1.180 809 1.583
505 350 671	698 480 934	933 640 1.249	1.328 910 1.781
561 389 746	776 534 1.038	1.036 711 1.388	1.476 1.011 1.979
673 467 895	932 641 1.246	1.244 854 1.666	1.771 1.213 2.375
785 544 1.044	1.087 747 1.453	1.451 996 1.943	2.066 1.415 2.771
898 622 1.194	1.242 854 1.661	1.658 1.138 2.221	2.361 1.617 3.166
1.010 700 1.343	1.397 960 1.868	1.865 1.280 2.498	2.656 1.819 3.562
1.123 778 1.492	1.552 1.067 2.076	2.073 1.423 2.776	2.951 2.022 3.958

Core assortment (Stelrad white 9016) available ex factory within 10 days.  
Core assortment is subject to change, please refer to [www.stelrad.eu](http://www.stelrad.eu) for the latest information.  
Delivery time depends on the model, please refer to your distributor.

# PLANAR STYLE 8

On the label:  
8-CONNECTIONS DECO

Art. 0654 09 22 04



Height	600			
Type	11	21	22	33
<b>400</b>	262	357	477	679
	181	245	327	464
	348	478	640	912
<b>500</b>	327	447	597	849
	227	307	409	580
	435	598	801	1.140
<b>600</b>	393	536	717	1.018
	272	368	491	696
	522	718	961	1.368
<b>700</b>	458	625	836	1.188
	317	430	573	812
	609	837	1.121	1.596
<b>800</b>	523	715	955	1.358
	363	491	655	928
	696	957	1.281	1.824
<b>900</b>	589	804	1.075	1.528
	408	552	736	1.044
	783	1.076	1.441	2.052
<b>1000</b>	654	894	1.194	1.697
	453	614	818	1.160
	870	1.196	1.601	2.280
<b>1200</b>	785	1.072	1.433	2.037
	544	736	982	1.392
	1.044	1.435	1.921	2.736
<b>1400</b>	916	1.251	1.671	2.376
	634	859	1.145	1.625
	1.218	1.674	2.241	3.192
<b>1600</b>	1.047	1.430	1.911	2.716
	725	982	1.309	1.857
	1.392	1.914	2.562	3.648
<b>1800</b>	1.178	1.609	2.149	3.055
	816	1.105	1.473	2.089
	1.566	2.153	2.882	4.104
<b>2000</b>	1.309	1.787	2.388	3.395
	906	1.227	1.636	2.321
	1.740	2.392	3.202	4.560

700			
11	21	22	33
297	403	535	760
206	277	366	519
395	540	718	1.021
371	504	669	949
257	346	458	648
494	675	898	1.277
445	605	803	1.140
308	415	550	778
592	810	1.078	1.532
519	705	937	1.329
360	484	641	908
691	945	1.257	1.787
594	806	1.071	1.519
411	553	733	1.037
790	1.080	1.437	2.042
668	907	1.204	1.710
462	622	824	1.167
888	1.215	1.616	2.298
742	1.008	1.338	1.899
514	691	916	1.297
987	1.350	1.796	2.553
890	1.209	1.606	2.279
616	830	1.099	1.557
1.184	1.620	2.155	3.064
1.039	1.411	1.874	2.659
719	968	1.282	1.816
1.382	1.890	2.514	3.574
1.187	1.613	2.142	3.039
822	1.106	1.466	2.075
1.579	2.160	2.874	4.085
1.336	1.814	2.409	3.418
925	1.245	1.649	2.334
1.777	2.430	3.233	4.595
1.484	2.016	2.677	3.798
1.027	1.383	1.832	2.594
1.974	2.700	3.592	5.106

900			
11	21	22	33
361	492	635	898
250	337	434	612
480	660	853	1.209
451	614	793	1.122
312	421	542	765
600	825	1.066	1.511
541	737	952	1.347
375	505	650	918
720	989	1.279	1.813
632	860	1.110	1.571
437	589	759	1.071
840	1.154	1.492	2.115
722	983	1.270	1.796
500	673	867	1.224
960	1.319	1.706	2.418
812	1.106	1.428	2.020
562	758	976	1.377
1.080	1.484	1.919	2.720
902	1.229	1.587	2.245
625	842	1.084	1.530
1.200	1.649	2.132	3.022
1.083	1.475	1.904	2.693
750	1.011	1.300	1.836
1.440	1.979	2.558	3.626
1.263	1.722	2.221	3.143
875	1.179	1.518	2.142
1.680	2.309	2.985	4.231
1.444	1.967	2.538	3.591
1.000	1.347	1.734	2.448
1.920	2.638	3.411	4.835
1.624	2.213	2.856	4.041
1.125	1.515	1.951	2.754
2.160	2.968	3.838	5.440
1.805	2.459	3.173	4.489
1.250	1.684	2.168	3.060
2.400	3.298	4.264	6.044

## General information

### HYGIENE PLANAR 8

The Hygiene Planar 8 is a decorative radiator with a flat front, without convection fins and without upper grille and side panels, for each project where hygiene is of great importance. With its flat front, the radiator has a timeless design. Furthermore you have, thanks to the 4 side- and 4 bottom connections, a variety of connection possibilities. In addition, it offers a uniform wall distance of 65 mm for types 20 and 30 at the centre connection.

Product:	decorative naked valve radiator without convection fins with 8 connections and a flat front
Finishing:	decorative flat front, without upper grille and side panels
Pre-installed:	preset valve insert, air vent and blind plugs
Valve insert:	The integrated adjustable valve insert (without thermostatic head) is factory-fit on the right side of the radiator; tested in accordance with EN215 and compatible with thermostatic heads M30 x 1,5 mm. The thermostatic valve insert is factory-set in relation to the size of the radiator. This presetting ensures optimum throughput in the radiator. Factory setting for two-pipe systems, also suitable for one-pipe systems (as long as the valve insert is adjusted to position 8).
Also supplied:	Monclac brackets with anti-lift (VDI compliant when used in combination with included anti-slide clips), screws, plugs and installation instructions
Connections:	4 x ¾" male Eurocone bottom connection (2 x centre and 2 x lateral) and 4 x ½" female side connection. Uniform wall distance of 65 mm for types 20 and 30 at the centre connection.
Lugs:	Type 10 is equipped with 2 pairs of mounting lugs up to 1.600 mm and 3 pairs from 1.800 mm
Packaging:	Every radiator is sturdily packaged in high-quality cardboard and wrapped in plastic. The radiator's characteristics are shown on the label: type – height – length.
Warranty:	10 years, as long as the installation instructions have been followed and Stelrad's warranty conditions have been met.
Paint process:	All radiators are degreased, phosphated, cataphoretically primed and powder-coated in Stelrad white 9016 as standard.
Colours:	Stelrad white 9016 + 35 different Stelrad colours and about 200 RAL-colours are possible
Max. operating pressure:	10 bar (tested to 13 bar)
Max. operating temperature:	110 °C
Conformity:	in accordance with EN442
Quality assurance:	NF: Types 20-30
Types:	10   20   30
Heights:	300   400   500   600   700   900 mm
Lengths:	400 – 3.000 mm
Depths:	49   79   160 mm



2022

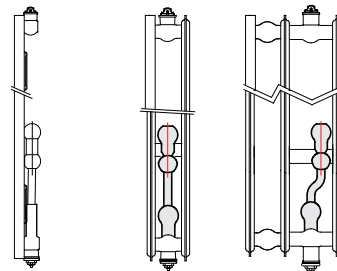
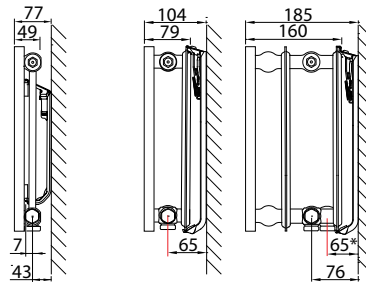
## Type overview

Calculation factor  
per meter  
at 75/65/20°C  
according to EN442

Characteristic equation:

$$\dot{\Phi} = K_M \times \Delta T^n$$

\* centre connection only



Height		Type 10	Type 20	Type 30	Centre distance
300	W	301	531	798	250
	kg	8,44	14,64	22,00	
	l	1,84	3,29	5,20	
	m <sup>2</sup>	0,68	1,37	2,04	
	n	1,27	1,30	1,32	
400	W	394	680	983	350
	kg	10,79	19,26	28,53	
	l	2,35	4,49	6,57	
	m <sup>2</sup>	0,91	1,83	2,73	
	n	1,27	1,30	1,30	
500	W	481	820	1.168	450
	kg	13,15	23,88	35,07	
	l	2,85	5,70	7,93	
	m <sup>2</sup>	1,14	2,28	3,42	
	n	1,27	1,31	1,28	
600	W	562	952	1.357	550
	kg	15,50	28,50	41,60	
	l	3,35	6,90	9,30	
	m <sup>2</sup>	1,37	2,74	4,11	
	n	1,27	1,31	1,27	
700	W	636	1.077	1.550	650
	kg	18,15	33,33	48,10	
	l	3,83	7,57	10,77	
	m <sup>2</sup>	1,60	3,20	4,79	
	n	1,27	1,32	1,29	
900	W	765	1.308	1.959	850
	kg	23,45	43,00	61,10	
	l	4,80	8,90	13,70	
	m <sup>2</sup>	2,06	4,12	6,18	
	n	1,27	1,33	1,33	

W=heat output per meter / kg=weight per meter / l=content per meter / m<sup>2</sup>=surface per meter / n=exponent  
The manufacturer reserves the right to alter any of the specifications shown in this document without prior notice.

## HYGIENE PLANAR 8

Heat outputs in Watt according to EN442



**EN442 (W) 70/50/20°C**

**EN442 (W) 55/45/20°C**

**EN442 (W) 75/65/20°C**

Stelrad BV/PL 19/01/07/E013

Height	300		
Type	10	20	30
W/m 75/65/20°C	301	531	798
<b>400</b>		159 109 212	238 163 319
<b>500</b>	113 79 151	199 137 266	297 204 399
<b>600</b>	136 95 181	239 164 319	357 244 479
<b>700</b>	159 110 211	278 192 372	417 285 559
<b>800</b>	182 126 241	318 219 425	475 325 638
<b>900</b>	204 142 271	358 246 478	535 366 718
<b>1000</b>	227 158 301	397 274 531	595 407 798
<b>1100</b>	250 173 331	437 301 584	654 448 878
<b>1200</b>	272 189 361	477 328 637	714 489 958
<b>1400</b>	317 220 421	556 383 743	832 570 1.117
<b>1600</b>		636 438 850	952 651 1.277
<b>1800</b>		715 492 956	1.070 732 1.436
<b>2000</b>		795 547 1.062	1.189 814 1.596
<b>2200</b>		874 602 1.168	1.309 896 1.756
<b>2400</b>		953 656 1.274	1.427 977 1.915
<b>2600</b>		1.034 711 1.381	
<b>2800</b>		1.113 766 1.487	
<b>3000</b>		1.192 821 1.593	

400		
10	20	30
394	680	983
	203 140 272	294 202 393
149 103 197	254 175 340	368 253 492
178 124 236	305 210 408	441 304 590
208 145 276	356 245 476	515 354 688
237 165 315	407 280 544	588 404 786
268 186 355	458 315 612	662 455 885
297 206 394	509 350 680	735 506 983
326 227 433	559 385 748	809 556 1.081
357 248 473	610 420 816	883 607 1.180
416 289 552	712 490 952	1.029 708 1.376
475 330 630	814 559 1.088	1.177 809 1.573
535 371 709	915 629 1.224	1.323 910 1.769
594 413 788	1.017 699 1.360	1.471 1.011 1.966
	1.119 769 1.496	1.618 1.113 2.163
	1.220 839 1.632	1.765 1.214 2.359
	1.322 909 1.768	
	1.424 979 1.904	
	1.526 1.049 2.040	

500		
10	20	30
481	820	1.168
	245 168 328	351 242 467
181 126 241	306 210 410	439 303 584
218 151 289	368 253 492	526 364 701
254 177 337	429 295 574	614 425 818
290 202 385	490 337 656	701 485 934
326 227 433	552 379 738	789 545 1.051
363 252 481	613 421 820	877 606 1.168
399 277 529	674 463 902	965 667 1.285
435 302 577	735 505 984	1.053 728 1.402
507 353 673	858 589 1.148	1.228 849 1.635
581 403 770	980 674 1.312	1.403 970 1.869
653 454 866	1.103 758 1.476	1.578 1.091 2.102
725 504 962	1.226 842 1.640	1.754 1.212 2.336
798 554 1.058	1.348 926 1.804	1.930 1.334 2.570
870 605 1.154	1.471 1.010 1.968	2.105 1.455 2.803
	1.593 1.094 2.132	
	1.716 1.179 2.296	
	1.838 1.263 2.460	

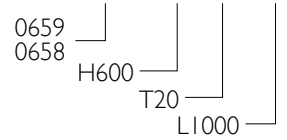
Core assortment (Stelrad white 9016) available ex factory within 10 days.  
Core assortment is subject to change, please refer to [www.stelrad.eu](http://www.stelrad.eu) for the latest information.  
Delivery time depends on the model, please refer to your distributor.

# HYGIENE PLANAR 8

On the label:  
8-CONNECTIONS HYGIENE PLAN

Art. 0659 06 20 10

T20-30:  
T10:



Height	600		
Type	10	20	30
W/m 75/65/20°C	562	952	1.357
<b>400</b>		285 195 381	409 284 543
<b>500</b>	212 147 281	355 244 476	511 355 679
<b>600</b>	254 177 337	426 293 571	614 426 814
<b>700</b>	296 206 393	497 341 666	716 497 950
<b>800</b>	339 236 450	569 391 762	819 568 1.086
<b>900</b>	382 265 506	640 439 857	920 639 1.221
<b>1000</b>	424 294 562	711 488 952	1.023 710 1.357
<b>1100</b>	466 324 618	782 537 1.047	1.125 782 1.493
<b>1200</b>	508 353 674	853 585 1.142	1.227 852 1.628
<b>1400</b>	593 412 787	995 683 1.333	1.432 995 1.900
<b>1600</b>	678 471 899	1.137 781 1.523	1.636 1.136 2.171
<b>1800</b>	763 530 1.012	1.280 878 1.714	1.841 1.279 2.443
<b>2000</b>	847 589 1.124	1.422 976 1.904	2.046 1.421 2.714
<b>2200</b>	932 648 1.236	1.564 1.073 2.094	2.250 1.563 2.985
<b>2400</b>	1.017 707 1.349	1.706 1.171 2.285	2.455 1.705 3.257
<b>2600</b>		1.848 1.268 2.475	
<b>2800</b>		1.991 1.366 2.666	
<b>3000</b>		2.133 1.464 2.856	

700		
10	20	30
636	1.077	1.550
	321 220 431	465 321 620
240 167 318	401 275 539	581 401 775
288 200 382	482 330 646	698 482 930
336 233 445	562 385 754	814 562 1.085
384 267 509	643 440 862	930 642 1.240
431 300 572	722 495 969	1.046 722 1.395
480 333 636	803 550 1.077	1.163 803 1.550
528 367 700	884 605 1.185	1.279 883 1.705
575 400 763	963 660 1.292	1.395 963 1.860
671 466 890	1.124 770 1.508	1.628 1.124 2.170
768 533 1.018	1.285 880 1.723	1.860 1.284 2.480
863 600 1.145	1.446 990 1.939	2.093 1.445 2.790
959 666 1.272	1.606 1.100 2.154	2.325 1.605 3.100

900		
10	20	30
765	1.308	1.959
	389 265 523	583 397 784
288 200 383	486 332 654	728 497 980
346 240 459	583 398 785	873 595 1.175
404 281 536	681 464 916	1.019 695 1.371
461 321 612	777 530 1.046	1.164 794 1.567
519 360 689	875 597 1.177	1.310 893 1.763
577 401 765	972 663 1.308	1.456 993 1.959
635 441 842	1.070 730 1.439	1.601 1.092 2.155
692 481 918	1.167 796 1.570	1.747 1.191 2.351
807 561 1.071	1.361 928 1.831	2.038 1.390 2.743
923 641 1.224	1.556 1.061 2.093	2.329 1.588 3.134
1.038 721 1.377	1.750 1.194 2.354	2.620 1.786 3.526
1.154 801 1.530	1.944 1.326 2.616	2.911 1.985 3.918

## General information

### PLANAR

The Planar radiator was the first in a series of decorative Stelrad radiators. Its flat front, closely fitted decorative upper grille and side panels offer you a stylish alternative for a multitude of applications. With its sleek and timeless design, the Planar easily compliments Stelrad's other decorative ranges. The Planar can be connected either as a valve or compact radiator.

Product:	decorative valve radiator with a flat front
Finishing:	decorative flat front, upper grille and side panels
Pre-installed:	preset Heimeier 4368 or 4369 valve insert, air vent and blind plugs
Valve insert:	The integrated adjustable valve insert (without thermostatic head) is factory-fit on the right side of the radiator; CEN certified, tested in accordance with EN215 and compatible with thermostatic heads M30 x 1,5 mm. The thermostatic valve insert is factory-set in relation to the size of the radiator. This presetting ensures optimum throughput in the radiator. Factory setting for two-pipe systems, also suitable for one-pipe systems (as long as the valve insert is adjusted to position 8).
Also supplied:	VDI brackets with anti-lift (type Monclac), screws, plugs and installation instructions
Connections:	6 x 1/2" female connection (2 x 1/2" lateral bottom connection included). Left version is available on request.
Lugs:	2 pairs of mounting lugs up to 1.600 mm and 3 pairs from 1.800 mm
Packaging:	Every radiator is sturdily packaged in high-quality cardboard and wrapped in plastic. The radiator's characteristics are shown on the label: type – height – length.
Warranty:	10 years, as long as the installation instructions have been followed and Stelrad's warranty conditions have been met.
Paint process:	All radiators are degreased, phosphated, cathodically primed and powder-coated in Stelrad white 9016 as standard.
Colours:	Stelrad white 9016 + 35 different Stelrad colours and about 200 RAL-colours are possible
Max. operating pressure:	10 bar (tested to 13 bar)
Max. operating temperature:	110 °C
Conformity:	in accordance with EN442
Quality assurance:	NF
Types:	11   21   22   33
Heights:	300   400   500   600   700   900 mm
Lengths:	400 – 3.000 mm
Depths:	63   79   102   160 mm



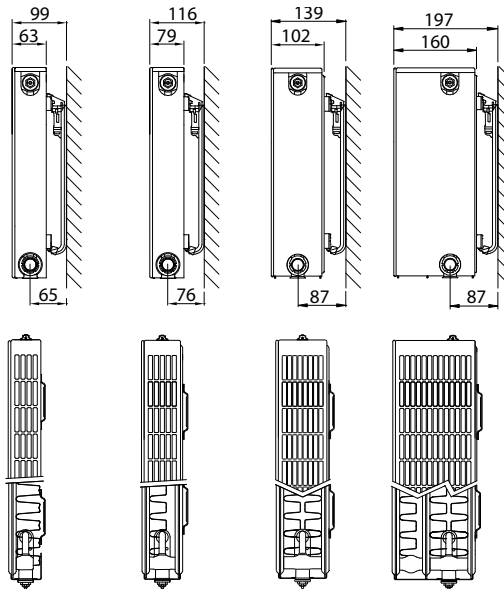


## Type overview

Calculation factor  
per meter  
at 75/65/20°C  
according to EN442

Characteristic equation:

$$\Phi = K_M \times \Delta T^n$$



Height		Type 11	Type 21	Type 22	Type 33	Centre distance
300	W			929	1.346	250
	kg			19,60	28,00	
	l			3,70	5,40	
	m <sup>2</sup>			3,51	5,26	
	n			1,30	1,31	
400	W	626		1.177	1.690	350
	kg	16,13		26,40	38,13	
	l	2,34		4,67	6,87	
	m <sup>2</sup>	2,95		4,92	7,38	
	n	1,29		1,30	1,32	
500	W	774	1.062	1.411	2.017	450
	kg	20,39	28,89	33,20	48,27	
	l	2,80	5,63	5,63	8,33	
	m <sup>2</sup>	3,80	4,31	6,33	9,49	
	n	1,28	1,32	1,31	1,33	
600	W	911	1.227	1.634	2.332	550
	kg	24,65	34,90	40,00	58,40	
	l	3,25	6,60	6,60	9,80	
	m <sup>2</sup>	4,66	5,24	7,74	11,61	
	n	1,27	1,32	1,32	1,34	
700	W	1.038	1.387	1.848	2.637	650
	kg	28,91	40,91	46,80	68,53	
	l	3,77	7,63	7,63	11,37	
	m <sup>2</sup>	5,51	6,18	9,15	13,72	
	n	1,28	1,32	1,33	1,34	
900	W	1.260	1.690	2.251	3.225	850
	kg	37,43	52,94	60,40	88,80	
	l	4,80	9,70	9,70	14,50	
	m <sup>2</sup>	7,22	8,05	11,97	17,96	
	n	1,29	1,31	1,35	1,34	

W=heat output per meter / kg=weight per meter / l=content per meter / m<sup>2</sup>=surface per meter / n=exponent  
The manufacturer reserves the right to alter any of the specifications shown in this document without prior notice.

## PLANAR

Heat outputs in Watt according to EN442



**EN442 (W) 70/50/20°C**

**EN442 (W) 55/45/20°C**

**EN442 (W) 75/65/20°C**

Stelrad BV/PL 19/01/07/E013

Height	300	
	22	33
<b>400</b>		401
		275
		538
<b>500</b>	347	502
	239	344
	465	673
<b>600</b>	417	603
	287	413
	557	808
<b>700</b>	487	703
	335	482
	650	942
<b>800</b>	556	804
	383	551
	743	1.077
<b>900</b>	626	904
	431	619
	836	1.211
<b>1000</b>	696	1.004
	479	689
	929	1.346
<b>1100</b>	765	1.105
	527	758
	1.022	1.481
<b>1200</b>	835	1.205
	575	826
	1.115	1.615
<b>1400</b>	974	1.406
	671	964
	1.301	1.884
<b>1600</b>	1.113	1.607
	767	1.102
	1.486	2.154
<b>1800</b>	1.252	1.808
	863	1.239
	1.672	2.423
<b>2000</b>	1.391	2.009
	958	1.377
	1.858	2.692
<b>2200</b>	1.531	2.209
	1.054	1.515
	2.044	2.961
<b>2400</b>	1.670	2.410
	1.150	1.652
	2.230	3.230
<b>2600</b>	1.809	
	1.246	
	2.415	
<b>2800</b>	1.948	
	1.342	
	2.601	
<b>3000</b>	2.087	
	1.438	
	2.787	

400		
11	22	33
187	352	
129	242	
250	471	
235	440	
162	302	
313	589	
282	528	755
194	363	516
376	706	1.014
328	616	
226	423	
438	824	
376	704	1.007
259	484	688
501	942	1.352
422	792	1.132
291	544	774
563	1.059	1.521
469	880	1.258
324	605	860
626	1.177	1.690
516	968	1.384
356	665	946
689	1.295	1.859
563	1.055	1.510
388	725	1.032
751	1.412	2.028
657	1.232	1.761
453	847	1.204
876	1.648	2.366
751	1.408	2.013
518	967	1.376
1.002	1.883	2.704
845	1.584	2.265
583	1.088	1.548
1.127	2.119	3.042
939	1.760	2.516
647	1.209	1.720
1.252	2.354	3.380
	1.935	2.768
	1.330	1.892
	2.589	3.718
	2.112	3.020
	1.451	2.064
	2.825	4.056
	2.287	
	1.572	
	3.060	
	2.464	
	1.693	
	3.296	
	2.639	
	1.814	
	3.531	

500			
11	21	22	33
233	317	421	599
161	216	289	409
310	425	564	807
291	395	527	749
201	270	361	510
387	531	706	1.009
349	474	632	899
241	324	433	613
464	637	847	1.210
407	553	737	1.049
282	378	505	715
542	743	988	1.412
465	633	842	1.199
322	433	578	817
619	850	1.129	1.614
524	712	948	1.348
362	487	650	919
697	956	1.270	1.815
582	791	1.053	1.498
402	541	722	1.021
774	1.062	1.411	2.017
639	870	1.158	1.648
442	595	794	1.123
851	1.168	1.552	2.219
698	949	1.263	1.798
483	649	866	1.225
929	1.274	1.693	2.420
814	1.107	1.474	2.098
563	757	1.010	1.430
1.084	1.487	1.975	2.824
930	1.265	1.685	2.397
643	865	1.155	1.634
1.238	1.699	2.258	3.227
1.047	1.424	1.895	2.697
724	974	1.299	1.838
1.393	1.912	2.540	3.631
1.163	1.582	2.106	2.996
804	1.082	1.444	2.042
1.548	2.124	2.822	4.034
1.279	1.740	2.316	3.296
885	1.190	1.588	2.246
1.703	2.336	3.104	4.437
1.396	1.898	2.526	3.596
965	1.298	1.732	2.451
1.858	2.549	3.386	4.841
		2.738	
		1.877	
		3.669	
		2.948	
		2.021	
		3.951	
		3.158	
		2.165	
		4.233	

Core assortment (Stelrad white 9016) available ex factory within 10 days.  
 Core assortment is subject to change, please refer to [www.stelrad.eu](http://www.stelrad.eu) for the latest information.  
 Delivery time depends on the model, please refer to your distributor.

# PLANAR

On the label:  
DESIGN/FLATFRONT  
DESIGN/FLATFRONT L (Left)

Art. 0243 09 22 04

T11-33: 0243  
T11-33: 0244

Height	600			
Type	11	21	22	33
<b>400</b>	274	365	487	691
	190	250	333	470
	364	491	654	933
<b>500</b>	343	457	608	864
	238	312	416	587
	456	614	817	1.166
<b>600</b>	412	548	730	1.037
	286	374	499	705
	547	736	980	1.399
<b>700</b>	480	639	852	1.209
	333	437	583	822
	638	859	1.144	1.632
<b>800</b>	549	731	973	1.383
	381	500	666	940
	729	982	1.307	1.866
<b>900</b>	617	822	1.096	1.556
	428	562	749	1.057
	820	1.104	1.471	2.099
<b>1000</b>	686	913	1.217	1.728
	476	624	832	1.174
	911	1.227	1.634	2.332
<b>1100</b>	754	1.005	1.338	1.901
	523	687	915	1.292
	1.002	1.350	1.797	2.565
<b>1200</b>	823	1.096	1.460	2.074
	571	749	999	1.409
	1.093	1.472	1.961	2.798
<b>1400</b>	960	1.279	1.704	2.420
	666	874	1.165	1.644
	1.275	1.718	2.288	3.265
<b>1600</b>	1.098	1.461	1.947	2.765
	761	999	1.331	1.879
	1.458	1.963	2.614	3.731
<b>1800</b>	1.235	1.644	2.190	3.111
	857	1.124	1.498	2.114
	1.640	2.209	2.941	4.198
<b>2000</b>	1.372	1.827	2.434	3.457
	952	1.249	1.665	2.349
	1.822	2.454	3.268	4.664
<b>2200</b>	1.509	2.009	2.677	3.802
	1.047	1.373	1.831	2.584
	2.004	2.699	3.595	5.130
<b>2400</b>	1.646	2.192	2.921	4.148
	1.142	1.498	1.998	2.819
	2.186	2.945	3.922	5.597
<b>2600</b>			3.164	
			2.164	
			4.248	
<b>2800</b>			3.407	
			2.330	
			4.575	
<b>3000</b>			3.651	
			2.497	
			4.902	

700			
11	21	22	33
			782
			531
			1.055
390	517	686	977
270	354	468	664
519	694	924	1.319
468	620	824	1.172
324	424	562	796
623	832	1.109	1.582
547	723	961	1.368
378	495	655	929
727	971	1.294	1.846
624	827	1.098	1.563
432	566	749	1.062
830	1.110	1.478	2.110
702	930	1.235	1.758
486	636	842	1.195
934	1.248	1.663	2.373
780	1.033	1.373	1.954
540	707	936	1.328
1.038	1.387	1.848	2.637
		1.510	2.150
		1.030	1.461
		2.033	2.901
		1.648	2.344
		1.123	1.593
		2.218	3.164
		1.922	2.736
		1.310	1.859
		2.587	3.692
		2.197	3.126
		1.498	2.124
		2.957	4.219
			3.517
			2.390
			4.747
		2.746	3.908
		1.872	2.655
		3.696	5.274

900			
11	21	22	33
378	504	665	956
261	345	451	649
504	676	900	1.290
472	630	832	1.194
326	432	564	811
630	845	1.126	1.613
567	756	999	1.433
391	518	676	973
756	1.014	1.351	1.935
661	882	1.165	1.673
456	605	789	1.136
882	1.183	1.576	2.258
756	1.008	1.331	1.911
521	691	902	1.298
1.008	1.352	1.801	2.580
850	1.134	1.498	2.150
586	777	1.014	1.460
1.134	1.521	2.026	2.903
945	1.260	1.664	2.389
651	864	1.127	1.622
1.260	1.690	2.251	3.225
1.039	1.386	1.830	2.628
717	950	1.240	1.785
1.386	1.859	2.476	3.548
1.133	1.513	1.997	2.867
782	1.036	1.352	1.947
1.512	2.028	2.701	3.870
1.322	1.765	2.329	3.344
912	1.209	1.578	2.271
1.764	2.366	3.151	4.515
1.511	2.017	2.662	3.822
1.042	1.382	1.803	2.596
2.016	2.704	3.602	5.160
1.700	2.269	2.995	4.300
1.173	1.554	2.029	2.920
2.268	3.042	4.052	5.805

## General information

### COMPACT PLANAR

The Compact Planar radiator with its close-fitting side panels and upper grille gives your home a neat and contemporary finish. In addition, it is equipped with a lovely flat front panel. With the Stelrad Compact radiator as a base, the Compact Planar's flat front adds a touch of beauty to any interior:

Product:	decorative encased panel radiator with a flat front plate
Finishing:	decorative flat front with upper grille and side panels
Also supplied:	VDI brackets with anti-lift (type Monclac), screws, plugs, air vent, blind plug and installation instructions
Connections:	4 x ½" female connection
Lugs:	2 pairs of mounting lugs up to 1.600 mm and 3 pairs from 1.800 mm
Packaging:	Every radiator is sturdily packaged in high-quality cardboard and wrapped in plastic. The radiator's characteristics are shown on the label: type – height – length.
Warranty:	10 years, as long as the installation instructions have been followed and Stelrad's warranty conditions have been met.
Paint process:	All radiators are degreased, phosphated, cathodically primed and powder-coated in Stelrad white 9016 as standard.
Colours:	Stelrad white 9016 + 35 different Stelrad colours and about 200 RAL-colours are possible
Max. operating pressure:	10 bar (tested to 13 bar)
Max. operating temperature:	110 °C
Conformity:	in accordance with EN442
Quality assurance:	NF
Types:	11   21   22   33
Heights:	300   400   500   600   700   900 mm
Lengths:	400 – 2.000 mm
Depths:	63   79   102   160 mm



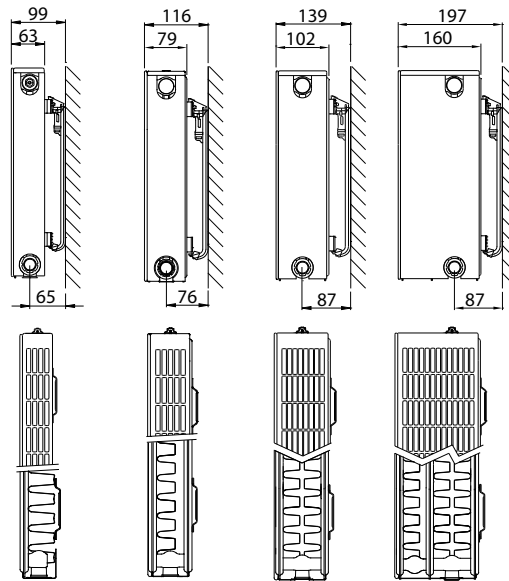
2006

## Type overview

Calculation factor  
per meter  
at 75/65/20°C  
according to EN442

Characteristic equation:

$$\Phi = K_M \times \Delta T^n$$



Height		Type 11	Type 21	Type 22	Type 33	Centre distance
300	W	469	706	929	1.346	250
	kg	11,88	16,86	19,60	28,00	
	l	1,89	3,70	3,70	5,40	
	m <sup>2</sup>	2,09	2,44	3,51	5,26	
	n	1,30	1,32	1,30	1,31	
400	W	626	889	1.177	1.690	350
	kg	16,13	22,87	26,40	38,13	
	l	2,34	4,67	4,67	6,87	
	m <sup>2</sup>	2,95	3,37	4,92	7,38	
	n	1,29	1,32	1,30	1,32	
500	W	774	1.062	1.411	2.017	450
	kg	20,39	28,89	33,20	48,27	
	l	2,80	5,63	5,63	8,33	
	m <sup>2</sup>	3,80	4,31	6,33	9,49	
	n	1,28	1,32	1,31	1,33	
600	W	911	1.227	1.634	2.332	550
	kg	24,65	34,90	40,00	58,40	
	l	3,25	6,60	6,60	9,80	
	m <sup>2</sup>	4,66	5,24	7,74	11,61	
	n	1,27	1,32	1,32	1,34	
700	W	1.038	1.387	1.848	2.637	650
	kg	28,91	40,91	46,80	68,53	
	l	3,77	7,63	7,63	11,37	
	m <sup>2</sup>	5,51	6,18	9,15	13,72	
	n	1,28	1,32	1,33	1,34	
900	W	1.260	1.690	2.251	3.225	850
	kg	37,43	52,94	60,40	88,80	
	l	4,80	9,70	9,70	14,50	
	m <sup>2</sup>	7,22	8,05	11,97	17,96	
	n	1,29	1,31	1,35	1,34	

W=heat output per meter / kg=weight per meter / l=content per meter / m<sup>2</sup>=surface per meter / n=exponent  
The manufacturer reserves the right to alter any of the specifications shown in this document without prior notice.

## COMPACT PLANAR

Heat outputs in Watt according to EN442



**EN442 (W) 70/50/20°C**

**EN442 (W) 55/45/20°C**

**EN442 (W) 75/65/20°C**

Stelrad BV/PL 19/01/07/E013

Height	300				
	Type	11	21	22	33
<b>400</b>		141	210	279	401
		97	144	192	275
		188	282	372	538
<b>500</b>		175	263	347	502
		120	180	239	344
		235	353	465	673
<b>600</b>		210	316	417	603
		145	216	287	413
		281	424	557	808
<b>700</b>		245	368	487	703
		169	252	335	482
		328	494	650	942
<b>800</b>		280	421	556	804
		193	288	383	551
		375	565	743	1.077
<b>900</b>		316	473	626	904
		217	324	431	619
		422	635	836	1.211
<b>1000</b>		351	526	696	1.004
		241	360	479	689
		469	706	929	1.346
<b>1100</b>		386	579	765	1.105
		265	397	527	758
		516	777	1.022	1.481
<b>1200</b>		421	631	835	1.205
		290	432	575	826
		563	847	1.115	1.615
<b>1400</b>		491	737	974	1.406
		338	504	671	964
		657	988	1.301	1.884
<b>1600</b>			842	1.113	1.607
			577	767	1.102
			1.130	1.486	2.154
<b>1800</b>			948	1.252	1.808
			649	863	1.239
			1.271	1.672	2.423
<b>2000</b>			1.053	1.391	2.009
			721	958	1.377
			1.412	1.858	2.692

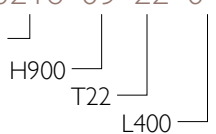
400				
Type	11	21	22	33
	187	265	352	503
	129	182	242	344
	250	356	471	676
	235	331	440	629
	162	226	302	430
	313	445	589	845
	282	397	528	755
	194	272	363	516
	376	533	706	1.014
	328	463	616	881
	226	317	423	602
	438	622	824	1.183
	376	530	704	1.007
	259	363	484	688
	501	711	942	1.352
	422	596	792	1.132
	291	408	544	774
	563	800	1.059	1.521
	469	662	880	1.258
	324	453	605	860
	626	889	1.177	1.690
	516	729	968	1.384
	356	499	665	946
	689	978	1.295	1.859
	563	795	1.055	1.510
	388	544	725	1.032
	751	1.067	1.412	2.028
	657	928	1.232	1.761
	453	635	847	1.204
	876	1.245	1.648	2.366
	751	1.060	1.408	2.013
	518	725	967	1.376
	1.002	1.422	1.883	2.704
	845	1.192	1.584	2.265
	583	816	1.088	1.548
	1.127	1.600	2.119	3.042
	939	1.325	1.760	2.516
	647	907	1.209	1.720
	1.252	1.778	2.354	3.380

500				
Type	11	21	22	33
	233	317	421	599
	161	216	289	409
	310	425	564	807
	291	395	527	749
	201	270	361	510
	387	531	706	1.009
	349	474	632	899
	241	324	433	613
	464	637	847	1.210
	407	553	737	1.049
	282	378	505	715
	542	743	988	1.412
	465	633	842	1.199
	322	433	578	817
	619	850	1.129	1.614
	524	712	948	1.348
	362	487	650	919
	697	956	1.270	1.815
	582	791	1.053	1.498
	402	541	722	1.021
	774	1.062	1.411	2.017
	639	870	1.158	1.648
	442	595	794	1.123
	851	1.168	1.552	2.219
	698	949	1.263	1.798
	483	649	866	1.225
	929	1.274	1.693	2.420
	814	1.107	1.474	2.098
	563	757	1.010	1.430
	1.084	1.487	1.975	2.824
	930	1.265	1.685	2.397
	643	865	1.155	1.634
	1.238	1.699	2.258	3.227
	1.047	1.424	1.895	2.697
	724	974	1.299	1.838
	1.393	1.912	2.540	3.631
	1.163	1.582	2.106	2.996
	804	1.082	1.444	2.042
	1.548	2.124	2.822	4.034

Core assortment (Stelrad white 9016) available ex factory within 10 days.  
 Core assortment is subject to change, please refer to [www.stelrad.eu](http://www.stelrad.eu) for the latest information.  
 Delivery time depends on the model, please refer to your distributor.

## COMPACT PLANAR

On the label:  
 COMPACT PLAN T11-33: 0216



Art. 0216 09 22 04

Height	600			
Type	11	21	22	33
<b>400</b>	274	365	487	691
	190	250	333	470
	364	491	654	933
<b>500</b>	343	457	608	864
	238	312	416	587
	456	614	817	1.166
<b>600</b>	412	548	730	1.037
	286	374	499	705
	547	736	980	1.399
<b>700</b>	480	639	852	1.209
	333	437	583	822
	638	859	1.144	1.632
<b>800</b>	549	731	973	1.383
	381	500	666	940
	729	982	1.307	1.866
<b>900</b>	617	822	1.096	1.556
	428	562	749	1.057
	820	1.104	1.471	2.099
<b>1000</b>	686	913	1.217	1.728
	476	624	832	1.174
	911	1.227	1.634	2.332
<b>1100</b>	754	1.005	1.338	1.901
	523	687	915	1.292
	1.002	1.350	1.797	2.565
<b>1200</b>	823	1.096	1.460	2.074
	571	749	999	1.409
	1.093	1.472	1.961	2.798
<b>1400</b>	960	1.279	1.704	2.420
	666	874	1.165	1.644
	1.275	1.718	2.288	3.265
<b>1600</b>	1.098	1.461	1.947	2.765
	761	999	1.331	1.879
	1.458	1.963	2.614	3.731
<b>1800</b>	1.235	1.644	2.190	3.111
	857	1.124	1.498	2.114
	1.640	2.209	2.941	4.198
<b>2000</b>	1.372	1.827	2.434	3.457
	952	1.249	1.665	2.349
	1.822	2.454	3.268	4.664

700			
11	21	22	33
312	413	549	782
216	283	374	531
415	555	739	1.055
390	517	686	977
270	354	468	664
519	694	924	1.319
468	620	824	1.172
324	424	562	796
623	832	1.109	1.582
547	723	961	1.368
378	495	655	929
727	971	1.294	1.846
624	827	1.098	1.563
432	566	749	1.062
830	1.110	1.478	2.110
702	930	1.235	1.758
486	636	842	1.195
934	1.248	1.663	2.373
780	1.033	1.373	1.954
540	707	936	1.328
1.038	1.387	1.848	2.637
859	1.137	1.510	2.150
594	778	1.030	1.461
1.142	1.526	2.033	2.901
937	1.239	1.648	2.344
649	848	1.123	1.593
1.246	1.664	2.218	3.164
1.092	1.447	1.922	2.736
756	989	1.310	1.859
1.453	1.942	2.587	3.692
1.249	1.653	2.197	3.126
865	1.131	1.498	2.124
1.661	2.219	2.957	4.219
1.404	1.860	2.471	3.517
972	1.272	1.684	2.390
1.868	2.497	3.326	4.747
1.561	2.066	2.746	3.908
1.081	1.413	1.872	2.655
2.076	2.774	3.696	5.274

900			
11	21	22	33
378	504	665	956
261	345	451	649
504	676	900	1.290
472	630	832	1.194
326	432	564	811
630	845	1.126	1.613
567	756	999	1.433
391	518	676	973
756	1.014	1.351	1.935
661	882	1.165	1.673
456	605	789	1.136
882	1.183	1.576	2.258
756	1.008	1.331	1.911
521	691	902	1.298
1.008	1.352	1.801	2.580
850	1.134	1.498	2.150
586	777	1.014	1.460
1.134	1.521	2.026	2.903
945	1.260	1.664	2.389
651	864	1.127	1.622
1.260	1.690	2.251	3.225
1.039	1.386	1.830	2.628
717	950	1.240	1.785
1.386	1.859	2.476	3.548
1.133	1.513	1.997	2.867
782	1.036	1.352	1.947
1.512	2.028	2.701	3.870
1.322	1.765	2.329	3.344
912	1.209	1.578	2.271
1.764	2.366	3.151	4.515
1.511	2.017	2.662	3.822
1.042	1.382	1.803	2.596
2.016	2.704	3.602	5.160
1.700	2.269	2.995	4.300
1.173	1.554	2.029	2.920
2.268	3.042	4.052	5.805
1.889	2.521	3.328	4.778
1.303	1.727	2.254	3.245
2.520	3.380	4.502	6.450

## General information

### COMPACT STYLE

The decorative Compact Style radiator features horizontal lines creating an atmosphere of space and sophistication. A compact radiator that has a stylish front panel, with close-fitting side panels and decorative upper grille giving your home a neat and distinctive appearance.

Product:	decorative encased panel radiator with a stylish front plate
Finishing:	decorative stylish front with upper grille and side panels
Also supplied:	VDI brackets with anti-lift (type Monclac), screws, plugs, air vent, blind plug and installation instructions
Connections:	4 x ½" female connection
Lugs:	2 pairs of mounting lugs up to 1.600 mm and 3 pairs from 1.800 mm
Packaging:	Every radiator is sturdily packaged in high-quality cardboard and wrapped in plastic. The radiator's characteristics are shown on the label: type – height – length.
Warranty:	10 years, as long as the installation instructions have been followed and Stelrad's warranty conditions have been met.
Paint process:	All radiators are degreased, phosphated, cathodically primed and powder-coated in Stelrad white 9016 as standard.
Colours:	Stelrad white 9016 + 35 different Stelrad colours and about 200 RAL-colours are possible
Max. operating pressure:	10 bar (tested to 13 bar)
Max. operating temperature:	110 °C
Conformity:	in accordance with EN442
Quality assurance:	NF
Types:	11   21   22   33
Heights:	300   400   500   600   700   900 mm
Lengths:	400 – 2.000 mm
Depths:	63   79   102   160 mm



2014

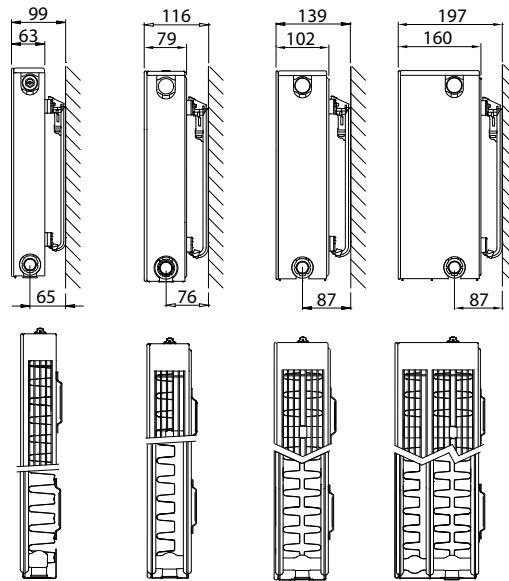


## Type overview

Calculation factor  
per meter  
at 75/65/20°C  
according to EN442

Characteristic equation:

$$\Phi = K_M \times \Delta T^n$$



Height		Type 11	Type 21	Type 22	Type 33	Centre distance
300	W			898	1.287	250
	kg			19,30	27,60	
	l			3,10	5,40	
	m <sup>2</sup>			3,51	5,26	
	n			1,30	1,30	
400	W	614	870	1.153	1.649	350
	kg	16,20	22,60	25,67	36,63	
	l	2,30	4,15	4,13	6,63	
	m <sup>2</sup>	2,95	3,37	4,92	7,38	
	n	1,27	1,30	1,30	1,31	
500	W	746	1.038	1.388	1.979	450
	kg	20,23	28,00	32,03	45,67	
	l	2,77	5,20	5,17	7,87	
	m <sup>2</sup>	3,80	4,31	6,33	9,49	
	n	1,28	1,30	1,31	1,32	
600	W	870	1.196	1.601	2.280	550
	kg	24,27	33,60	38,40	54,70	
	l	3,23	6,25	6,20	9,10	
	m <sup>2</sup>	4,66	5,24	7,74	11,61	
	n	1,28	1,31	1,31	1,32	
700	W	987	1.350	1.796	2.553	650
	kg	28,30	39,20	44,70	63,60	
	l	3,70	7,30	7,03	10,63	
	m <sup>2</sup>	5,51	6,18	9,15	13,72	
	n	1,28	1,31	1,32	1,33	
900	W	1.200	1.649	2.132	3.022	850
	kg	35,90	50,60	57,30	81,40	
	l	4,50	9,00	8,70	13,70	
	m <sup>2</sup>	7,22	8,05	11,97	17,96	
	n	1,28	1,32	1,32	1,33	

W=heat output per meter / kg=weight per meter / l=content per meter / m<sup>2</sup>=surface per meter / n=exponent  
The manufacturer reserves the right to alter any of the specifications shown in this document without prior notice.

## COMPACT STYLE

Heat outputs in Watt according to EN442



**EN442 (W) 70/50/20°C**

**EN442 (W) 55/45/20°C**

**EN442 (W) 75/65/20°C**

Stelrad BV/PL 19/01/07/E013

Height	300	
	22	33
<b>400</b>		
<b>500</b>	336 231 449	482 331 644
<b>600</b>		
<b>700</b>		
<b>800</b>	537 370 718	770 530 1.030
<b>900</b>	605 416 808	866 596 1.158
<b>1000</b>	672 463 898	963 662 1.287
<b>1200</b>	807 555 1.078	1.155 794 1.544
<b>1400</b>	941 648 1.257	1.348 927 1.802
<b>1600</b>	1.076 740 1.437	1.540 1.059 2.059
<b>1800</b>	1.210 833 1.616	1.733 1.192 2.317
<b>2000</b>	1.344 925 1.796	1.925 1.324 2.574

400			
11	21	22	33
231 160 307	326 224 435	431 296 577	615 422 825
277 192 368	391 269 522	517 356 692	739 507 989
324 224 430	456 314 609	603 415 807	862 592 1.154
370 256 491	521 359 696	689 474 922	985 676 1.319
416 289 553	586 404 783	776 533 1.038	1.108 761 1.484
462 320 614	652 449 870	862 593 1.153	1.231 845 1.649
555 385 737	782 539 1.044	1.035 711 1.384	1.478 1.014 1.979
647 449 860	912 628 1.218	1.207 829 1.614	1.724 1.184 2.309
739 512 982	1.043 718 1.392	1.379 948 1.845	1.970 1.352 2.638
832 577 1.105	1.173 808 1.566	1.551 1.066 2.075	2.217 1.521 2.968
924 641 1.228	1.303 898 1.740	1.724 1.185 2.306	2.463 1.690 3.298

500			
11	21	22	33
224 155 298	310 213 415	414 284 555	591 405 792
281 194 373	388 267 519	518 356 694	738 506 990
337 234 448	466 320 623	622 427 833	885 606 1.187
393 272 522	544 374 727	726 498 972	1.033 707 1.385
449 311 597	621 427 830	829 569 1.110	1.180 809 1.583
505 350 671	698 480 934	933 640 1.249	1.328 910 1.781
561 389 746	776 534 1.038	1.036 711 1.388	1.476 1.011 1.979
673 467 895	932 641 1.246	1.244 854 1.666	1.771 1.213 2.375
785 544 1.044	1.087 747 1.453	1.451 996 1.943	2.066 1.415 2.771
898 622 1.194	1.242 854 1.661	1.658 1.138 2.221	2.361 1.617 3.166
1.010 700 1.343	1.397 960 1.868	1.865 1.280 2.498	2.656 1.819 3.562
1.123 778 1.492	1.552 1.067 2.076	2.073 1.423 2.776	2.951 2.022 3.958

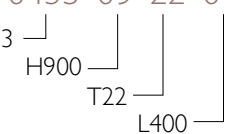
Core assortment (Stelrad white 9016) available ex factory within 10 days.

Core assortment is subject to change, please refer to [www.stelrad.eu](http://www.stelrad.eu) for the latest information.

Delivery time depends on the model, please refer to your distributor.

## COMPACT STYLE

On the label:  
COMPACT DECO T11-33: 0453



Art. 0453 09 22 04

Height	600			
Type	11	21	22	33
<b>400</b>	262	357	477	679
	181	245	327	464
	348	478	640	912
<b>500</b>	327	447	597	849
	227	307	409	580
	435	598	801	1.140
<b>600</b>	393	536	717	1.018
	272	368	491	696
	522	718	961	1.368
<b>700</b>	458	625	836	1.188
	317	430	573	812
	609	837	1.121	1.596
<b>800</b>	523	715	955	1.358
	363	491	655	928
	696	957	1.281	1.824
<b>900</b>	589	804	1.075	1.528
	408	552	736	1.044
	783	1.076	1.441	2.052
<b>1000</b>	654	894	1.194	1.697
	453	614	818	1.160
	870	1.196	1.601	2.280
<b>1200</b>	785	1.072	1.433	2.037
	544	736	982	1.392
	1.044	1.435	1.921	2.736
<b>1400</b>	916	1.251	1.671	2.376
	634	859	1.145	1.625
	1.218	1.674	2.241	3.192
<b>1600</b>	1.047	1.430	1.911	2.716
	725	982	1.309	1.857
	1.392	1.914	2.562	3.648
<b>1800</b>	1.178	1.609	2.149	3.055
	816	1.105	1.473	2.089
	1.566	2.153	2.882	4.104
<b>2000</b>	1.309	1.787	2.388	3.395
	906	1.227	1.636	2.321
	1.740	2.392	3.202	4.560

700			
11	21	22	33
297	403	535	760
206	277	366	519
395	540	718	1.021
371	504	669	949
257	346	458	648
494	675	898	1.277
445	605	803	1.140
308	415	550	778
592	810	1.078	1.532
519	705	937	1.329
360	484	641	908
691	945	1.257	1.787
594	806	1.071	1.519
411	553	733	1.037
790	1.080	1.437	2.042
668	907	1.204	1.710
462	622	824	1.167
888	1.215	1.616	2.298
742	1.008	1.338	1.899
514	691	916	1.297
987	1.350	1.796	2.553
890	1.209	1.606	2.279
616	830	1.099	1.557
1.184	1.620	2.155	3.064
1.039	1.411	1.874	2.659
719	968	1.282	1.816
1.382	1.890	2.514	3.574
1.187	1.613	2.142	3.039
822	1.106	1.466	2.075
1.579	2.160	2.874	4.085
1.336	1.814	2.409	3.418
925	1.245	1.649	2.334
1.777	2.430	3.233	4.595
1.484	2.016	2.677	3.798
1.027	1.383	1.832	2.594
1.974	2.700	3.592	5.106

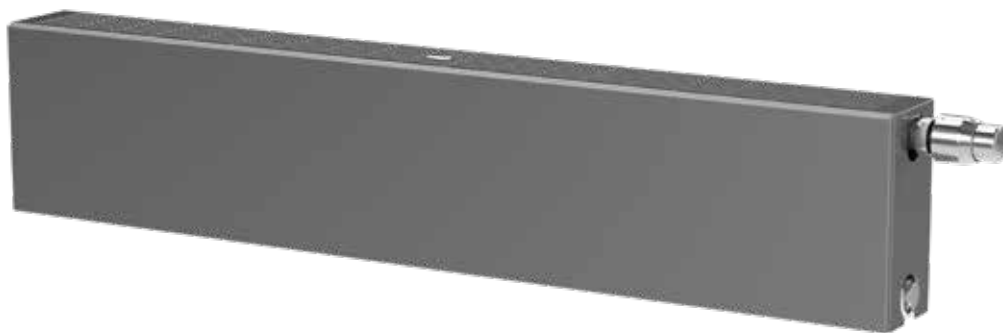
900			
11	21	22	33
361	492	635	898
250	337	434	612
480	660	853	1.209
451	614	793	1.122
312	421	542	765
600	825	1.066	1.511
541	737	952	1.347
375	505	650	918
720	989	1.279	1.813
632	860	1.110	1.571
437	589	759	1.071
840	1.154	1.492	2.115
722	983	1.270	1.796
500	673	867	1.224
960	1.319	1.706	2.418
812	1.106	1.428	2.020
562	758	976	1.377
1.080	1.484	1.919	2.720
902	1.229	1.587	2.245
625	842	1.084	1.530
1.200	1.649	2.132	3.022
1.083	1.475	1.904	2.693
750	1.011	1.300	1.836
1.440	1.979	2.558	3.626
1.263	1.722	2.221	3.143
875	1.179	1.518	2.142
1.680	2.309	2.985	4.231
1.444	1.967	2.538	3.591
1.000	1.347	1.734	2.448
1.920	2.638	3.411	4.835
1.624	2.213	2.856	4.041
1.125	1.515	1.951	2.754
2.160	2.968	3.838	5.440
1.805	2.459	3.173	4.489
1.250	1.684	2.168	3.060
2.400	3.298	4.264	6.044

## General information

### PLANAR PLINTH

The Planar Plinth is Stelrad's response to the growing demand for low-line decorative radiators. With a completely flat front, a decorative upper grille and side panels the Planar Plinth radiator achieves, despite its modest size, high heat outputs. Moreover this radiator can be connected either as a valve or as a compact radiator.

Product:	decorative valve radiator with a flat front and a height of 200 mm
Finishing:	decorative flat front, upper grille and side panels
Pre-installed:	adjustable Heimeier valve insert type 4368
Valve insert:	The integrated adjustable valve insert (without thermostatic head) is factory-fit on the right side of the radiator; CEN certified, tested in accordance with EN215 and compatible with thermostatic heads M30 x 1,5 mm.
Also supplied:	air vent and blind plugs
Connections:	6 x 1/2" female connection (2 x 1/2" lateral bottom connection included).
Lugs:	no lugs
Packaging:	Every radiator is sturdily packaged in high-quality cardboard and wrapped in plastic. The radiator's characteristics are shown on the label: type – height – length.
Warranty:	10 years, as long as the installation instructions have been followed and Stelrad's warranty conditions have been met.
Paint process:	All radiators are degreased, phosphated, primed and powder-coated in Stelrad white 9016 as standard.
Colours:	Stelrad white 9016 + 35 different Stelrad colours and about 200 RAL-colours are possible
Max. operating pressure:	10 bar (tested to 13 bar)
Max. operating temperature:	110 °C
Conformity:	in accordance with EN442
Types:	22   33   44
Height:	200 mm
Lengths:	1.000 – 2.600 mm
Depths:	102   160   218 mm

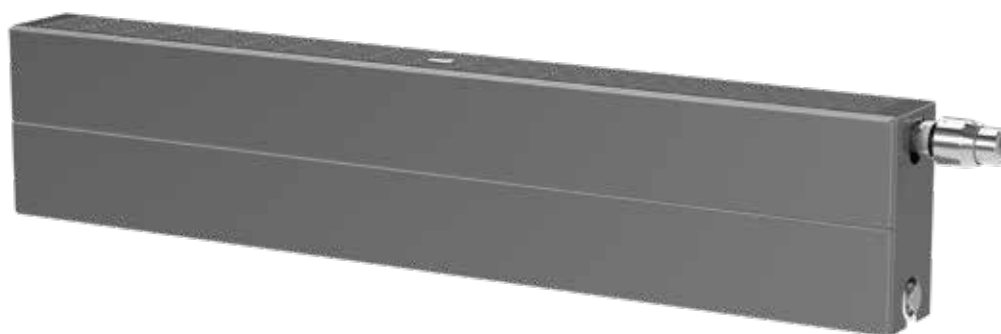


## General information

### PLANAR STYLE PLINTH

Are you having problems finding a suitable radiator for your large window sections? The Planar Style Plinth offers you the perfect solution. This plinth radiator is equipped with one stylised front, a decorative upper grille and side panels. In combination with the Compact Style, Planar Style or Vertex Style its horizontal play of lines ensures design consistency throughout your home. The radiator can be connected either as a valve or as a compact radiator.

Product:	decorative valve radiator with a stylish front and a height of 200 mm
Finishing:	decorative stylish front, upper grille and side panels
Pre-installed:	adjustable Heimeier valve insert type 4368
Valve insert:	The integrated adjustable valve insert (without thermostatic head) is factory-fit on the right side of the radiator; CEN certified, tested in accordance with EN215 and compatible with thermostatic heads M30 x 1,5 mm.
Also supplied:	air vent and blind plugs
Connections:	6 x ½" female connection (2 x ½" lateral bottom connection included).
Lugs:	no lugs
Packaging:	Every radiator is sturdily packaged in high-quality cardboard and wrapped in plastic. The radiator's characteristics are shown on the label: type – height – length.
Warranty:	10 years, as long as the installation instructions have been followed and Stelrad's warranty conditions have been met.
Paint process:	All radiators are degreased, phosphated, primed and powder-coated in Stelrad white 9016 as standard.
Colours:	Stelrad white 9016 + 35 different Stelrad colours and about 200 RAL-colours are possible
Max. operating pressure:	10 bar (tested to 13 bar)
Max. operating temperature:	110 °C
Conformity:	in accordance with EN442
Types:	22   33   44
Height:	200 mm
Lengths:	1.000 – 2.600 mm
Depths:	102   160   218 mm



## General information

### PLANAR PLINTH D

Because large window sections are being increasingly used in modern architecture, the Planar Plinth D has a flat front and back panel. It's Stelrad's response to the growing demand for decorative plinth radiators.

Despite their modest size the Planar Plinth D radiators still achieve high heat outputs.

Moreover this radiator can be connected either as a valve or as a compact radiator:

Product:	decorative valve radiator with a flat front and rear and a height of 200 mm
Finishing:	decorative flat front and rear, upper grille and side panels
Pre-installed:	adjustable Heimeier valve insert type 4368
Valve insert:	The integrated adjustable valve insert (without thermostatic head) is factory-fit on the right side of the radiator; CEN certified, tested in accordance with EN215 and compatible with thermostatic heads M30 x 1,5 mm.
Also supplied:	air vent and blind plugs
Connections:	6 x 1/2" female connection (2 x 1/2" lateral bottom connection included).
Lugs:	no lugs
Packaging:	Every radiator is sturdily packaged in high-quality cardboard and wrapped in plastic. The radiator's characteristics are shown on the label: type – height – length.
Warranty:	10 years, as long as the installation instructions have been followed and Stelrad's warranty conditions have been met.
Paint process:	All radiators are degreased, phosphated, primed and powder-coated in Stelrad white 9016 as standard.
Colours:	Stelrad white 9016 + 35 different Stelrad colours and about 200 RAL-colours are possible
Max. operating pressure:	10 bar (tested to 13 bar)
Max. operating temperature:	110 °C
Conformity:	in accordance with EN442
Types:	22   33   44
Height:	200 mm
Lengths:	1.000 – 2.600 mm
Depths:	104   162   220 mm



## General information

### PLANAR STYLE PLINTH D

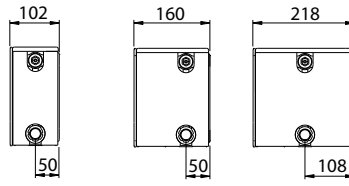
Low radiators are highly suitable for spaces with large floor-to-ceiling windows. The cold air from a window is immediately converted into pleasant warmth. With a stylised front and rear, a decorative upper grille and side panels the Planar Style Plinth D radiator ensures optimal warmth with a minimum of height and a great double finish! Moreover this radiator can be connected either as a valve or as a compact radiator.

Product:	decorative valve radiator with a stylish front and rear and a height of 200 mm
Finishing:	decorative stylish front and rear, upper grille and side panels
Pre-installed:	adjustable Heimeier valve insert type 4368
Valve insert:	The integrated adjustable valve insert (without thermostatic head) is factory-fit on the right side of the radiator, CEN certified, tested in accordance with EN215 and compatible with thermostatic heads M30 x 1,5 mm.
Also supplied:	air vent and blind plugs
Connections:	6 x ½" female connection (2 x ½" lateral bottom connection included).
Lugs:	no lugs
Packaging:	Every radiator is sturdily packaged in high-quality cardboard and wrapped in plastic. The radiator's characteristics are shown on the label: type – height – length.
Warranty:	10 years, as long as the installation instructions have been followed and Stelrad's warranty conditions have been met.
Paint process:	All radiators are degreased, phosphated, primed and powder-coated in Stelrad white 9016 as standard.
Colours:	Stelrad white 9016 + 35 different Stelrad colours and about 200 RAL-colours are possible
Max. operating pressure:	10 bar (tested to 13 bar)
Max. operating temperature:	110 °C
Conformity:	in accordance with EN442
Types:	22   33   44
Height:	200 mm
Lengths:	1.000 – 2.600 mm
Depths:	104   162   220 mm



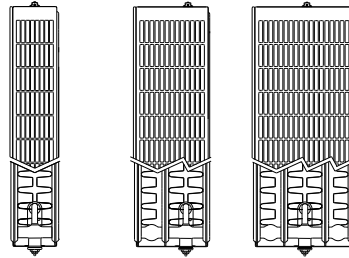
## Type overview Planar Plinth and Planar Style Plinth

Calculation factor  
per meter  
at 75/65/20°C  
according to EN442



Characteristic equation:

$$\Phi = K_M \times \Delta T^n$$

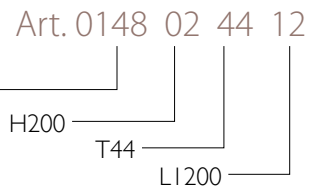


Height		Type 22	Type 33	Type 44	Centre distance
200	W	611	918	1.197	150
	kg	12,30	17,60	23,00	
	l	2,80	4,20	5,60	
	m²	2,05	3,08	4,10	
	n	1,26	1,28	1,29	

W=heat output per meter / kg=weight per meter / l=content per meter / m²=surface per meter / n=exponent  
The manufacturer reserves the right to alter any of the specifications shown in this document without prior notice.

## Heat outputs in Watt according to EN442

On the label:  
PLAN PLINTH T22-44: 0148  
PLINTH DECO T22-44: 0251



- EN442 (W) 70/50/20°C**
- EN442 (W) 55/45/20°C**
- EN442 (W) 75/65/20°C**

Stelrad BV/PLI19/0107/E013

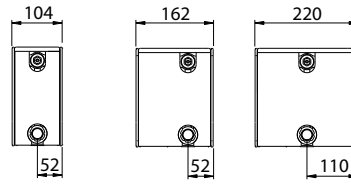
Height	200			Height
Type	22	33	44	Type
<b>1000</b>	461	690	897	<b>1000</b>
	321	478	619	
	611	918	1.197	
<b>1200</b>	553	829	1.076	<b>1200</b>
	385	574	742	
	733	1.102	1.436	
<b>1400</b>	645	966	1.256	<b>1400</b>
	449	669	866	
	855	1.285	1.676	
<b>1600</b>	738	1.105	1.436	<b>1600</b>
	513	765	990	
	978	1.469	1.915	
<b>1800</b>	830	1.242	1.615	<b>1800</b>
	578	861	1.114	
	1.100	1.652	2.155	
<b>2000</b>	922	1.381	1.795	<b>2000</b>
	642	956	1.238	
	1.222	1.836	2.394	
<b>2200</b>	1.014	1.519	1.974	<b>2200</b>
	706	1.052	1.361	
	1.344	2.020	2.633	
<b>2400</b>	1.106	1.657	2.154	<b>2400</b>
	770	1.148	1.485	
	1.466	2.203	2.873	
<b>2600</b>	1.199	1.795	2.333	<b>2600</b>
	834	1.243	1.609	
	1.589	2.387	3.112	





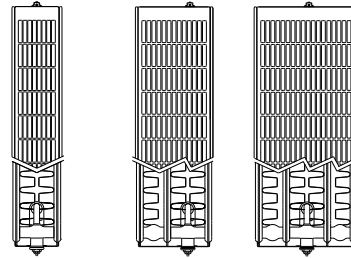
## Type overview Planar Plinth D and Planar Style Plinth D

Calculation factor  
per meter  
at 75/65/20°C  
according to EN442



Characteristic equation:

$$\Phi = K_M \times \Delta T^n$$

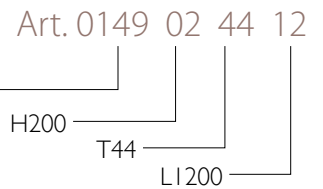


Height		Type 22	Type 33	Type 44	Centre distance
200	W	576	906	1.181	150
	kg	13,50	19,30	24,60	
	l	2,80	4,20	5,60	
	m²	2,05	3,08	4,10	
	n	1,27	1,26	1,28	

W=heat output per meter / kg=weight per meter / l=content per meter / m²=surface per meter / n=exponent  
The manufacturer reserves the right to alter any of the specifications shown in this document without prior notice.

## Heat outputs in Watt according to EN442

On the label:  
PLAN PLINTH D T22-44: 0149  
PLINTH DECO D T22-44: 0252



EN442 (W)	70/50/20°C
EN442 (W)	55/45/20°C
EN442 (W)	75/65/20°C

Stelrad BV/PLI19/0107/E013

Height	200			Height
Type	22	33	44	Type
1000	434	684	887	1000
	301	477	613	
	576	906	1.181	
1200	521	821	1.064	1200
	362	572	735	
	691	1.087	1.417	
1400	607	958	1.241	1400
	422	667	858	
	806	1.268	1.653	
1600	695	1.095	1.419	1600
	482	763	981	
	922	1.450	1.890	
1800	781	1.232	1.596	1800
	543	858	1.103	
	1.037	1.631	2.126	
2000	868	1.369	1.773	2000
	603	953	1.226	
	1.152	1.812	2.362	
2200	955	1.505	1.951	2200
	663	1.048	1.348	
	1.267	1.993	2.598	
2400	1.041	1.642	2.128	2400
	723	1.143	1.471	
	1.382	2.174	2.834	
2600	1.129	1.779	2.306	2600
	784	1.239	1.594	
	1.498	2.356	3.071	



## General information

### RENO PLANAR

The Reno Planar is a compact radiator, with a beautiful decorative flat front, specially designed for use in home renovations. Its very specific dimensions make it possible to replace the old cast iron and column radiators while preserving the existing pipes. Simple and quick installation is possible without conversion. In addition, this radiator offers the same advantages as a compact radiator thanks to its finish with a sturdy housing and decorative grille.

Product:	the fully encased compact radiator with a flat front specifically developed for the renovation market
Finishing:	decorative flat front, upper grille and side panels
Also supplied:	installation instructions
Connections:	4 x ½" female connection
Lugs:	2 pairs of mounting lugs up to 1.600 mm and 3 pairs from 1.800 mm
Packaging:	Every radiator is sturdily packaged in high-quality cardboard and wrapped in plastic. The radiator's characteristics are shown on the label: type – height – length.
Warranty:	10 years, as long as the installation instructions have been followed and Stelrad's warranty conditions have been met.
Paint process:	All radiators are degreased, phosphated, cathodically primed and powder-coated in Stelrad white 9016 as standard.
Colours:	Stelrad white 9016 + 35 different Stelrad colours and about 200 RAL-colours are possible
Max. operating pressure:	10 bar (tested to 13 bar)
Max. operating temperature:	110 °C
Conformity:	in accordance with EN442
Types:	21   22   33
Heights:	550   950 mm
Lengths:	400 – 2.000 mm
Depths:	79   102   160 mm

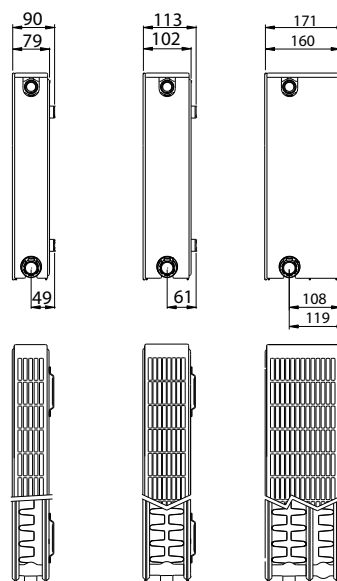


### Type overview

Calculation factor per meter at 75/65/20°C according to EN442

Characteristic equation:

$$\Phi = K_M \times \Delta T^n$$



Height		Type 21	Type 22	Type 33	Centre distance
550	W	1.146	1.524	2.176	500
	kg	31,89	36,60	53,33	
	l	5,95	5,95	9,00	
	m²	4,78	7,04	10,55	
	n	1,32	1,32	1,34	
950	W	1.815	2.309	3.300	900
	kg	50,85	56,45	81,25	
	l	10,45	10,50	15,63	
	m²	8,52	12,68	19,02	
	n	1,31	1,35	1,38	

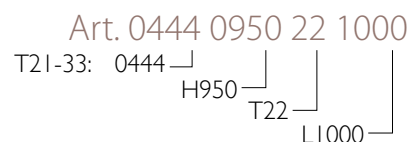
W=heat output per meter / kg=weight per meter / l=content per meter / m²=surface per meter / n=exponent  
The manufacturer reserves the right to alter any of the specifications shown in this document without prior notice.

## RENO PLANAR

Heat outputs in Watt according to EN442



On the label:  
RENO PLAN



**EN442 (W) 70/50/20°C**

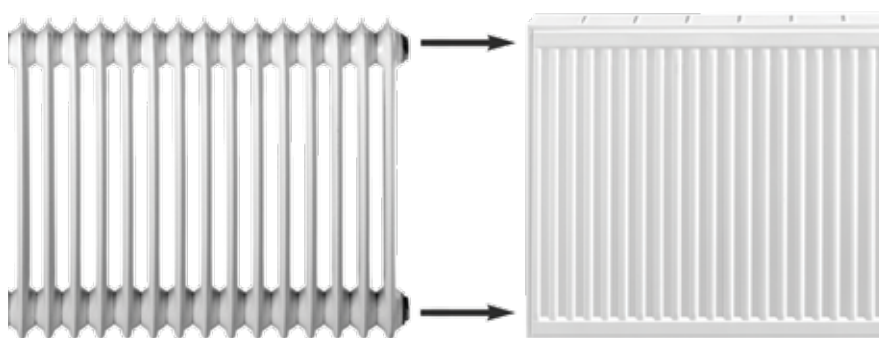
**EN442 (W) 55/45/20°C**

**EN442 (W) 75/65/20°C**

Height	550		
Type	21	22	33
<b>400</b>	341	454	646
	233	311	440
	458	610	870
<b>500</b>	427	568	807
	292	389	549
	573	762	1.088
<b>600</b>	512	682	969
	350	467	659
	688	914	1.306
<b>700</b>	597	795	1.130
	408	545	769
	802	1.067	1.523
<b>800</b>	683	909	1.292
	467	622	879
	917	1.219	1.741
<b>900</b>	768	1.022	1.453
	525	700	989
	1.031	1.372	1.958
<b>1000</b>	853	1.136	1.614
	583	778	1.099
	1.146	1.524	2.176
<b>1100</b>	939	1.250	1.776
	642	856	1.209
	1.261	1.676	2.394
<b>1200</b>	1.024	1.363	1.937
	700	933	1.319
	1.375	1.829	2.611
<b>1400</b>	1.195	1.590	2.260
	817	1.089	1.538
	1.604	2.134	3.046
<b>1600</b>	1.365	1.818	2.583
	933	1.245	1.758
	1.834	2.438	3.482
<b>1800</b>	1.536	2.045	2.906
	1.050	1.400	1.978
	2.063	2.743	3.917
<b>2000</b>	1.707	2.272	3.229
	1.167	1.556	2.198
	2.292	3.048	4.352

950			Height
21	22	33	Type
542	684	971	<b>400</b>
372	464	653	
726	924	1.320	
677	855	1.213	<b>500</b>
464	580	817	
908	1.155	1.650	
813	1.026	1.456	<b>600</b>
557	696	980	
1.089	1.385	1.980	
948	1.197	1.699	<b>700</b>
650	812	1.143	
1.271	1.616	2.310	
1.084	1.368	1.942	<b>800</b>
743	928	1.306	
1.452	1.847	2.640	
1.219	1.539	2.184	<b>900</b>
836	1.044	1.470	
1.634	2.078	2.970	
1.355	1.709	2.427	<b>1000</b>
929	1.160	1.633	
1.815	2.309	3.300	
1.490	1.880	2.670	<b>1100</b>
1.022	1.276	1.796	
1.997	2.540	3.630	
1.625	2.051	2.912	<b>1200</b>
1.115	1.392	1.960	
2.178	2.771	3.960	
1.896	2.393	3.398	<b>1400</b>
1.300	1.624	2.286	
2.541	3.233	4.620	
2.167	2.735	3.883	<b>1600</b>
1.486	1.856	2.613	
2.904	3.694	5.280	
2.438	3.077	4.368	<b>1800</b>
1.672	2.088	2.940	
3.267	4.156	5.940	
2.709	3.419	4.854	<b>2000</b>
1.858	2.320	3.266	
3.630	4.618	6.600	

Core assortment (Stelrad white 9016) available ex factory within 10 days.  
Core assortment is subject to change, please refer to [www.stelrad.eu](http://www.stelrad.eu) for the latest information.  
Delivery time depends on the model, please refer to your distributor:



## General information

### VERTEX SWING

With its attractive round contours the Vertex Swing radiator is set to charm anyone. Its specific design not only makes it look graceful, it also provides heating performance that exceeds expectations. You can also have the colour of the Vertex Swing seamlessly merge into your interior; or use it as an eye-catcher to give the space extra character. Whatever choices you make, the Vertex Swing offers you the ultimate solution.

Product:	decorative vertical radiator with a centre connection, a minimum distance to the wall and round curves
Finishing:	completely smooth, rounded design
Also supplied:	wall brackets, ETA safety screws and plugs, screws, plugs, air vent, blind plugs and installation instructions
Connections:	4 x ½" female connection (centre connection included)
Lugs:	no lugs
Packaging:	Every radiator is sturdily packaged with protective foam-filled bags, in high-quality cardboard and wrapped in plastic. The radiator's characteristics are shown on the label: type – height – length.
Warranty:	10 years, as long as the installation instructions have been followed and Stelrad's warranty conditions have been met.
Paint process:	All radiators are degreased, phosphated, cathodically primed and powder-coated in Stelrad white 9016 as standard.
Colours:	Stelrad white 9016 + 35 different Stelrad colours and about 200 RAL-colours are possible
Max. operating pressure:	10 bar (tested to 13 bar)
Max. operating temperature:	110 °C
Conformity:	in accordance with EN442
Types:	21   22
Heights:	1.820   2.020 mm
Lengths:	Type 21: 504   604   704 mm Type 22: 527   627   727 mm
Depths:	96   119 mm

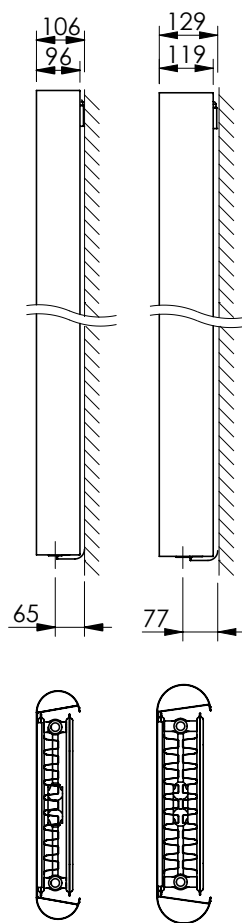


## Type overview

Calculation factor  
per nominal meter  
at 75/65/20°C  
according to EN442

Characteristic equation:

$$\Phi = K_M \times \Delta T^n$$



Height		Type 21	Type 22	Nominal height
1820	W	3.060	3.690	1800
	kg	96,00	105,30	
	l	15,90	15,90	
	m <sup>2</sup>	13,58	29,90	
	n	1,30	1,33	
2020	W	3.270	3.960	2000
	kg	106,20	116,40	
	l	17,70	17,70	
	m <sup>2</sup>	16,20	37,74	
	n	1,30	1,33	

W=heat output per nom. meter / kg=weight per nom. meter / l=content per nom. meter / m<sup>2</sup>=surface per nom. meter / n=exponent  
The manufacturer reserves the right to alter any of the specifications shown in this document without prior notice.

## General information

### VERTEX TANGO

With its natural sleek contours the Vertex Tango creates allure in any interior. Whether you choose a minimalist look or a cosy warm atmosphere, its seamless angular finish makes the Vertex Tango stylish and uniform in every way. Choose one of our colours to find the perfect harmony between your home and your Vertex Tango radiator.

Product:	decorative vertical radiator with a centre connection, a minimum distance to the wall and a neat angular look
Finishing:	completely smooth, angled design
Also supplied:	wall brackets, ETA safety screws and plugs, screws, plugs, air vent, blind plugs and installation instructions
Connections:	4 x ½" female connection (centre connection included)
Lugs:	no lugs
Packaging:	Every radiator is sturdily packaged with protective foam-filled bags, in high-quality cardboard and wrapped in plastic. The radiator's characteristics are shown on the label: type – height – length.
Warranty:	10 years, as long as the installation instructions have been followed and Stelrad's warranty conditions have been met.
Paint process:	All radiators are degreased, phosphated, cathodically primed and powder-coated in Stelrad white 9016 as standard.
Colours:	Stelrad white 9016 + 35 different Stelrad colours and about 200 RAL-colours are possible
Max. operating pressure:	10 bar (tested to 13 bar)
Max. operating temperature:	110 °C
Conformity:	in accordance with EN442
Types:	21   22
Heights:	1.820   2.020 mm
Lengths:	410   510   610 mm
Depths:	96   119 mm

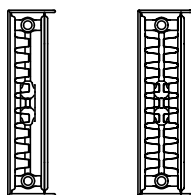
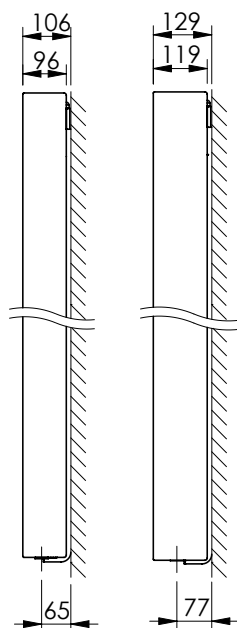


## Type overview

Calculation factor  
per nominal meter  
at 75/65/20°C  
according to EN442

Characteristic equation:

$$\dot{\Phi} = K_M \times \Delta T^n$$



Height		Type 21	Type 22	Nominal height
1820	W	3.060	3.690	1800
	kg	96,00	105,30	
	l	15,90	15,90	
	m <sup>2</sup>	13,58	29,90	
	n	1,30	1,33	
2020	W	3.270	3.960	2000
	kg	106,20	116,40	
	l	17,70	17,70	
	m <sup>2</sup>	16,20	37,74	
	n	1,30	1,33	

W=heat output per nom. meter / kg=weight per nom. meter / l=content per nom. meter / m<sup>2</sup>=surface per nom. meter / n=exponent  
The manufacturer reserves the right to alter any of the specifications shown in this document without prior notice.

## General information

### VERTEX SLIM

The Vertex Slim is the ultimate design radiator for anyone preferring a sleek and masterly design. The completely uniform front and recessed black side panels and upper grille give the radiator an unparalleled aura. Its excellent bi-colour finish adds extra class to your home, even if the space is limited.

Product:	decorative vertical radiator with a centre connection and a smooth front panel and recessed black side panels
Finishing:	completely smooth design with jointless recessed black side panels
Also supplied:	wall brackets, ETA safety screws and plugs, screws, plugs, air vent, blind plugs and installation instructions
Connections:	4 x ½" female connection (centre connection included)
Lugs:	no lugs
Packaging:	Every radiator is sturdily packaged with protective foam-filled bags, in high-quality cardboard and wrapped in plastic. The radiator's characteristics are shown on the label: type – height – length.
Warranty:	10 years, as long as the installation instructions have been followed and Stelrad's warranty conditions have been met.
Paint process:	All radiators are degreased, phosphated, cathodically primed and powder-coated in Stelrad white 9016 as standard.
Colours front panel:	Stelrad white 9016 + 35 different Stelrad colours and about 200 RAL-colours are possible
Colour side panel:	SN170 black
Max. operating pressure:	10 bar (tested to 13 bar)
Max. operating temperature:	110 °C
Conformity:	in accordance with EN442
Types:	11   21   22
Heights:	1.840   2.040 mm
Lengths:	470   570   670 mm
Depths:	73   96   119 mm



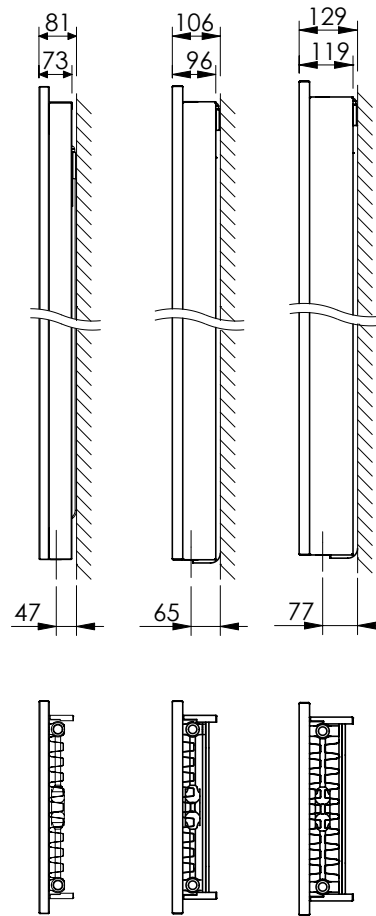


## Type overview

Calculation factor  
per nominal meter  
at 75/65/20°C  
according to EN442

Characteristic equation:

$$\Phi = K_M \times \Delta T^n$$



Height		Type 11	Type 21	Type 22	Nominal height
1840	W	2.133	3.060	3.690	1800
	kg	63,00	96,00	105,30	
	l	8,10	15,90	15,90	
	m <sup>2</sup>	9,86	13,58	29,90	
	n	1,30	1,30	1,33	
2040	W	2.298	3.270	3.960	2000
	kg	69,60	106,20	116,40	
	l	9,00	17,70	17,70	
	m <sup>2</sup>	12,15	16,20	37,74	
	n	1,30	1,30	1,33	

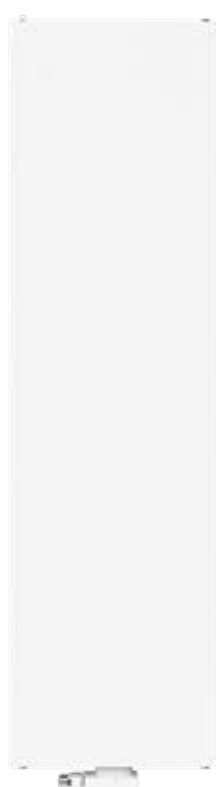
W=heat output per nom. meter / kg=weight per nom. meter / l=content per nom. meter / m<sup>2</sup>=surface per nom. meter / n=exponent  
The manufacturer reserves the right to alter any of the specifications shown in this document without prior notice.

## General information

### VERTEX PLAN

The Vertex Plan combines a sleek and decorative appearance and is perfect for applications where wall space is at a premium. This radiator can be perfectly combined with the Planar 8 to provide a modern design and consistent look throughout your whole home.

Product:	decorative vertical radiator with a centre connection and a flat front
Finishing:	decorative flat front and side panels
Also supplied:	wall brackets, ETA safety screws and plugs, screws, plugs, air vent, blind plugs and installation instructions
Connections:	4 x ½" female connection (centre connection included)
Lugs:	no lugs
Packaging:	Every radiator is sturdily packaged in high-quality cardboard and wrapped in plastic. The radiator's characteristics are shown on the label: type – height – length.
Warranty:	10 years, as long as the installation instructions have been followed and Stelrad's warranty conditions have been met.
Paint process:	All radiators are degreased, phosphated, cathodically primed and powder-coated in Stelrad white 9016 as standard.
Colours:	Stelrad white 9016 + 35 different Stelrad colours and about 200 RAL-colours are possible
Max. operating pressure:	10 bar (tested to 13 bar)
Max. operating temperature:	110 °C
Conformity:	in accordance with EN442
Quality assurance:	NF
Types:	11   20   21   22
Heights:	1.600   1.800   2.000   2.200 mm
Lengths:	300   400   500   600   700 mm
Depths:	49   79   79   102 mm

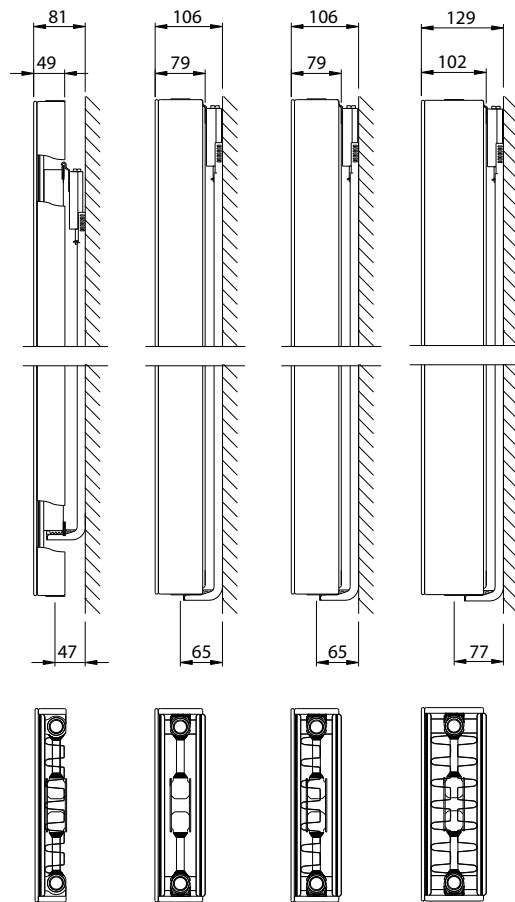


## Type overview

Calculation factor  
per meter  
at 75/65/20°C  
according to EN442

Characteristic equation:

$$\Phi = K_M \times \Delta T^n$$



Height		Type 11	Type 20	Type 21	Type 22	Height
1600	W	1.959	2.310	2.808	3.420	1600
	kg	56,10	77,70	85,80	94,20	
	l	7,20	14,10	14,10	14,10	
	m <sup>2</sup>	9,40	7,33	12,66	28,99	
	n	1,31	1,27	1,31	1,32	
1800	W	2.133	2.532	3.060	3.690	1800
	kg	63,00	86,70	96,00	105,30	
	l	8,10	16,20	15,90	15,90	
	m <sup>2</sup>	9,86	8,25	13,58	29,90	
	n	1,30	1,27	1,30	1,33	
2000	W	2.298	2.748	3.270	3.960	2000
	kg	69,60	95,40	106,20	116,40	
	l	9,00	18,30	17,70	17,70	
	m <sup>2</sup>	12,15	9,17	16,20	37,74	
	n	1,30	1,27	1,30	1,33	
2200	W	2.454	2.958	3.510	4.230	2200
	kg	75,60	105,60	116,40	126,60	
	l	9,90	20,10	20,10	20,10	
	m <sup>2</sup>	12,61	10,09	17,11	38,66	
	n	1,29	1,27	1,30	1,33	

W=heat output per meter / kg=weight per meter / l=content per meter / m<sup>2</sup>=surface per meter / n=exponent  
The manufacturer reserves the right to alter any of the specifications shown in this document without prior notice.

## General information

### VERTEX STYLE

In both traditional and trendy newly build and renovation projects large glazed sections and terrace windows are often used to optimise natural lighting and thus limiting the open wall space. With the Vertex Style Stelrad offers you the ideal solution. When combining the Vertex Style with Planar Style 8 and Compact Style models a light and spacious feeling is created throughout your home.

Product:	decorative vertical radiator with a centre connection and a stylised front
Finishing:	decorative stylised front and side panels
Also supplied:	wall brackets, ETA safety screws and plugs, screws, plugs, air vent, blind plugs and installation instructions
Connections:	4 x ½" female connection (centre connection included)
Lugs:	no lugs
Packaging:	Every radiator is sturdily packaged in high-quality cardboard and wrapped in plastic. The radiator's characteristics are shown on the label: type – height – length.
Warranty:	10 years, as long as the installation instructions have been followed and Stelrad's warranty conditions have been met.
Paint process:	All radiators are degreased, phosphated, cathodically primed and powder-coated in Stelrad white 9016 as standard.
Colours:	Stelrad white 9016 + 35 different Stelrad colours and about 200 RAL-colours are possible
Max. operating pressure:	10 bar (tested to 13 bar)
Max. operating temperature:	110 °C
Conformity:	in accordance with EN442
Quality assurance:	NF
Types:	11   20   21   22
Heights:	1.600   1.800   2.000   2.200 mm
Lengths:	300   400   500   600   700 mm
Depths:	49   79   79   102 mm

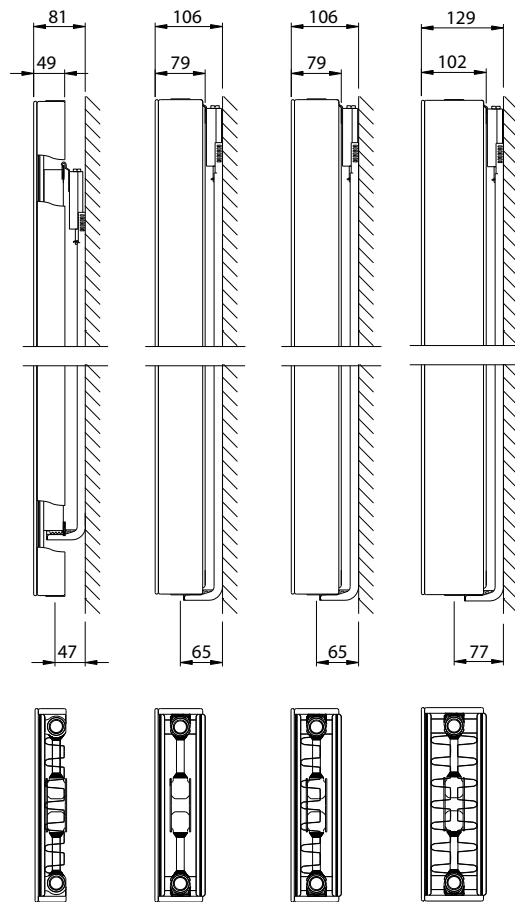


## Type overview

Calculation factor  
per meter  
at 75/65/20°C  
according to EN442

Characteristic equation:

$$\Phi = K_M \times \Delta T^n$$



Height		Type 11	Type 20	Type 21	Type 22	Height
1600	W	1.959	2.310	2.808	3.420	1600
	kg	56,10	77,70	85,80	94,20	
	l	7,20	14,10	14,10	14,10	
	m <sup>2</sup>	9,40	7,33	12,66	28,99	
	n	1,31	1,27	1,31	1,32	
1800	W	2.133	2.532	3.060	3.690	1800
	kg	63,00	86,70	96,00	105,30	
	l	8,10	16,20	15,90	15,90	
	m <sup>2</sup>	9,86	8,25	13,58	29,90	
	n	1,30	1,27	1,30	1,33	
2000	W	2.298	2.748	3.270	3.960	2000
	kg	69,60	95,40	106,20	116,40	
	l	9,00	18,30	17,70	17,70	
	m <sup>2</sup>	12,15	9,17	16,20	37,74	
	n	1,30	1,27	1,30	1,33	
2200	W	2.454	2.958	3.510	4.230	2200
	kg	75,60	105,60	116,40	126,60	
	l	9,90	20,10	20,10	20,10	
	m <sup>2</sup>	12,61	10,09	17,11	38,66	
	n	1,29	1,27	1,30	1,33	

W=heat output per meter / kg=weight per meter / l=content per meter / m<sup>2</sup>=surface per meter / n=exponent  
The manufacturer reserves the right to alter any of the specifications shown in this document without prior notice.

## VERTEX SWING

Heat outputs in Watt according to EN442



On the label:  
VERTICAL SWING T21-22: Art. 0278 18 22 04  
H1820 T22 L527

- EN442 (W) 70/50/20°C**
- EN442 (W) 55/45/20°C**
- EN442 (W) 75/65/20°C**

Steirrad BV/PL19/01/07/E013

Height	1820	2020	Height	1820	2020
Type	21		Type	22	
<b>504</b>	915 629 1.224	979 673 1.308	<b>527</b>	1.098 750 1.476	1.178 804 1.584
<b>604</b>	1.144 786 1.530	1.223 841 1.635	<b>627</b>	1.373 938 1.845	1.472 1.005 1.980
<b>704</b>	1.372 943 1.836	1.468 1.010 1.962	<b>727</b>	1.647 1.125 2.214	1.767 1.206 2.376

## VERTEX TANGO

Steirrad BV/PL19/01/07/E013

Height	1820		2020		Height
Type	21	22	21	22	Type
<b>410</b>	915 629 1.224	1.098 750 1.476	979 673 1.308	1.178 804 1.584	<b>410</b>
<b>510</b>	1.144 786 1.530	1.373 938 1.845	1.223 841 1.635	1.472 1.005 1.980	<b>510</b>
<b>610</b>	1.372 943 1.836	1.647 1.125 2.214	1.468 1.010 1.962	1.767 1.206 2.376	<b>610</b>

On the label:  
VERTICAL TANGO T21-22: Art. 0277 18 22 04  
H1820 T22 L410

## VERTEX SLIM

Steirrad BV/PL19/01/07/E013

Height	1840			2040			Height
Type	11	21	22	11	21	22	Type
<b>470</b>	638 439 853	915 629 1.224	1.098 750 1.476	688 474 919	979 673 1.308	1.178 804 1.584	<b>470</b>
<b>570</b>	797 548 1.067	1.144 786 1.530	1.373 938 1.845	860 592 1.149	1.223 841 1.635	1.472 1.005 1.980	<b>570</b>
<b>670</b>	957 659 1.280	1.372 943 1.836	1.647 1.125 2.214	1.032 711 1.379	1.468 1.010 1.962	1.767 1.206 2.376	<b>670</b>

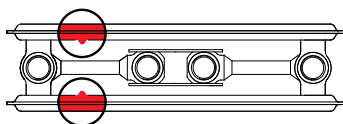
On the label:  
VERTICAL SLIM T11-22: Art. 0279 18 22 04  
H1840 T22 L470

## CONNECTION POSSIBILITIES VERTEX SWING, TANGO, SLIM

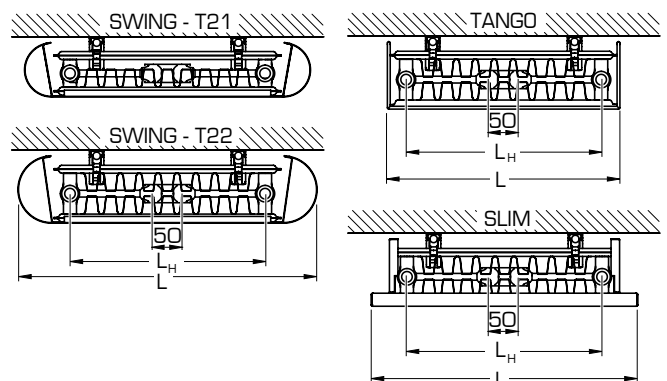
View: front of radiator



L				L <sub>H</sub>	L <sub>nom</sub>
Swing T21	Swing T22	Tango	Slim	centre distance	
504	527	410	470	344	400
604	627	510	570	444	500
704	727	610	670	544	600



● flow lock



# VERTEX PLAN

Heat outputs in Watt according to EN442



**EN442 (W) 70/50/20°C**

**EN442 (W) 55/45/20°C**

**EN442 (W) 75/65/20°C**

On the label:  
VERTICAL PLAN T11-22: Art. 0275 18 22 04  
H1800 T22 L400

Stelrad BV/PL19/0107/E013

Height	1600			
	Type	11	20	21
300	439	522	629	764
	302	362	432	522
	588	693	842	1.026
400	586	696	839	1.018
	403	483	576	696
	784	924	1.123	1.368
500	732	870	1.049	1.273
	503	604	720	870
	980	1.155	1.404	1.710
600	878	1.044	1.259	1.528
	603	724	864	1.044
	1.175	1.386	1.685	2.052
700	1.025	1.218	1.468	1.782
	704	845	1.008	1.218
	1.371	1.617	1.966	2.394

1800				
Type	11	20	21	22
300	479	572	686	824
	329	397	472	563
	640	760	918	1.107
400	638	763	915	1.098
	439	529	629	750
	853	1.013	1.224	1.476
500	797	953	1.144	1.373
	548	661	786	938
	1.067	1.266	1.530	1.845
600	957	1.144	1.372	1.647
	659	793	943	1.125
	1.280	1.519	1.836	2.214
700	1.117	1.334	1.601	1.922
	768	926	1.100	1.313
	1.493	1.772	2.142	2.583

2000				
Type	11	20	21	22
300	516	620	734	883
	355	430	505	603
	689	824	981	1.188
400	688	827	979	1.178
	474	574	673	804
	919	1.099	1.308	1.584
500	860	1.034	1.223	1.472
	592	717	841	1.005
	1.149	1.374	1.635	1.980
600	1.032	1.242	1.468	1.767
	711	861	1.010	1.206
	1.379	1.649	1.962	2.376
700	1.205	1.449	1.712	2.061
	830	1.005	1.178	1.407
	1.609	1.924	2.289	2.772

2200				Height
Type	11	20	21	
300	552	668	788	943
	380	463	543	643
	736	887	1.053	1.269
400	736	891	1.051	1.257
	507	618	724	858
	982	1.183	1.404	1.692
500	920	1.113	1.314	1.572
	634	772	905	1.072
	1.227	1.479	1.755	2.115
600	1.103	1.336	1.577	1.886
	761	927	1.086	1.286
	1.472	1.775	2.106	2.538
700	1.287	1.559	1.839	2.200
	888	1.081	1.267	1.501
	1.718	2.071	2.457	2.961

On the label:  
VERTICAL DECO T11-22: Art. 0276 18 22 04  
H1800 T22 L400

# VERTEX STYLE

Stelrad BV/PL19/0107/E013

Height	1600			
	Type	11	20	21
300	439	522	629	764
	302	362	432	522
	588	693	842	1.026
400	586	696	839	1.018
	403	483	576	696
	784	924	1.123	1.368
500	732	870	1.049	1.273
	503	604	720	870
	980	1.155	1.404	1.710
600	878	1.044	1.259	1.528
	603	724	864	1.044
	1.175	1.386	1.685	2.052
700	1.025	1.218	1.468	1.782
	704	845	1.008	1.218
	1.371	1.617	1.966	2.394

1800				
Type	11	20	21	22
300	479	572	686	824
	329	397	472	563
	640	760	918	1.107
400	638	763	915	1.098
	439	529	629	750
	853	1.013	1.224	1.476
500	797	953	1.144	1.373
	548	661	786	938
	1.067	1.266	1.530	1.845
600	957	1.144	1.372	1.647
	659	793	943	1.125
	1.280	1.519	1.836	2.214
700	1.117	1.334	1.601	1.922
	768	926	1.100	1.313
	1.493	1.772	2.142	2.583

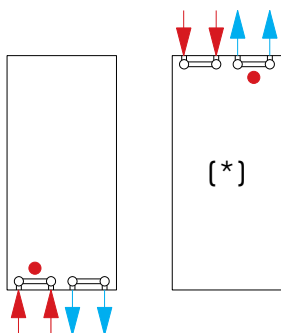
2000				
Type	11	20	21	22
300	516	620	734	883
	355	430	505	603
	689	824	981	1.188
400	688	827	979	1.178
	474	574	673	804
	919	1.099	1.308	1.584
500	860	1.034	1.223	1.472
	592	717	841	1.005
	1.149	1.374	1.635	1.980
600	1.032	1.242	1.468	1.767
	711	861	1.010	1.206
	1.379	1.649	1.962	2.376
700	1.205	1.449	1.712	2.061
	830	1.005	1.178	1.407
	1.609	1.924	2.289	2.772

2200				Height
Type	11	20	21	
300	552	668	788	943
	380	463	543	643
	736	887	1.053	1.269
400	736	891	1.051	1.257
	507	618	724	858
	982	1.183	1.404	1.692
500	920	1.113	1.314	1.572
	634	772	905	1.072
	1.227	1.479	1.755	2.115
600	1.103	1.336	1.577	1.886
	761	927	1.086	1.286
	1.472	1.775	2.106	2.538
700	1.287	1.559	1.839	2.200
	888	1.081	1.267	1.501
	1.718	2.071	2.457	2.961

Core assortment (Stelrad white 9016) available ex factory within 10 days. Core assortment is subject to change, please refer to [www.stelrad.eu](http://www.stelrad.eu) for the latest information. Delivery time depends on the model, please refer to your distributor.

# CONNECTION POSSIBILITIES VERTEX PLAN · VERTEX STYLE

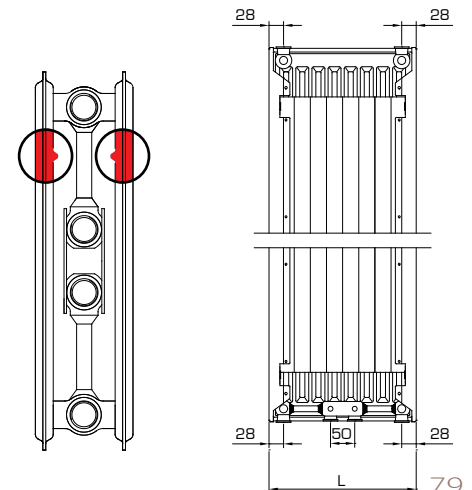
View: front of radiator



(\*) With these connection options, both the supply and return must be vented.

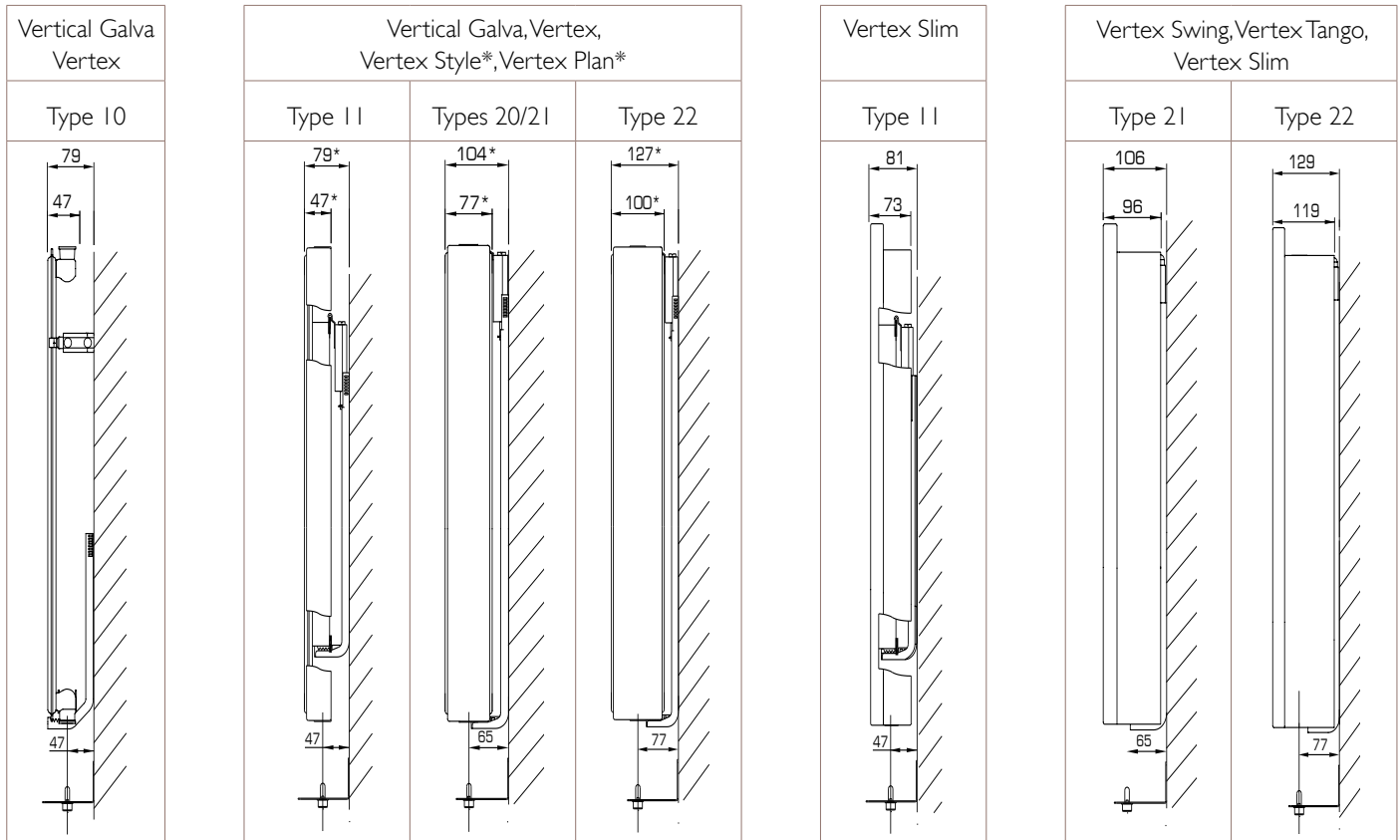
Top connection allowed provided there is a temperature difference between flow and return of maximum 20°C.

flow lock ●



# WALL BRACKETS

Vertex Swing · Vertex Tango · Vertex Slim · Vertex Plan · Vertex Style · Vertical Galva · Vertex



\* size +2 mm

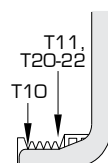
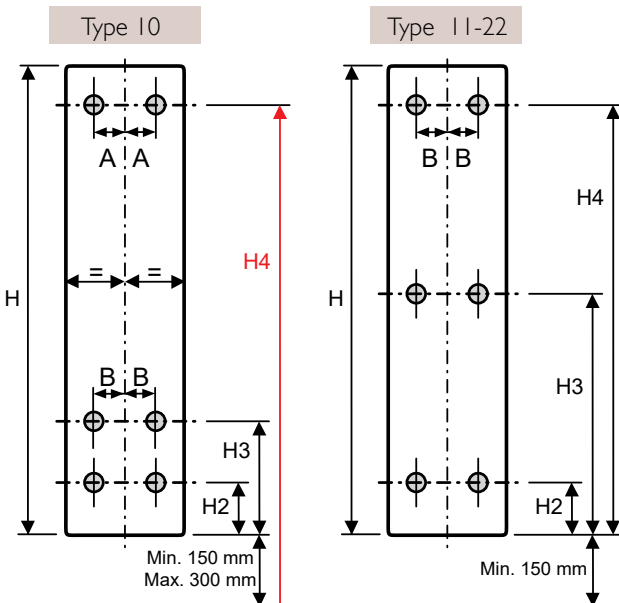
Nominal Height (mm)	Type 10			Type 11			Types 20-22		
	H2	H3	H4	H2	H3	H4	H2	H3	H4
1600	170	270	1500	160	730	1300	70	740	1410
1800	170	270	1700	160	830	1500	70	840	1610
2000	170	270	1900	160	930	1700	70	940	1810
2200	170	270	2100	160	1030	1900	70	1040	2010

Nominal Length (mm)	Type 10		Type 11	Types 20-22
	A	B	B	B
300	45	75	50	60
400	95	125	80	110
500	145	175	130	160
600	195	225	180	210
700	245	275	230	260

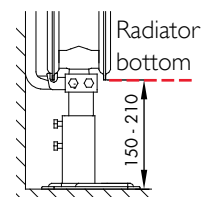
Always refer to the installation instructions and safety regulations before mounting a radiator!

An additional floor support for vertical radiators (types 20-22) is available for weak walls. A professional inspection of the wall should always be conducted prior to mounting the radiator.

**ATTENTION:**  
Always to be used in combination with the supplied wall brackets!



(Art. T1180)

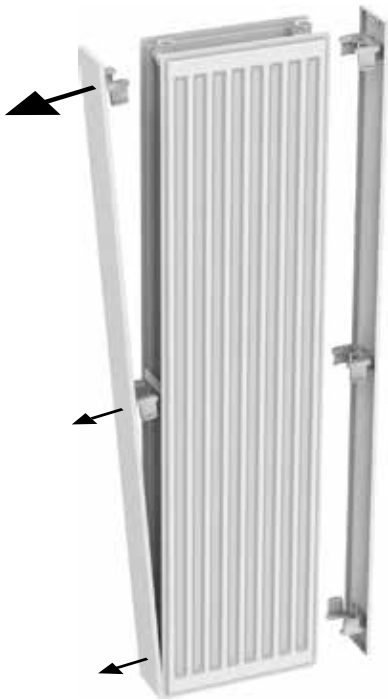




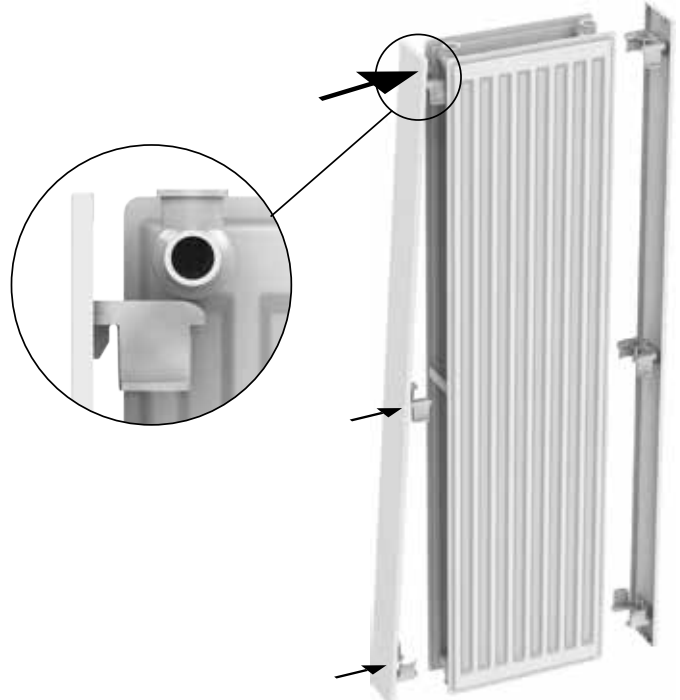
# MOUNTING & DISMOUNTING - DRESSING

Vertex Plan · Vertex Style · Vertical Galva · Vertex (Types 20/21/22)

Dismounting



Mounting



## GRILLE & BRACKET HIDER

Vertex Slim

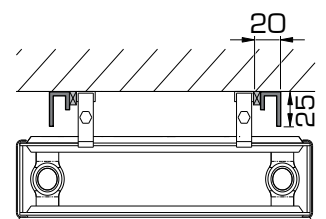
L (mm)	Art. N° (Type 11)	Art. N° (Type 21)	Art. N° (Type 22)
470	R35141104	R35142104	R35142204
570	R35141105	R35142105	R35142205
670	R35141106	R35142106	R35142206



Vertex Plan · Vertex Style · Vertical Galva · Vertex

Radiator height (mm)	Art. N°
1600	T117116
1800	T117118
2000	T117120
2200	T117122

Available for radiator types 11, 20, 21 and 22.  
colour: Stelrad white 9016  
Fast and easy subsequent mounting

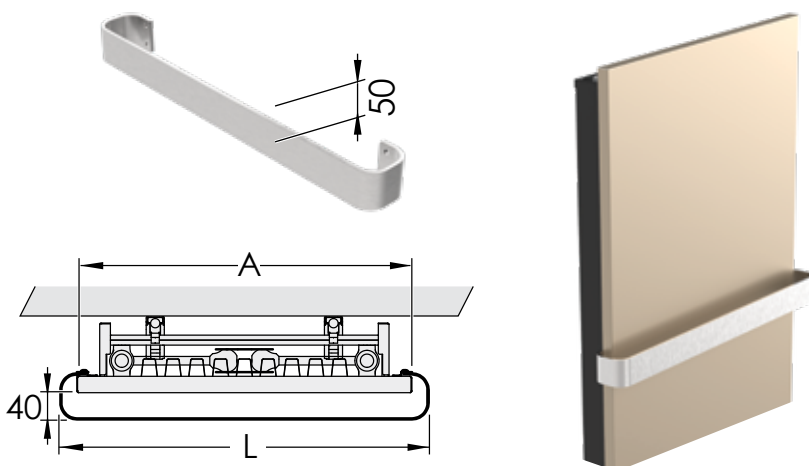


# TOWEL RAIL VERTICAL RADIATORS

## Vertex Slim

L (mm)	A (mm)	Art. N° White	Art. N° Stainless
<b>520</b>	470	T116104	T116204
<b>620</b>	570	T116105	T116205
<b>720</b>	670	T116106	T116206

Finish: brushed stainless steel or white painted  
(also available in SN170 black)  
3 mounting positions (+/-770, 1050 and 1350 mm  
above radiator bottom),  
multiple mounting is possible



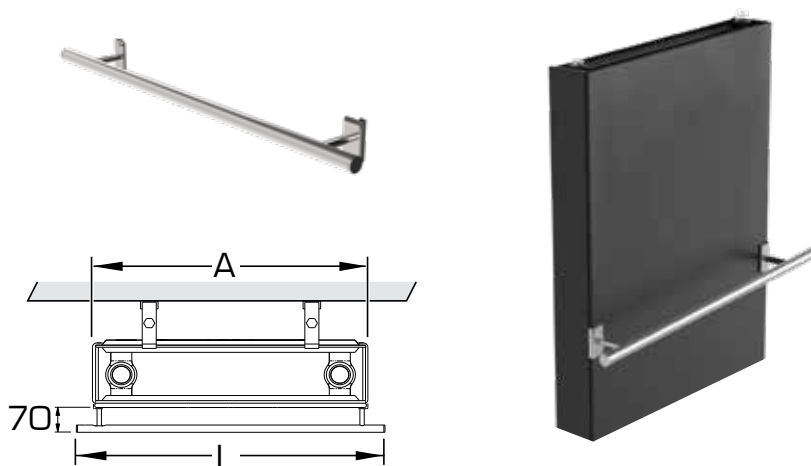
## Vertex Plan · Vertex Style · Vertical Galva (except type II)

### Vertex (except type II) · Vertex Slim\* · Vertex Plan E · Vertex E

L (mm)	A (mm)	Art. N°
<b>380</b>	300	T116403
<b>480</b>	400 (470*)	T116404
<b>580</b>	500 (570*)	T116405
<b>680</b>	600 (670*)	T116406
<b>780</b>	700	T116407

Finish: chrome, can be mounted at any position,  
multiple positions possible

\* Vertex Slim: only with adapter art. T1165



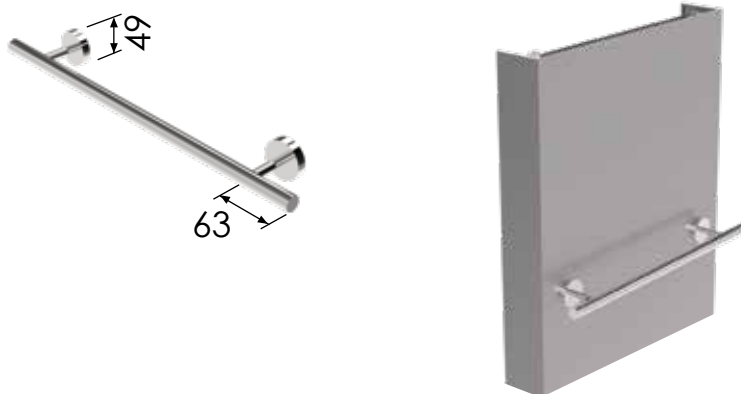
## Vertex Plan · Vertex Style · Vertex Swing · Vertex Tango

### Vertex Slim · Vertex Plan E

L (mm)	A (mm)	Art. Nr.
<b>400</b>	<b>400</b>	T116604
<b>500</b>	<b>500</b>	T116605
<b>600</b>	<b>600</b>	T116606
<b>700</b>	<b>700</b>	T116607

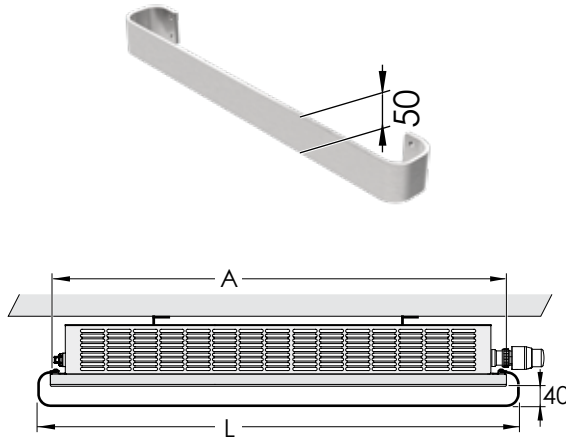
Finish: chrome

Magnetic holders, can be mounted at any position,  
multiple positions possible



# TOWEL RAILS HORIZONTAL RADIATORS

## Planar Slim ECO

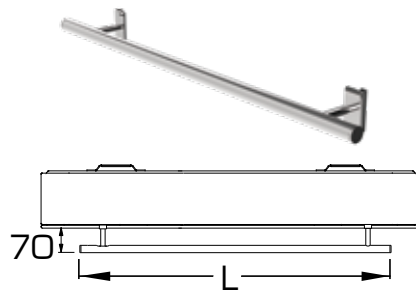


L (mm)	A (mm)	Art. N° White	Art. N° Stainless steel
720	670	T116106	T116206
920	870	T116108	T116208
1120	1070	T116110	T116210

Rail width: 50 mm

Finish: brushed stainless steel or white painted aluminum (also available in SNI 70 black)

Planar VENTO · Compact VENTO · Novello ECO · Planar Slim ECO\*  
Planar ECO · Planar Style ECO · Planar 8 · Planar Style 8 · Planar Compact Planar · Compact Style · Reno · Reno Planar · Novello 8 Novello · Compact All In

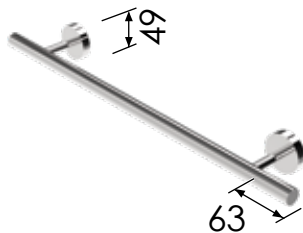


L (mm)	Art. N°
380	T116403
480	T116404
580	T116405
680	T116406
780	T116407

Colour: chrome

\* Planar Slim ECO: only with adapter art.T1165

Planar VENTO · Planar Slim ECO · Planar ECO · Planar Style ECO  
Planar 8 · Planar Style 8 · Hygiene Planar 8 · Planar Compact Planar · Compact Style · Reno Planar

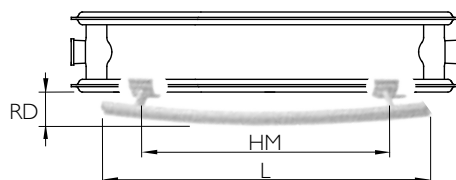


L (mm)	Art. N°
400	T116604
500	T116605
600	T116606
700	T116607

Finish: chrome

Magnetic holders, can be mounted at any position, multiple positions possible

Compact VENTO · Novello ECO · Hygiene ECO · ECO Galva  
Hygiene ECO Galva · Reno · Galva · Hygiene Galva · Hygiene Novello 8 · Novello · Compact All In



L (mm) Rail length	Art. N°	RD (mm)	HM (mm) towel dimension
400	T1149	62	260
500	T1150	66	360
600	T1151	69	460
800	T1152	80	600
1000	T1153	103	800

Mounting & dismantling of dressing: see pages 172 and 173

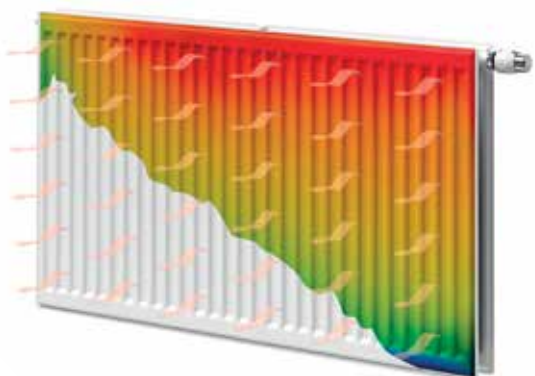
Colour: Stelrad white 9016 only

## General information

### ECO GALVA

The ECO radiator and its serial flow technology are perfectly suited to operate in low-temperature heating systems. This technology (water flows first through the front panel) results in higher energy efficiency, maximum radiation, faster heating rate and less waste of energy through the back wall. In addition, the ECO Galva radiator is treated with a protective galvanised coating, so it can be used without any concerns in wet areas.

Product:	low-temperature valve radiator with serial flow technology, perfectly suited for low-temperature heating systems and equipped with a protective galvanised coating underneath, both a centre and lateral bottom connection and a preset valve insert, which can be fitted on the left or right side of the radiator
Finishing:	protective galvanised coating without top grille or side panels
Pre-installed:	preset Heimeier 4368 or 4369 valve insert, ECO air vent and blind plugs
Valve insert:	The integrated adjustable valve insert (without thermostatic head) is factory-fit on the right side of the radiator; CEN certified, tested in accordance with EN215 and compatible with thermostatic heads M30 x 1,5 mm. For types 21, 22 and 33 the valve insert can also be fitted on the left side of the radiator. The thermostatic valve insert is factory-set in relation to the size of the radiator. This presetting ensures optimum throughput in the radiator. Factory setting for two-pipe systems, also suitable for one-pipe systems (as long as the valve insert is adjusted to position 8).
Also supplied:	VDI brackets with anti-lift (type Monclac), screws, plugs and installation instructions
Connections:	2 x ¾" male Eurocone centre connection and 2 x ½" female lateral bottom connection
Lugs:	2 pairs of mounting lugs up to 1.600 mm and 3 pairs from 1.800 mm
Packaging:	Every radiator is sturdily packaged in high-quality cardboard and wrapped in plastic. The product description is shown on the label: type – height – length.
Warranty:	10 years, as long as the installation instructions have been followed and Stelrad's warranty conditions have been met.
Paint process:	All radiators are galvanised, degreased, phosphated, cataphoretically primed and powder-coated in Stelrad white 9016 as standard.
Colours:	Stelrad white 9016 + 35 different Stelrad colours and about 200 RAL-colours are possible
Heat cost allocator:	Suitable for heat cost allocators, both electronic and according to the evaporation principle (covered by the norm of EN834 & EN835).
Max. operating pressure:	10 bar (tested to 13 bar)
Max. operating temperature:	110 °C
Conformity:	in accordance with EN442
Types:	11   21   22   33
Heights:	300   400   500   600   700   900 mm
Lengths:	400 – 3.000 mm
Depths:	60   77   100   158 mm

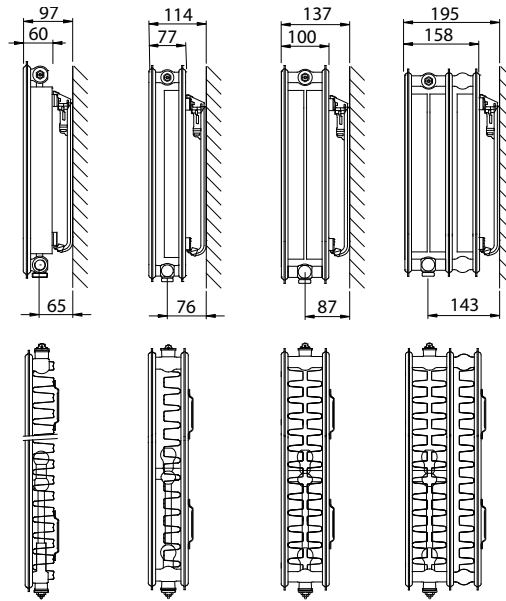


## Type overview

Calculation factor  
per meter  
at 75/65/20°C  
according to EN442

Characteristic equation:

$$\Phi = K_M \times \Delta T^n$$



Height		Type 11	Type 21	Type 22	Type 33	Height
300	W	517	770	958	1.349	300
	kg	8,38	13,85	15,50	22,90	
	l	1,89	3,45	3,45	5,20	
	m <sup>2</sup>	2,09	2,44	3,51	5,26	
	n	1,31	1,25	1,28	1,27	
400	W	687	978	1.212	1.726	400
	kg	11,68	18,28	20,55	30,53	
	l	2,34	4,62	4,62	6,93	
	m <sup>2</sup>	2,95	3,37	4,92	7,38	
	n	1,31	1,27	1,29	1,28	
500	W	848	1.174	1.452	2.071	500
	kg	14,99	22,72	25,60	38,17	
	l	2,80	5,78	5,78	8,67	
	m <sup>2</sup>	3,80	4,31	6,33	9,49	
	n	1,30	1,29	1,30	1,30	
600	W	1.000	1.360	1.679	2.387	600
	kg	18,30	27,15	30,65	45,80	
	l	3,25	6,95	6,95	10,40	
	m <sup>2</sup>	4,66	5,24	7,74	11,61	
	n	1,29	1,31	1,31	1,31	
700	W	1.142	1.538	1.896	2.674	700
	kg	21,33	31,32	35,63	53,18	
	l	3,77	8,12	8,12	11,27	
	m <sup>2</sup>	5,51	6,18	9,15	13,72	
	n	1,29	1,32	1,31	1,32	
900	W	1.397	1.872	2.303	3.171	900
	kg	27,40	39,65	45,60	67,94	
	l	4,80	10,45	10,45	13,00	
	m <sup>2</sup>	7,22	8,05	11,97	17,96	
	n	1,29	1,28	1,29	1,23	

W=heat output per meter / kg=weight per meter / l=content per meter / m<sup>2</sup>=surface per meter / n=exponent  
The manufacturer reserves the right to alter any of the specifications shown in this document without prior notice.

## ECO GALVA

Heat outputs in Watt according to EN442



**EN442 (W) 70/50/20°C**

**EN442 (W) 55/45/20°C**

**EN442 (W) 75/65/20°C**

Stelrad BV/PL 19/01/07/E013

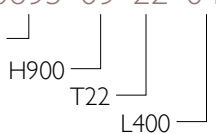
Height	300			
Type	11	21	22	33
<b>400</b>	154	233	288	407
	106	162	200	282
	207	308	383	540
<b>500</b>	192	291	360	507
	132	203	250	352
	259	385	479	675
<b>600</b>	231	349	433	609
	158	243	300	423
	310	462	575	809
<b>700</b>	270	407	505	711
	185	284	350	493
	362	539	671	944
<b>800</b>	309	466	576	812
	212	325	399	564
	414	616	766	1.079
<b>900</b>	347	524	649	914
	238	365	449	634
	465	693	862	1.214
<b>1000</b>	386	582	721	1.016
	264	406	499	705
	517	770	958	1.349
<b>1100</b>	424	640	793	1.117
	291	446	549	775
	569	847	1.054	1.484
<b>1200</b>	462	698	865	1.219
	317	487	599	846
	620	924	1.150	1.619
<b>1400</b>	540	815	1.009	1.422
	370	568	699	987
	724	1.078	1.341	1.889
<b>1600</b>		931	1.153	1.625
		649	799	1.127
		1.232	1.533	2.158
<b>1800</b>		1.048	1.297	1.828
		730	899	1.268
		1.386	1.724	2.428
<b>2000</b>		1.164	1.441	2.031
		811	999	1.409
		1.540	1.916	2.698
<b>2200</b>		1.280	1.586	2.235
		892	1.099	1.550
		1.694	2.108	2.968
<b>2400</b>		1.397	1.730	2.438
		974	1.198	1.691
		1.848	2.299	3.238
<b>2600</b>			1.874	
			1.299	
			2.491	
<b>2800</b>			2.018	
			1.398	
			2.682	
<b>3000</b>			2.162	
			1.498	
			2.874	

400			
11	21	22	33
205	294	364	518
141	204	251	358
275	391	485	690
257	368	455	648
177	255	314	448
344	489	606	863
308	442	546	778
211	306	377	538
412	587	727	1.036
359	516	636	907
247	358	439	627
481	685	848	1.208
411	589	728	1.037
282	408	503	717
550	782	970	1.381
462	662	819	1.166
317	459	565	806
618	880	1.091	1.553
513	736	910	1.296
353	510	628	896
687	978	1.212	1.726
565	810	1.000	1.426
388	562	691	986
756	1.076	1.333	1.899
616	884	1.091	1.555
423	613	754	1.075
824	1.174	1.454	2.071
719	1.030	1.273	1.814
494	715	879	1.254
962	1.369	1.697	2.416
821	1.178	1.455	2.074
564	817	1.005	1.434
1.099	1.565	1.939	2.762
924	1.325	1.637	2.333
635	919	1.131	1.613
1.237	1.760	2.182	3.107
1.027	1.472	1.819	2.592
705	1.021	1.256	1.792
1.374	1.956	2.424	3.452
	1.620	2.001	2.851
	1.123	1.382	1.971
	2.152	2.666	3.797
	1.767	2.183	3.110
	1.225	1.508	2.150
	2.347	2.909	4.142
		2.365	
		1.633	
		3.151	
		2.547	
		1.759	
		3.394	
		2.729	
		1.884	
		3.636	

500			
11	21	22	33
254	352	435	620
175	243	299	427
339	470	581	828
317	440	543	776
219	304	374	534
424	587	726	1.036
381	528	652	931
262	364	449	641
509	704	871	1.243
445	616	760	1.086
306	425	523	748
594	822	1.016	1.450
508	704	870	1.241
350	486	599	855
678	939	1.162	1.657
571	792	978	1.396
393	547	673	962
763	1.057	1.307	1.864
635	880	1.087	1.551
437	607	748	1.068
848	1.174	1.452	2.071
699	968	1.195	1.706
481	668	823	1.175
933	1.291	1.597	2.278
762	1.056	1.304	1.861
525	729	898	1.282
1.018	1.409	1.742	2.485
889	1.232	1.522	2.171
612	850	1.047	1.495
1.187	1.644	2.033	2.899
1.016	1.408	1.739	2.482
700	971	1.197	1.709
1.357	1.878	2.323	3.314
1.143	1.584	1.957	2.792
787	1.093	1.347	1.923
1.526	2.113	2.614	3.728
1.270	1.760	2.174	3.102
874	1.214	1.496	2.137
1.696	2.348	2.904	4.142
1.397	1.936	2.391	3.412
962	1.336	1.646	2.350
1.866	2.583	3.194	4.556
1.524	2.113	2.609	3.722
1.049	1.457	1.796	2.564
2.035	2.818	3.485	4.970
		2.826	
		1.945	
		3.775	
		3.043	
		2.095	
		4.066	
		3.260	
		2.244	
		4.356	

# ECO GALVA

On the label:  
GALVA ECO T11-33: 0695



Art. 0695 09 22 04

Height	600			
	11	21	22	33
<b>400</b>	300 207 400	406 279 544	502 344 672	713 490 955
<b>500</b>	375 259 500	508 348 680	627 430 840	892 612 1.194
<b>600</b>	450 311 600	609 418 816	752 516 1.007	1.069 734 1.432
<b>700</b>	525 363 700	711 488 952	877 602 1.175	1.248 857 1.671
<b>800</b>	600 414 800	812 557 1.088	1.003 688 1.343	1.426 979 1.910
<b>900</b>	675 466 900	914 627 1.224	1.128 774 1.511	1.604 1.101 2.148
<b>1000</b>	750 518 1.000	1.015 697 1.360	1.254 860 1.679	1.783 1.224 2.387
<b>1100</b>	825 570 1.100	1.117 766 1.496	1.379 946 1.847	1.961 1.346 2.626
<b>1200</b>	900 621 1.200	1.218 836 1.632	1.504 1.032 2.015	2.139 1.468 2.864
<b>1400</b>	1.050 725 1.400	1.422 975 1.904	1.755 1.204 2.351	2.496 1.713 3.342
<b>1600</b>	1.200 829 1.600	1.625 1.115 2.176	2.005 1.376 2.686	2.852 1.958 3.819
<b>1800</b>	1.350 932 1.800	1.828 1.254 2.448	2.256 1.548 3.022	3.209 2.203 4.297
<b>2000</b>	1.500 1.036 2.000	2.031 1.393 2.720	2.507 1.720 3.358	3.565 2.447 4.774
<b>2200</b>	1.650 1.139 2.200	2.234 1.533 2.992	2.758 1.892 3.694	3.922 2.692 5.251
<b>2400</b>	1.800 1.243 2.400	2.437 1.672 3.264	3.009 2.064 4.030	4.279 2.937 5.729
<b>2600</b>			3.259 2.236 4.365	
<b>2800</b>			3.510 2.408 4.701	
<b>3000</b>			3.761 2.580 5.037	

700			
11	21	22	33
343 237 457	459 314 615	566 388 758	797 545 1.070
428 296 571	573 393 769	707 485 948	996 681 1.337
514 355 685	688 471 923	849 582 1.138	1.195 817 1.604
599 414 799	803 550 1.077	990 679 1.327	1.394 953 1.872
686 473 914	917 628 1.230	1.132 776 1.517	1.593 1.089 2.139
771 532 1.028	1.032 707 1.384	1.273 872 1.706	1.793 1.226 2.407
857 591 1.142	1.147 786 1.538	1.415 970 1.896	1.991 1.362 2.674
942 650 1.256	1.262 864 1.692	1.556 1.067 2.086	2.190 1.498 2.941
1.028 709 1.370	1.376 943 1.846	1.697 1.163 2.275	2.390 1.634 3.209
1.199 828 1.599	1.605 1.100 2.153	1.980 1.357 2.654	2.788 1.907 3.744
1.370 946 1.827	1.835 1.257 2.461	2.264 1.551 3.034	3.186 2.179 4.278
1.542 1.064 2.056	2.064 1.414 2.768	2.546 1.745 3.413	3.584 2.451 4.813
1.713 1.182 2.284	2.294 1.571 3.076	2.829 1.939 3.792	3.983 2.724 5.348

900			
11	21	22	33
419 289 559	564 390 749	691 477 921	963 676 1.268
523 361 699	704 488 936	864 596 1.152	1.205 845 1.586
628 433 838	845 585 1.123	1.036 715 1.382	1.445 1.014 1.903
733 506 978	986 683 1.310	1.209 834 1.612	1.686 1.183 2.220
838 578 1.118	1.127 781 1.498	1.381 953 1.842	1.927 1.352 2.537
942 650 1.257	1.268 878 1.685	1.555 1.073 2.073	2.168 1.520 2.854
1.047 723 1.397	1.408 976 1.872	1.727 1.192 2.303	2.408 1.689 3.171
1.152 795 1.537	1.549 1.073 2.059	1.900 1.311 2.533	2.649 1.858 3.488
1.257 867 1.676	1.690 1.171 2.246	2.073 1.430 2.764	2.890 2.027 3.805
1.467 1.012 1.956	1.972 1.366 2.621	2.418 1.668 3.224	3.372 2.365 4.439
1.676 1.156 2.235	2.253 1.561 2.995	2.763 1.907 3.685	3.854 2.703 5.074
1.886 1.301 2.515	2.535 1.757 3.370	3.108 2.145 4.145	4.335 3.041 5.708
2.095 1.445 2.794	2.817 1.952 3.744	3.454 2.383 4.606	4.817 3.379 6.342

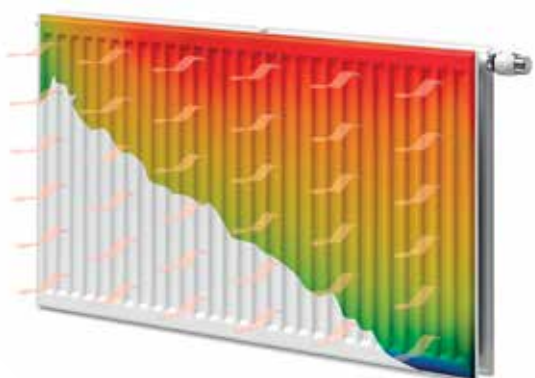
## General information

### HYGIENE ECO GALVA

The ECO radiator and its serial flow technology are perfectly suited to operate in low-temperature heating systems. This technology (water flows first through the front panel) results in higher energy efficiency, maximum radiation, faster heating rate and less waste of energy through the back wall.

In addition, the Hygiene ECO Galva radiator is treated with a protective galvanised coating, so it can be used without any concerns in wet areas.

Product:	low-temperature valve radiator without convection fins with serial flow technology, perfectly suited for low-temperature heating systems, specifically developed for environments where hygiene and safety are all-important and equipped with a protective galvanised coating underneath, both a centre and lateral bottom connection and a preset valve insert, which can be fitted on the left or right side of the radiator
Finishing:	protective galvanised coating without top grille or side panels
Pre-installed:	preset Heimeier 4368 or 4369 valve insert, ECO air vent and blind plugs
Valve insert:	The integrated adjustable valve insert (without thermostatic head) is factory-fit on the right side of the radiator; CEN certified, tested in accordance with EN215 and compatible with thermostatic heads M30 x 1,5 mm. For types 20 and 30 the valve insert can also be fitted on the left side of the radiator. The thermostatic valve insert is factory-set in relation to the size of the radiator. This presetting ensures optimum throughput in the radiator. Factory setting for two-pipe systems, also suitable for one-pipe systems (as long as the valve insert is adjusted to position 8).
Also supplied:	VDI brackets with anti-lift (type Monclac), screws, plugs and installation instructions
Connections:	2 x ¾" male Eurocone centre connection and 2 x ½" female lateral bottom connection
Lugs:	2 pairs of mounting lugs up to 1.600 mm and 3 pairs from 1.800 mm
Packaging:	Every radiator is sturdily packaged in high-quality cardboard and wrapped in plastic. The product description is shown on the label: type – height – length.
Warranty:	10 years, as long as the installation instructions have been followed and Stelrad's warranty conditions have been met.
Paint process:	All radiators are galvanised, degreased, phosphated, cataphoretically primed and powder-coated in Stelrad white 9016 as standard.
Colours:	Stelrad white 9016 + 35 different Stelrad colours and about 200 RAL-colours are possible
Heat cost allocator:	Suitable for heat cost allocators, both electronic and according to the evaporation principle (covered by the norm of EN834 & EN835).
Max. operating pressure:	10 bar (tested to 13 bar)
Max. operating temperature:	110 °C
Conformity:	in accordance with EN442
Types:	10   20   30
Heights:	300   400   500   600   700   900 mm
Lengths:	400 – 3.000 mm
Depths:	47   77   158 mm



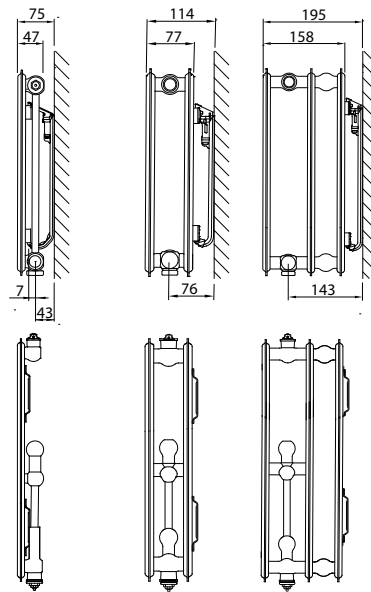


## Type overview

Calculation factor  
per meter  
at 75/65/20°C  
according to EN442

Characteristic equation:

$$\Phi = K_M \times \Delta T^n$$



Height		Type 10	Type 20	Type 30	Height
300	W	338	585	867	300
	kg	6,17	11,57	17,80	
	l	1,89	3,71	5,50	
	m <sup>2</sup>	0,68	1,37	2,04	
	n	1,28	1,27	1,30	
400	W	430	732	1.074	400
	kg	8,22	15,35	23,27	
	l	2,34	4,71	7,07	
	m <sup>2</sup>	0,91	1,83	2,73	
	n	1,29	1,28	1,30	
500	W	521	879	1.275	500
	kg	10,28	19,12	28,73	
	l	2,80	5,70	8,63	
	m <sup>2</sup>	1,14	2,28	3,42	
	n	1,30	1,28	1,30	
600	W	610	1.023	1.470	600
	kg	12,33	22,90	34,20	
	l	3,25	6,70	10,20	
	m <sup>2</sup>	1,37	2,74	4,11	
	n	1,31	1,29	1,31	
700	W	699	1.167	1.659	700
	kg	14,19	26,83	40,10	
	l	3,77	7,57	11,33	
	m <sup>2</sup>	1,60	3,20	4,79	
	n	1,32	1,29	1,31	
900	W	877	1.458	2.034	900
	kg	17,90	34,70	51,90	
	l	4,80	9,30	13,60	
	m <sup>2</sup>	2,06	4,12	6,17	
	n	1,33	1,30	1,32	

W=heat output per meter / kg=weight per meter / l=content per meter / m<sup>2</sup>=surface per meter / n=exponent  
The manufacturer reserves the right to alter any of the specifications shown in this document without prior notice.

## HYGIENE ECO GALVA

Heat outputs in Watt according to EN442



**EN442 (W) 70/50/20°C**

**EN442 (W) 55/45/20°C**

**EN442 (W) 75/65/20°C**

Steirrad BY/PLI 19/01/07/EO13

Height	300		
	10	20	30
<b>400</b>		176	260
		122	179
		234	347
<b>500</b>	127	220	325
	88	153	224
	169	293	434
<b>600</b>	152	264	389
	105	183	268
	203	351	520
<b>700</b>	178	309	454
	123	214	313
	237	410	607
<b>800</b>	203	352	520
	140	245	358
	270	468	694
<b>900</b>	228	396	584
	158	275	402
	304	527	780
<b>1000</b>	254	441	649
	176	306	447
	338	585	867
<b>1100</b>	279	485	714
	193	336	492
	372	644	954
<b>1200</b>	305	529	779
	211	367	536
	406	702	1.040
<b>1400</b>	355	617	909
	246	428	626
	473	819	1.214
<b>1600</b>		705	1.038
		489	715
		936	1.387
<b>1800</b>		793	1.169
		550	805
		1.053	1.561
<b>2000</b>		881	1.298
		611	894
		1.170	1.734
<b>2200</b>		969	1.428
		672	983
		1.287	1.907
<b>2400</b>		1.057	1.558
		734	1.073
		1.404	2.081
<b>2600</b>		1.145	
		795	
		1.521	
<b>2800</b>		1.234	
		856	
		1.638	
<b>3000</b>		1.322	
		917	
		1.755	

400		
10	20	30
	220	322
	153	221
	293	430
161	275	402
111	191	276
215	366	537
193	330	482
133	229	331
258	439	644
226	385	563
155	267	387
301	512	752
258	441	643
178	305	442
344	586	859
290	496	723
200	343	498
387	659	967
322	551	804
222	381	553
430	732	1.074
354	605	884
244	419	608
473	805	1.181
387	660	964
267	457	663
516	878	1.289
451	771	1.125
311	534	774
602	1.025	1.504
516	881	1.285
355	610	884
688	1.171	1.718
580	991	1.446
400	687	995
774	1.318	1.933
644	1.101	1.607
444	763	1.106
860	1.464	2.148
	1.211	1.768
	839	1.216
	1.610	2.363
	1.321	1.929
	915	1.327
	1.757	2.578
	1.431	
	991	
	1.903	
	1.542	
	1.068	
	2.050	
	1.652	
	1.144	
	2.196	

500		
10	20	30
	264	381
	183	262
	352	510
194	331	477
134	229	328
261	440	638
234	396	572
161	274	393
313	527	765
273	462	667
188	319	458
365	615	893
312	528	763
214	365	524
417	703	1.020
351	594	858
241	411	590
469	791	1.148
389	660	953
268	457	655
521	879	1.275
428	726	1.048
294	502	720
573	967	1.403
467	793	1.144
321	548	786
625	1.055	1.530
545	925	1.334
375	639	917
729	1.231	1.785
623	1.056	1.525
428	730	1.048
834	1.406	2.040
701	1.188	1.716
482	822	1.179
938	1.582	2.295
779	1.321	1.906
535	913	1.310
1.042	1.758	2.550
857	1.453	2.097
589	1.005	1.441
1.146	1.934	2.805
934	1.585	2.288
642	1.096	1.572
1.250	2.110	3.060
	1.716	
	1.187	
	2.285	
	1.849	
	1.278	
	2.461	
	1.981	
	1.370	
	2.637	

# HYGIENE ECO GALVA

On the label:  
GALVA ECO T10-30: 0695

Art. 0695 09 20 04

Height	600		
Type	10	20	30
<b>400</b>		307 212 409	439 302 588
<b>500</b>	227 156 305	384 265 512	549 377 735
<b>600</b>	273 187 366	461 318 614	659 452 882
<b>700</b>	318 218 427	537 371 716	769 528 1.029
<b>800</b>	364 249 488	614 424 818	879 603 1.176
<b>900</b>	409 281 549	691 477 921	988 679 1.323
<b>1000</b>	455 312 610	768 530 1.023	1.098 754 1.470
<b>1100</b>	500 343 671	844 583 1.125	1.208 829 1.617
<b>1200</b>	546 374 732	921 636 1.228	1.318 905 1.764
<b>1400</b>	637 436 854	1.074 742 1.432	1.537 1.056 2.058
<b>1600</b>	728 499 976	1.228 848 1.637	1.757 1.206 2.352
<b>1800</b>	819 561 1.098	1.381 954 1.841	1.977 1.357 2.646
<b>2000</b>	910 623 1.220	1.535 1.060 2.046	2.196 1.508 2.940
<b>2200</b>	1.001 686 1.342	1.689 1.166 2.251	2.416 1.659 3.234
<b>2400</b>	1.092 748 1.464	1.842 1.272 2.455	2.636 1.810 3.528
<b>2600</b>		1.996 1.378 2.660	
<b>2800</b>		2.149 1.484 2.864	
<b>3000</b>		2.303 1.590 3.069	

700		
10	20	30
	350 241 467	496 340 664
261 178 350	438 302 584	620 425 830
312 214 419	525 362 700	743 510 995
364 249 489	612 422 817	867 595 1.161
416 285 559	700 482 934	991 680 1.327
469 321 629	787 542 1.050	1.115 765 1.493
521 356 699	874 603 1.167	1.238 850 1.659
573 392 769	962 663 1.284	1.362 935 1.825
625 428 839	1.049 723 1.400	1.486 1.020 1.991
729 499 979	1.224 844 1.634	1.734 1.190 2.323
833 570 1.118	1.399 964 1.867	1.981 1.359 2.654
937 641 1.258	1.574 1.085 2.101	2.229 1.529 2.986
1.041 712 1.398	1.749 1.206 2.334	2.477 1.699 3.318

900		
10	20	30
	436 299 583	607 415 814
325 222 439	545 374 729	758 519 1.017
391 267 526	654 449 875	909 623 1.220
456 311 614	763 524 1.021	1.061 727 1.424
522 356 702	872 599 1.166	1.213 830 1.627
586 400 789	981 674 1.312	1.365 935 1.831
652 444 877	1.090 749 1.458	1.516 1.038 2.034
717 489 965	1.199 824 1.604	1.667 1.142 2.237
782 533 1.052	1.308 899 1.750	1.820 1.246 2.441
913 622 1.228	1.526 1.048 2.041	2.123 1.454 2.848
1.043 711 1.403	1.744 1.198 2.333	2.426 1.661 3.254
1.173 800 1.579	1.961 1.348 2.624	2.729 1.868 3.661
1.303 889 1.754	2.180 1.497 2.916	3.032 2.076 4.068

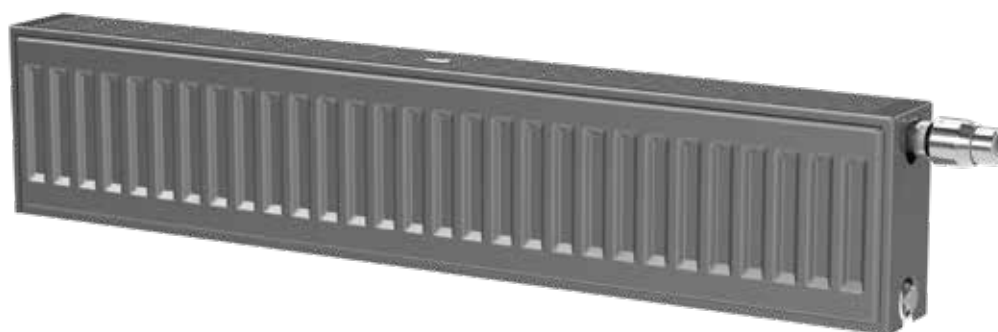
## General information

### NOVELLO PLINTH

The Novello Plinth offers the perfect solution for spaces with large window sections from floor to ceiling, like shop windows, verandas and winter gardens. Its subtle construction means this radiator perfectly matches any interior. The cold air close to a window is heated to provide warmth.

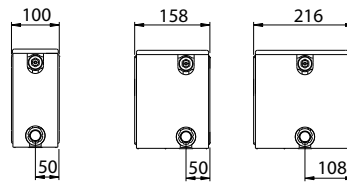
The Novello Plinth can be connected either as a valve or compact radiator.

Product:	fully encased valve radiator with a height of 200 mm
Finishing:	upper grille and side panels
Pre-installed:	adjustable Heimeier valve type insert 4368
Valve insert:	The integrated adjustable valve insert (without thermostatic head) is factory-fit on the right side of the radiator; CEN certified, tested in accordance with EN215 and compatible with thermostatic heads M30 x 1,5 mm.
Also supplied:	air vent and blind plugs
Connections:	6 x ½" female connection (2 x ½" lateral bottom connection included)
Lugs:	no lugs
Packaging:	Every radiator is sturdily packaged in high-quality cardboard and wrapped in plastic. The radiator's characteristics are shown on the label: type – height – length.
Warranty:	10 years, as long as the installation instructions have been followed and Stelrad's warranty conditions have been met.
Paint process:	All radiators are degreased, phosphated, primed and powder-coated in Stelrad white 9016 as standard.
Colours:	Stelrad white 9016 + 35 different Stelrad colours and about 200 RAL-colours are possible
Heat cost allocator:	Suitable for heat cost allocators, both electronic and according to the evaporation principle (covered by the norm of EN834 & EN835).
Max. operating pressure:	10 bar (tested to 13 bar)
Max. operating temperature:	110 °C
Conformity:	in accordance with EN442
Types:	22   33   44
Height:	200 mm
Lengths:	1.000 – 2.600 mm
Depths:	100   158   216 mm



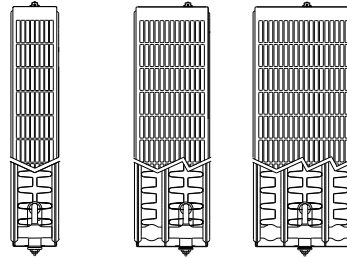
## Type overview

Calculation factor  
per meter  
at 75/65/20°C  
according to EN442



Characteristic equation:

$$\Phi = K_M \times \Delta T^n$$



Height		Type 22	Type 33	Type 44	Centre distance
200	W	651	933	1.212	150
	kg	9,67	15,40	20,80	
	l	2,83	4,20	5,60	
	m <sup>2</sup>	2,05	3,08	4,10	
	n	1,30	1,29	1,30	

W=heat output per meter / kg=weight per meter / l=content per meter / m<sup>2</sup>=surface per meter / n=exponent  
The manufacturer reserves the right to alter any of the specifications shown in this document without prior notice.

Heat outputs in Watt  
according to EN442

On the label: Art. 0168 02 22 10  
H200 T22-44: 0168 — H200 — T22 — L1000 —

EN442 (W)	70/50/20°C
EN442 (W)	55/45/20°C
EN442 (W)	75/65/20°C

Stelrad BV/PLU19/0107/E013

Height	200			Height
Type	22	33	44	Type
<b>1000</b>	487	699	906	<b>1000</b>
	335	482	623	
	651	933	1.212	
<b>1200</b>	584	840	1.087	<b>1200</b>
	402	579	748	
	781	1.120	1.454	
<b>1400</b>	681	979	1.269	<b>1400</b>
	468	675	873	
	911	1.306	1.697	
<b>1600</b>	779	1.119	1.450	<b>1600</b>
	536	772	997	
	1.042	1.493	1.939	
<b>1800</b>	877	1.259	1.632	<b>1800</b>
	603	868	1.122	
	1.172	1.679	2.182	
<b>2000</b>	974	1.399	1.813	<b>2000</b>
	670	965	1.246	
	1.302	1.866	2.424	
<b>2200</b>	1.071	1.539	1.994	<b>2200</b>
	736	1.061	1.371	
	1.432	2.053	2.666	
<b>2400</b>	1.168	1.678	2.175	<b>2400</b>
	803	1.157	1.496	
	1.562	2.239	2.909	
<b>2600</b>	1.266	1.818	2.356	<b>2600</b>
	871	1.254	1.620	
	1.693	2.426	3.151	

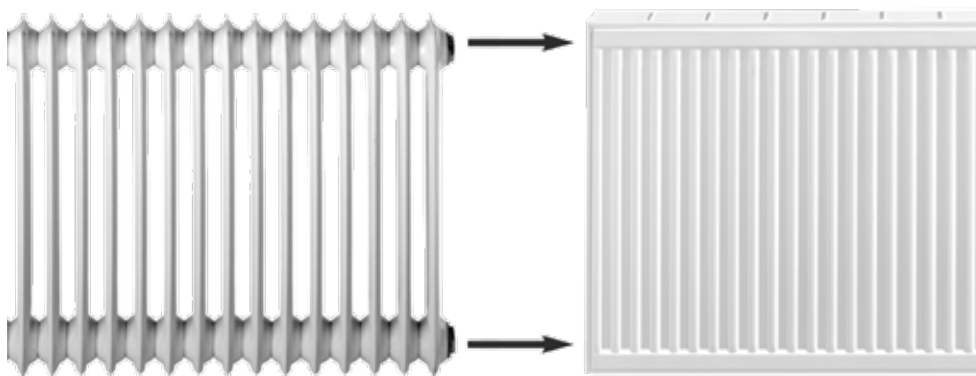


## General information

### RENO

A compact radiator with a very specific centre distance to replace old cast-iron and ribbed radiators while using the existing piping system.

Product:	the fully encased compact radiator specifically developed for the renovation market
Finishing:	upper grille and side panels
Also supplied:	installation instructions
Connections:	4 x ½" female connection
Lugs:	2 pairs of mounting lugs up to 1.600 mm and 3 pairs from 1.800 mm
Packaging:	Every radiator is sturdily packaged in high-quality cardboard and wrapped in plastic. The radiator's characteristics are shown on the label: type – height – length.
Warranty:	10 years, as long as the installation instructions have been followed and Stelrad's warranty conditions have been met.
Paint process:	All radiators are degreased, phosphated, cataphoretically primed and powder-coated in Stelrad white 9016 as standard.
Colours:	Stelrad white 9016 + 35 different Stelrad colours and about 200 RAL-colours are possible
Heat cost allocator:	Suitable for heat cost allocators, both electronic and according to the evaporation principle (covered by the norm of EN834 & EN835).
Max. operating pressure:	10 bar (tested to 13 bar)
Max. operating temperature:	110 °C
Conformity:	in accordance with EN442
Types:	21   22   33
Heights:	550   950 mm
Lengths:	400 – 3.000 mm
Depths:	77   100   158 mm

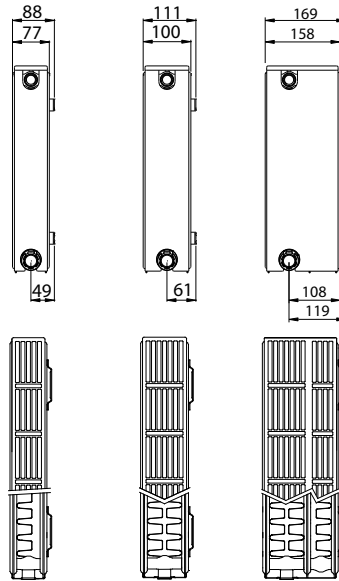


## Type overview

Calculation factor  
per meter  
at 75/65/20°C  
according to EN442

Characteristic equation:

$$\Phi = K_M \times \Delta T^n$$



Height		Type 21	Type 22	Type 33	Centre distance
550	W	1.250	1.614	2.224	500
	kg	27,21	31,97	47,95	
	l	5,94	6,12	9,07	
	m <sup>2</sup>	4,78	7,04	10,55	
	n	1,34	1,33	1,32	
950	W	1.906	2.406	3.427	900
	kg	45,00	53,50	78,00	
	l	10,10	10,05	15,30	
	m <sup>2</sup>	8,52	12,68	19,02	
	n	1,33	1,34	1,34	

W=heat output per meter / kg=weight per meter / l=content per meter / m<sup>2</sup>=surface per meter / n=exponent  
The manufacturer reserves the right to alter any of the specifications shown in this document without prior notice.

## RENO

Heat outputs in Watt according to EN442



On the label: Art. 0219 0950 22 1000  
 RENO T21-33: 0219 H950 T22 L1000

**EN442 (W) 70/50/20°C**

**EN442 (W) 55/45/20°C**

**EN442 (W) 75/65/20°C**

Height	550		
	21	22	33
400	371	480	663
	253	327	453
	500	646	890
500	464	599	828
	316	408	566
	625	807	1.112
600	557	719	993
	379	490	679
	750	968	1.334
700	649	839	1.159
	442	572	793
	875	1.130	1.557
800	742	959	1.325
	505	653	906
	1.000	1.291	1.779
900	835	1.079	1.491
	568	735	1.019
	1.125	1.453	2.002
1000	928	1.199	1.656
	631	817	1.132
	1.250	1.614	2.224
1100	1.020	1.318	1.821
	695	898	1.245
	1.375	1.775	2.446
1200	1.113	1.439	1.987
	758	980	1.359
	1.500	1.937	2.669
1400	1.299	1.678	2.319
	884	1.144	1.585
	1.750	2.260	3.114
1600	1.484	1.918	2.649
	1.010	1.307	1.811
	2.000	2.582	3.558
1800	1.670	2.157	2.981
	1.137	1.470	2.038
	2.250	2.905	4.003
2000	1.855	2.397	3.312
	1.263	1.634	2.264
	2.500	3.228	4.448
2200	2.041	2.637	3.643
	1.389	1.797	2.491
	2.750	3.551	4.893
2400	2.226	2.877	3.975
	1.516	1.961	2.717
	3.000	3.874	5.338
2600		3.116	
		2.124	
		4.196	
2800		3.356	
		2.287	
		4.519	
3000		3.596	
		2.451	
		4.842	

950			Height	
21	22	33		
400	567	714	1.016	400
	387	486	691	
	762	962	1.371	
500	709	893	1.270	500
	484	608	863	
	953	1.203	1.714	
600	851	1.072	1.524	600
	581	730	1.036	
	1.144	1.444	2.056	
700	992	1.250	1.778	700
	677	851	1.208	
	1.334	1.684	2.399	
800	1.134	1.429	2.032	800
	774	973	1.381	
	1.525	1.925	2.742	
900	1.275	1.607	2.286	900
	870	1.094	1.554	
	1.715	2.165	3.084	
1000	1.417	1.786	2.540	1000
	967	1.216	1.726	
	1.906	2.406	3.427	
1100	1.559	1.965	2.794	1100
	1.064	1.338	1.899	
	2.097	2.647	3.770	
1200	1.701	2.143	3.048	1200
	1.161	1.459	2.071	
	2.287	2.887	4.112	
1400	1.984	2.500	3.556	1400
	1.354	1.702	2.417	
	2.668	3.368	4.798	
1600	2.268	2.858	4.064	1600
	1.548	1.946	2.762	
	3.050	3.850	5.483	
1800	2.551	3.215	4.572	1800
	1.741	2.189	3.108	
	3.431	4.331	6.169	
2000	2.835	3.572	5.080	2000
	1.935	2.432	3.453	
	3.812	4.812	6.854	
			2200	
			2400	
			2600	
			2800	
			3000	

Stelrad BV/PLI 9/0/07E013

Core assortment (Stelrad white 9016) available ex factory within 10 days.  
 Core assortment is subject to change, please refer to [www.stelrad.eu](http://www.stelrad.eu) for the latest information.  
 Delivery time depends on the model, please refer to your distributor:



In W/m, estimated calculation

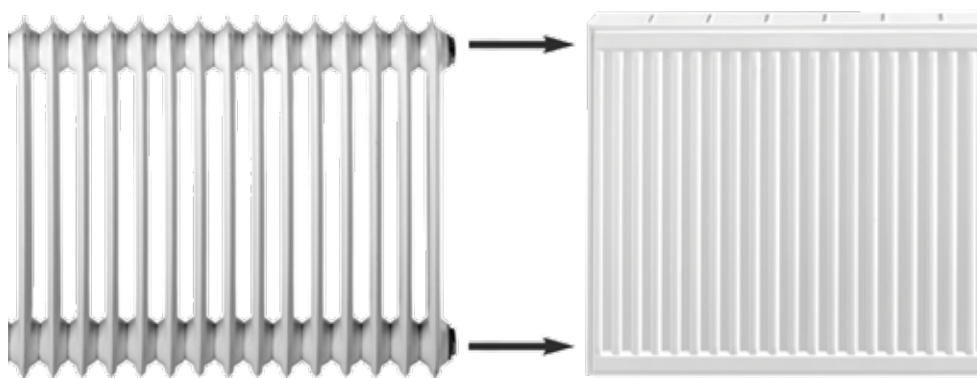
DIN 4720 cast iron radiators					Renovation radiator		Reno		Reno Planar		
BH Height	NA Centre distance	BT Depth	Heat output according to DIN4703			BH Height	NA Centre distance	Heat output according to W/m EN442			
			Element BL 60 mm watt per element		DIN cast iron 17 elements (L = 1020 mm) 70/55/20° C			70/55/20° C		70/55/20° C	
			90/70/20° C	70/55/20° C				Type	W/m	Type	W/m
580	500	70	68 W	43 W	731 W	550	500	21	996 W	21	916 W
		110	92 W	58 W	986 W			21	996 W	22	1.219 W
		160	126 W	81 W	1.377 W			22	1.287 W	33	1.734 W
980	900	220	162 W	104 W	1.768 W	950	900	33	1.777 W	33	1.734 W
		70	111 W	71 W	1.207 W			21	1.522 W	21	1.453 W
		160	204 W	131 W	2.227 W			33	2.729 W	33	2.612 W
		220	260 W	166 W	2.822 W			33	2.729 W	33	2.612 W

DIN 4722 steel radiators					Renovation radiator		Reno		Reno Planar		
BH Height	NA Centre distance	BT Depth	Heat output according to DIN4703			BH Height	NA Centre distance	Heat output according to W/m EN442			
			Element BL 50 mm watt per element		DIN steel 20 elements 70/55/20° C			70/55/20° C		70/55/20° C	
			90/70/20° C	70/55/20° C				Type	W/m	Type	W/m
600	500	110	73 W	47 W	940 W	550	500	21	996 W	22	1.219 W
		160	99 W	63 W	1.260 W			22	1.287 W	22	1.219 W
		220	128 W	82 W	1.640 W			33	1.777 W	33	1.734 W
1000	900	110	122 W	78 W	1.560 W	950	900	21	1.522 W	21	1.453 W
		160	157 W	100 W	2.000 W			22	1.918 W	33	2.612 W
		220	204 W	130 W	2.600 W			33	2.729 W	33	2.612 W

**Example:** Replacement of a DIN Steel radiator 20/500/160. System temperature 70/55° C,  
Total heat output for 20 elements x 63 W = 1.260 W.

**Selected:** Renovation radiator Reno 22/550/1000 = 1.287 W



## General information

### **GALVA**

With an Accord All In radiator as a base and an extra protective galvanised coating for humid spaces underneath, the Galva radiator is the ideal panel radiator for your bathroom.

Product:	naked panel radiator with a protective galvanised coating
Finishing:	protective galvanised coating and without upper grille and side panels
Also supplied:	L-brackets, screws, plugs, blind plug, air vent and installation instructions
Connections:	4 x ½" female connection
Lugs:	2 pairs of mounting lugs up to 1.600 mm and 3 pairs from 1.800 mm
Packaging:	Every radiator is sturdily packaged in high-quality cardboard and wrapped in plastic. The radiator's characteristics are shown on the label: type – height – length.
Warranty:	10 years, as long as the installation instructions have been followed and Stelrad's warranty conditions have been met.
Paint process:	All radiators are galvanised, degreased, phosphated, cataphoretically primed and powder-coated in Stelrad white 9016 as standard.
Colours:	Stelrad white 9016 + 35 different Stelrad colours and about 200 RAL-colours are possible
Heat cost allocator:	Suitable for heat cost allocators, both electronic and according to the evaporation principle (covered by the norm of EN834 & EN835).
Max. operating pressure:	10 bar (tested to 13 bar)
Max. operating temperature:	110 °C
Conformity:	in accordance with EN442
Types:	11   21   22   33
Heights:	300   400   500   600   700   900 mm
Lengths:	400 – 3.000 mm
Depths:	60   77   100   158 mm

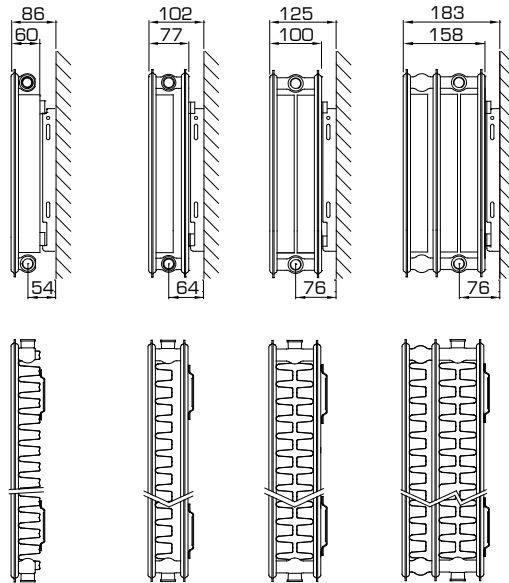


## Type overview

Calculation factor  
per meter  
at 75/65/20°C  
according to EN442

Characteristic equation:

$$\Phi = K_M \times \Delta T^n$$



Height		Type 11	Type 21	Type 22	Type 33	Centre distance
300	W	517	776	1.012	1.418	250
	kg	8,38	13,71	15,90	23,80	
	l	1,89	3,70	3,70	5,40	
	m <sup>2</sup>	2,09	2,44	3,51	5,26	
	n	1,31	1,33	1,33	1,32	
400	W	687	1.000	1.281	1.805	350
	kg	11,68	18,78	21,83	32,67	
	l	2,34	4,67	4,67	6,87	
	m <sup>2</sup>	2,95	3,37	4,92	7,38	
	n	1,31	1,33	1,33	1,33	
500	W	848	1.210	1.535	2.169	450
	kg	14,99	23,84	27,77	41,53	
	l	2,80	5,63	5,63	8,33	
	m <sup>2</sup>	3,80	4,31	6,33	9,49	
	n	1,30	1,33	1,33	1,34	
600	W	1.000	1.409	1.778	2.514	550
	kg	18,30	28,90	33,70	50,40	
	l	3,25	6,60	6,60	9,80	
	m <sup>2</sup>	4,66	5,24	7,74	11,61	
	n	1,29	1,33	1,33	1,35	
700	W	1.142	1.597	2.011	2.841	650
	kg	21,33	33,50	39,13	58,47	
	l	3,77	7,63	7,63	11,37	
	m <sup>2</sup>	5,51	6,18	9,15	13,72	
	n	1,29	1,34	1,34	1,35	
900	W	1.397	1.941	2.453	3.448	850
	kg	27,40	42,70	50,00	74,60	
	l	4,80	9,70	9,70	14,50	
	m <sup>2</sup>	7,22	8,05	11,97	17,96	
	n	1,29	1,36	1,35	1,37	

W=heat output per meter / kg=weight per meter / l=content per meter / m<sup>2</sup>=surface per meter / n=exponent  
The manufacturer reserves the right to alter any of the specifications shown in this document without prior notice.

## GALVA

Heat outputs in Watt according to EN442



**EN442 (W) 70/50/20°C**

**EN442 (W) 55/45/20°C**

**EN442 (W) 75/65/20°C**

Stelrad BV/PL 19/01/07/E013

Height	300				
	Type	11	21	22	33
<b>400</b>		154	230	301	423
		106	157	205	290
		207	310	405	567
<b>500</b>		192	288	376	529
		132	197	256	362
		259	388	506	709
<b>600</b>		231	346	451	635
		158	236	307	435
		310	466	607	851
<b>700</b>		270	404	526	740
		185	275	358	507
		362	543	708	993
<b>800</b>		309	462	602	846
		212	315	410	579
		414	621	810	1.134
<b>900</b>		347	519	677	951
		238	354	461	652
		465	698	911	1.276
<b>1000</b>		386	577	752	1.057
		264	394	512	724
		517	776	1.012	1.418
<b>1100</b>		424	635	827	1.163
		291	433	563	797
		569	854	1.113	1.560
<b>1200</b>		462	692	902	1.269
		317	472	614	869
		620	931	1.214	1.702
<b>1400</b>		540	807	1.052	1.480
		370	551	717	1.014
		724	1.086	1.417	1.985
<b>1600</b>			923	1.202	1.692
			630	819	1.159
			1.242	1.619	2.269
<b>1800</b>			1.038	1.353	1.903
			709	922	1.303
			1.397	1.822	2.552
<b>2000</b>			1.154	1.503	2.115
			787	1.024	1.448
			1.552	2.024	2.836
<b>2200</b>			1.269	1.653	2.326
			866	1.127	1.593
			1.707	2.226	3.120
<b>2400</b>			1.384	1.804	2.537
			944	1.229	1.738
			1.862	2.429	3.403
<b>2600</b>				1.954	
				1.332	
				2.631	
<b>2800</b>				2.105	
				1.434	
				2.834	
<b>3000</b>				2.255	
				1.537	
				3.036	

400				
Type	11	21	22	33
	205	297	380	537
	141	203	259	367
	275	400	512	722
	257	372	475	671
	177	254	324	458
	344	500	641	903
	308	446	571	806
	211	304	389	550
	412	600	769	1.083
	359	520	666	940
	247	355	454	642
	481	700	897	1.264
	411	595	761	1.074
	282	406	519	733
	550	800	1.025	1.444
	462	669	857	1.208
	317	457	584	825
	618	900	1.153	1.625
	513	743	952	1.343
	353	507	649	917
	687	1.000	1.281	1.805
	565	818	1.047	1.477
	388	558	713	1.009
	756	1.100	1.409	1.986
	616	892	1.142	1.611
	423	609	778	1.100
	824	1.200	1.537	2.166
	719	1.041	1.332	1.880
	494	710	908	1.284
	962	1.400	1.793	2.527
	821	1.190	1.523	2.148
	564	812	1.038	1.467
	1.099	1.600	2.050	2.888
	924	1.338	1.713	2.417
	635	913	1.168	1.650
	1.237	1.800	2.306	3.249
	1.027	1.487	1.903	2.685
	705	1.015	1.297	1.834
	1.374	2.000	2.562	3.610
		1.636	2.093	2.954
		1.116	1.427	2.017
		2.200	2.818	3.971
		1.784	2.284	3.222
		1.218	1.557	2.200
		2.400	3.074	4.332
			2.474	
			1.687	
			3.331	
			2.665	
			1.816	
			3.587	
			2.855	
			1.946	
			3.843	

500				
Type	11	21	22	33
	254	360	456	644
	175	246	311	439
	339	484	614	868
	317	450	571	804
	219	307	389	548
	424	605	768	1.085
	381	540	684	965
	262	368	467	657
	509	726	921	1.301
	445	630	798	1.127
	306	430	544	767
	594	847	1.075	1.518
	508	720	912	1.288
	350	491	622	877
	678	968	1.228	1.735
	571	810	1.027	1.449
	393	553	700	986
	763	1.089	1.382	1.952
	635	900	1.140	1.610
	437	614	778	1.096
	848	1.210	1.535	2.169
	699	990	1.254	1.771
	481	675	855	1.205
	933	1.331	1.689	2.386
	762	1.080	1.369	1.932
	525	737	933	1.315
	1.018	1.452	1.842	2.603
	889	1.260	1.597	2.254
	612	860	1.089	1.534
	1.187	1.694	2.149	3.037
	1.016	1.440	1.825	2.575
	700	983	1.244	1.753
	1.357	1.936	2.456	3.470
	1.143	1.619	2.053	2.897
	787	1.105	1.400	1.972
	1.526	2.178	2.763	3.904
	1.270	1.799	2.281	3.219
	874	1.228	1.555	2.192
	1.696	2.420	3.070	4.338
	1.397	1.979	2.509	3.541
	962	1.351	1.711	2.411
	1.866	2.662	3.377	4.772
	1.524	2.159	2.737	3.863
	1.049	1.474	1.866	2.630
	2.035	2.904	3.684	5.206
			2.965	
			2.022	
			3.991	
			3.193	
			2.177	
			4.298	
			3.421	
			2.333	
			4.605	

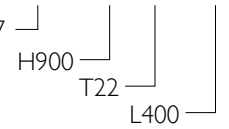
Core assortment (Stelrad white 9016) available ex factory within 10 days.

Core assortment is subject to change, please refer to [www.stelrad.eu](http://www.stelrad.eu) for the latest information.

Delivery time depends on the model, please refer to your distributor.

## GALVA

On the label: Art. 0107 09 22 04  
 4-CONNECTIONS NAKED GALVA T11-33: 0107



Height	600			
	11	21	22	33
<b>400</b>	300 207 400	419 286 564	528 360 711	745 505 1.006
<b>500</b>	375 259 500	524 357 705	661 451 889	931 632 1.257
<b>600</b>	450 311 600	628 429 845	793 541 1.067	1.116 758 1.508
<b>700</b>	525 363 700	733 501 986	925 631 1.245	1.303 884 1.760
<b>800</b>	600 414 800	838 572 1.127	1.057 721 1.422	1.489 1.010 2.011
<b>900</b>	675 466 900	943 644 1.268	1.189 811 1.600	1.675 1.137 2.263
<b>1000</b>	750 518 1.000	1.048 715 1.409	1.321 901 1.778	1.861 1.263 2.514
<b>1100</b>	825 570 1.100	1.153 787 1.550	1.454 991 1.956	2.047 1.389 2.765
<b>1200</b>	900 621 1.200	1.258 858 1.691	1.586 1.081 2.134	2.234 1.516 3.017
<b>1400</b>	1.050 725 1.400	1.467 1.002 1.973	1.850 1.261 2.489	2.606 1.769 3.520
<b>1600</b>	1.200 829 1.600	1.676 1.144 2.254	2.114 1.442 2.845	2.978 2.021 4.022
<b>1800</b>	1.350 932 1.800	1.886 1.287 2.536	2.378 1.622 3.200	3.350 2.274 4.525
<b>2000</b>	1.500 1.036 2.000	2.096 1.431 2.818	2.642 1.802 3.556	3.722 2.526 5.028
<b>2200</b>	1.650 1.139 2.200	2.305 1.574 3.100	2.907 1.982 3.912	4.095 2.779 5.531
<b>2400</b>	1.800 1.243 2.400	2.515 1.717 3.382	3.171 2.162 4.267	4.467 3.032 6.034
<b>2600</b>			3.435 2.343 4.623	
<b>2800</b>			3.699 2.523 4.978	
<b>3000</b>			3.964 2.703 5.334	

700			
11	21	22	33
343 237 457	474 323 639	597 406 804	840 569 1.136
428 296 571	592 403 799	747 508 1.006	1.050 711 1.421
514 355 685	711 484 958	896 610 1.207	1.260 854 1.705
599 414 799	830 565 1.118	1.045 711 1.408	1.470 996 1.989
686 473 914	948 646 1.278	1.194 813 1.609	1.680 1.138 2.273
771 532 1.028	1.066 726 1.437	1.343 914 1.810	1.890 1.280 2.557
857 591 1.142	1.185 807 1.597	1.492 1.016 2.011	2.100 1.422 2.841
942 650 1.256	1.304 888 1.757	1.641 1.117 2.212	2.310 1.564 3.125
1.028 709 1.370	1.422 968 1.916	1.791 1.219 2.413	2.520 1.707 3.409
1.199 828 1.599	1.659 1.130 2.236	2.089 1.422 2.815	2.940 1.991 3.977
1.370 946 1.827	1.896 1.291 2.555	2.388 1.626 3.218	3.360 2.276 4.546
1.542 1.064 2.056	2.134 1.452 2.875	2.686 1.829 3.620	3.780 2.560 5.114
1.713 1.182 2.284	2.370 1.614 3.194	2.985 2.032 4.022	4.200 2.845 5.682

900			
11	21	22	33
419 289 559	573 388 776	726 492 981	1.016 685 1.379
523 361 699	717 485 971	907 615 1.227	1.270 857 1.724
628 433 838	861 583 1.165	1.089 739 1.472	1.524 1.028 2.069
733 506 978	1.004 680 1.359	1.271 862 1.717	1.779 1.200 2.414
838 578 1.118	1.148 777 1.553	1.452 985 1.962	2.032 1.371 2.758
942 650 1.257	1.291 874 1.747	1.634 1.108 2.208	2.286 1.542 3.103
1.047 723 1.397	1.434 971 1.941	1.815 1.231 2.453	2.540 1.713 3.448
1.152 795 1.537	1.578 1.068 2.135	1.997 1.354 2.698	2.795 1.885 3.793
1.257 867 1.676	1.721 1.165 2.329	2.179 1.478 2.944	3.049 2.056 4.138
1.467 1.012 1.956	2.008 1.359 2.717	2.541 1.724 3.434	3.556 2.399 4.827
1.676 1.156 2.235	2.295 1.554 3.106	2.904 1.970 3.925	4.065 2.742 5.517
1.886 1.301 2.515	2.582 1.748 3.494	3.267 2.216 4.415	4.572 3.084 6.206
2.095 1.445 2.794	2.869 1.942 3.882	3.630 2.462 4.906	5.081 3.427 6.896

## General information

### HYGIENE GALVA

With a Hygiene radiator as a base and an extra protective galvanised coating for humid spaces underneath, the Hygiene Galva radiator is the ideal panel radiator for your bathroom.

Product:	naked panel radiator without convection fins and with a protective galvanised coating
Finishing:	protective galvanised coating and without upper grille and side panels
Also supplied:	VDI brackets with anti-lift (type Monclac), screws, plugs, blind plug, air vent and installation instructions
Connections:	4 x ½" female connection
Lugs:	2 pairs of mounting lugs up to 1.600 mm and 3 pairs from 1.800 mm
Packaging:	Every radiator is sturdily packaged in high-quality cardboard and wrapped in plastic. The radiator's characteristics are shown on the label: type – height – length.
Warranty:	10 years, as long as the installation instructions have been followed and Stelrad's warranty conditions have been met.
Paint process:	All radiators are galvanised, degreased, phosphated, cataphoretically primed and powder-coated in Stelrad white 9016 as standard.
Colours:	Stelrad white 9016 + 35 different Stelrad colours and about 200 RAL-colours are possible
Heat cost allocator:	Suitable for heat cost allocators, both electronic and according to the evaporation principle (covered by the norm of EN834 & EN835).
Max. operating pressure:	10 bar (tested to 13 bar)
Max. operating temperature:	110 °C
Conformity:	in accordance with EN442
Types:	10   20   30
Heights:	300   400   500   600   700   900 mm
Lengths:	400 – 3.000 mm
Depths:	47   77   158 mm

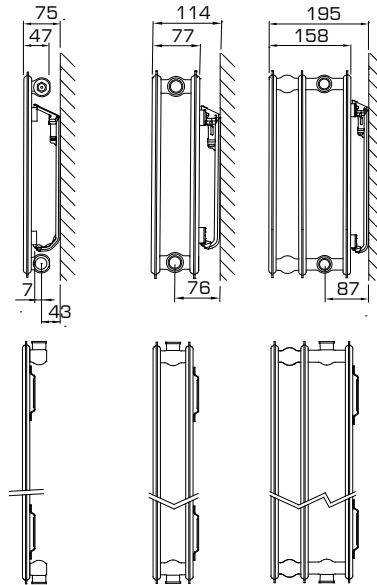


## Type overview

Calculation factor  
per meter  
at 75/65/20°C  
according to EN442

Characteristic equation:

$$\Phi = K_M \times \Delta T^n$$



Height		Type 10	Type 20	Type 30	Centre distance
300	W	338	571	859	250
	kg	6,17	11,64	17,90	
	l	1,89	3,70	5,20	
	m <sup>2</sup>	0,68	1,37	2,04	
	n	1,28	1,34	1,30	
400	W	430	730	1.073	350
	kg	8,22	15,86	23,37	
	l	2,34	4,67	6,57	
	m <sup>2</sup>	0,91	1,83	2,73	
	n	1,29	1,33	1,30	
500	W	521	883	1.277	450
	kg	10,28	20,08	28,83	
	l	2,80	5,63	7,93	
	m <sup>2</sup>	1,14	2,28	3,42	
	n	1,30	1,32	1,31	
600	W	610	1.031	1.474	550
	kg	12,33	24,30	34,30	
	l	3,25	6,60	9,30	
	m <sup>2</sup>	1,37	2,74	4,11	
	n	1,31	1,32	1,31	
700	W	699	1.174	1.666	650
	kg	14,19	28,00	40,07	
	l	3,77	7,63	10,67	
	m <sup>2</sup>	1,60	3,20	4,79	
	n	1,32	1,32	1,32	
900	W	877	1.449	2.039	850
	kg	17,90	35,40	51,60	
	l	4,80	9,70	13,40	
	m <sup>2</sup>	2,06	4,12	6,17	
	n	1,33	1,33	1,33	

W=heat output per meter / kg=weight per meter / l=content per meter / m<sup>2</sup>=surface per meter / n=exponent  
The manufacturer reserves the right to alter any of the specifications shown in this document without prior notice.

## HYGIENE GALVA

Heat outputs in Watt according to EN442



**EN442 (W) 70/50/20°C**

**EN442 (W) 55/45/20°C**

**EN442 (W) 75/65/20°C**

Stelrad\_BV/PL 19/01/07/E013

Height	300		
	10	20	30
<b>400</b>	101	169	257
	70	115	177
	135	228	344
<b>500</b>	127	212	322
	88	145	221
	169	286	430
<b>600</b>	152	255	385
	105	173	265
	203	343	515
<b>700</b>	178	297	450
	123	202	309
	237	400	601
<b>800</b>	203	339	514
	140	231	354
	270	457	687
<b>900</b>	228	382	578
	158	260	398
	304	514	773
<b>1000</b>	254	424	643
	176	289	442
	338	571	859
<b>1100</b>	279	466	707
	193	318	487
	372	628	945
<b>1200</b>	305	509	771
	211	346	531
	406	685	1.031
<b>1400</b>	355	593	900
	246	404	619
	473	799	1.203
<b>1600</b>		679	1.028
		462	707
		914	1.374
<b>1800</b>		763	1.157
		520	796
		1.028	1.546
<b>2000</b>		848	1.286
		577	885
		1.142	1.718
<b>2200</b>		932	1.414
		635	973
		1.256	1.890
<b>2400</b>		1.017	1.543
		693	1.062
		1.370	2.062
<b>2600</b>		1.102	
		751	
		1.485	
<b>2800</b>		1.187	
		808	
		1.599	
<b>3000</b>		1.272	
		866	
		1.713	

400		
10	20	30
129	217	321
89	148	221
172	292	429
161	271	401
111	185	276
215	365	537
193	326	482
133	222	331
258	438	644
226	380	562
155	259	386
301	511	751
258	434	642
178	296	441
344	584	858
290	488	722
200	333	497
387	657	966
322	543	802
222	370	552
430	730	1.073
354	597	882
244	407	607
473	803	1.180
387	651	963
267	444	662
516	876	1.288
451	760	1.123
311	518	772
602	1.022	1.502
516	868	1.284
355	592	883
688	1.168	1.717
580	977	1.444
400	666	993
774	1.314	1.931
644	1.085	1.605
444	740	1.103
860	1.460	2.146
	1.194	1.765
	815	1.214
	1.606	2.361
	1.302	1.925
	889	1.324
	1.752	2.575
	1.411	
	963	
	1.898	
	1.519	
	1.037	
	2.044	
	1.628	
	1.111	
	2.190	

500		
10	20	30
155	263	382
107	180	262
208	353	511
194	329	477
134	225	327
261	442	639
234	395	572
161	270	393
313	530	766
273	460	668
188	314	459
365	618	894
312	526	764
214	359	524
417	706	1.022
351	592	859
241	404	590
469	795	1.149
389	657	954
268	449	655
521	883	1.277
428	723	1.050
294	494	721
573	971	1.405
467	789	1.145
321	539	786
625	1.060	1.532
545	920	1.336
375	629	918
729	1.236	1.788
623	1.052	1.527
428	719	1.048
834	1.413	2.043
701	1.183	1.718
482	808	1.180
938	1.589	2.299
779	1.315	1.908
535	899	1.311
1.042	1.766	2.554
857	1.446	2.099
589	989	1.442
1.146	1.943	2.809
934	1.577	2.290
642	1.078	1.573
1.250	2.119	3.065
	1.709	
	1.168	
	2.296	
	1.840	
	1.258	
	2.472	
	1.972	
	1.348	
	2.649	

Core assortment (Stelrad white 9016) available ex factory within 10 days.  
 Core assortment is subject to change, please refer to [www.stelrad.eu](http://www.stelrad.eu) for the latest information.  
 Delivery time depends on the model, please refer to your distributor.



## HYGIENE GALVA

On the label:  
4-CONNECTIONS NAKED HYGIENE GALVAArt. 0108 09 20 04  
T10-30: 0108  
H900  
T20  
L400

Height	600		
Type	10	20	30
<b>400</b>	182	307	441
	125	210	302
	244	412	590
<b>500</b>	227	385	550
	156	263	378
	305	516	737
<b>600</b>	273	461	660
	187	316	453
	366	619	884
<b>700</b>	318	538	771
	218	369	529
	427	722	1.032
<b>800</b>	364	615	880
	249	421	604
	488	825	1.179
<b>900</b>	409	692	991
	281	474	680
	549	928	1.327
<b>1000</b>	455	769	1.101
	312	526	755
	610	1.031	1.474
<b>1100</b>	500	845	1.210
	343	579	830
	671	1.134	1.621
<b>1200</b>	546	922	1.321
	374	631	906
	732	1.237	1.769
<b>1400</b>	637	1.076	1.541
	436	737	1.057
	854	1.443	2.064
<b>1600</b>	728	1.230	1.761
	499	842	1.208
	976	1.650	2.358
<b>1800</b>	819	1.384	1.981
	561	947	1.359
	1.098	1.856	2.653
<b>2000</b>	910	1.537	2.201
	623	1.052	1.510
	1.220	2.062	2.948
<b>2200</b>	1.001	1.691	2.421
	686	1.158	1.662
	1.342	2.268	3.243
<b>2400</b>	1.092	1.844	2.642
	748	1.263	1.813
	1.464	2.474	3.538
<b>2600</b>		1.999	
		1.368	
		2.681	
<b>2800</b>		2.152	
		1.474	
		2.887	
<b>3000</b>		2.306	
		1.579	
		3.093	

700		
10	20	30
209	350	497
143	239	340
280	470	666
261	437	621
178	299	425
350	587	833
312	524	746
214	359	511
419	704	1.000
364	612	869
249	419	595
489	822	1.166
416	699	994
285	478	681
559	939	1.333
469	787	1.118
321	539	765
629	1.057	1.499
521	874	1.242
356	598	851
699	1.174	1.666
573	962	1.367
392	658	936
769	1.291	1.833
625	1.049	1.490
428	718	1.021
839	1.409	1.999
729	1.225	1.739
499	838	1.191
979	1.644	2.332
833	1.399	1.988
570	957	1.361
1.118	1.878	2.666
937	1.574	2.236
641	1.077	1.531
1.258	2.113	2.999
1.041	1.749	2.484
712	1.196	1.701
1.398	2.348	3.332

900		
10	20	30
261	431	607
178	294	414
351	580	816
325	538	758
222	368	517
439	725	1.020
391	646	909
267	441	620
526	869	1.223
456	754	1.061
311	515	724
614	1.014	1.427
522	862	1.212
356	588	827
702	1.159	1.631
586	970	1.364
400	662	931
789	1.304	1.835
652	1.078	1.516
444	736	1.034
877	1.449	2.039
717	1.185	1.667
489	809	1.138
965	1.594	2.243
782	1.293	1.819
533	883	1.241
1.052	1.739	2.447
913	1.509	2.122
622	1.030	1.448
1.228	2.029	2.855
1.043	1.724	2.425
711	1.177	1.655
1.403	2.318	3.262
1.173	1.940	2.728
800	1.324	1.862
1.579	2.608	3.670
1.303	2.155	3.032
889	1.471	2.068
1.754	2.898	4.078

## General information

### HYGIENE

The Hygiene radiator is a panel radiator without convection fins, upper grille or side panels, made from high-quality steel. A classic icon.

Product:	a classic panel radiator without convection fins
Finishing:	without convection fins, upper grille or side panels
Also supplied:	VDI brackets with anti-lift (type Monclac), screws, plugs, blind plug, air vent and installation instructions
Connections:	4 x ½" female connection
Lugs:	2 pairs of mounting lugs up to 1.600 mm and 3 pairs from 1.800 mm
Packaging:	Every radiator is sturdily packaged in high-quality cardboard and wrapped in plastic. The radiator's characteristics are shown on the label: type – height – length.
Warranty:	10 years, as long as the installation instructions have been followed and Stelrad's warranty conditions have been met.
Paint process:	All radiators are degreased, phosphated, cataphoretically primed and powder-coated in Stelrad white 9016 as standard.
Colours:	Stelrad white 9016 + 35 different Stelrad colours and about 200 RAL-colours are possible
Heat cost allocator:	Suitable for heat cost allocators, both electronic and according to the evaporation principle (covered by the norm of EN834 & EN835).
Max. operating pressure:	10 bar (tested to 13 bar)
Max. operating temperature:	110 °C
Conformity:	in accordance with EN442
Quality assurance:	NF
Types:	10   20   30
Heights:	300   400   500   600   700   900 mm
Lengths:	400 – 3.000 mm
Depths:	47   77   158 mm

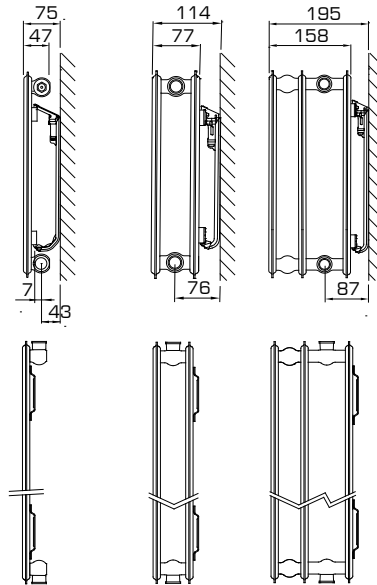


## Type overview

Calculation factor  
per meter  
at 75/65/20°C  
according to EN442

Characteristic equation:

$$\Phi = K_M \times \Delta T^n$$



Height		Type 10	Type 20	Type 30	Centre distance
300	W	338	571	859	250
	kg	6,17	11,64	17,90	
	l	1,89	3,70	5,20	
	m <sup>2</sup>	0,68	1,37	2,04	
	n	1,28	1,34	1,30	
400	W	430	730	1.073	350
	kg	8,22	15,86	23,37	
	l	2,34	4,67	6,57	
	m <sup>2</sup>	0,91	1,83	2,73	
	n	1,29	1,33	1,30	
500	W	521	883	1.277	450
	kg	10,28	20,08	28,83	
	l	2,80	5,63	7,93	
	m <sup>2</sup>	1,14	2,28	3,42	
	n	1,30	1,32	1,31	
600	W	610	1.031	1.474	550
	kg	12,33	24,30	34,30	
	l	3,25	6,60	9,30	
	m <sup>2</sup>	1,37	2,74	4,11	
	n	1,31	1,32	1,31	
700	W	699	1.174	1.666	650
	kg	14,19	28,00	40,07	
	l	3,77	7,63	10,67	
	m <sup>2</sup>	1,60	3,20	4,79	
	n	1,32	1,32	1,32	
900	W	877	1.449	2.039	850
	kg	17,90	35,40	51,60	
	l	4,80	9,70	13,40	
	m <sup>2</sup>	2,06	4,12	6,17	
	n	1,33	1,33	1,33	

W=heat output per meter / kg=weight per meter / l=content per meter / m<sup>2</sup>=surface per meter / n=exponent  
The manufacturer reserves the right to alter any of the specifications shown in this document without prior notice.

## HYGIENE

Heat outputs in Watt according to EN442



**EN442 (W) 70/50/20°C**

**EN442 (W) 55/45/20°C**

**EN442 (W) 75/65/20°C**

Stelrad\_BV/PL 19/01/07/E013

Height	300		
	10	20	30
<b>400</b>	101	169	257
	70 135	115 228	177 344
<b>500</b>	127	212	322
	88 169	145 286	221 430
<b>600</b>	152	255	385
	105 203	173 343	265 515
<b>700</b>	178	297	450
	123 237	202 400	309 601
<b>800</b>	203	339	514
	140 270	231 457	354 687
<b>900</b>	228	382	578
	158 304	260 514	398 773
<b>1000</b>	254	424	643
	176 338	289 571	442 859
<b>1100</b>	279	466	707
	193 372	318 628	487 945
<b>1200</b>	305	509	771
	211 406	346 685	531 1.031
<b>1400</b>	355	593	900
	246 473	404 799	619 1.203
<b>1600</b>		679	1.028
		462 914	707 1.374
<b>1800</b>		763	1.157
		520 1.028	796 1.546
<b>2000</b>		848	1.286
		577 1.142	885 1.718
<b>2200</b>		932	1.414
		635 1.256	973 1.890
<b>2400</b>		1.017	1.543
		693 1.370	1.062 2.062
<b>2600</b>		1.102	
		751 1.485	
<b>2800</b>		1.187	
		808 1.599	
<b>3000</b>		1.272	
		866 1.713	

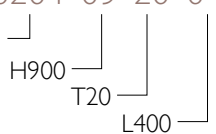
400		
10	20	30
129	217	321
89 172	148 292	221 429
161	271	401
111 215	185 365	276 537
193	326	482
133 258	222 438	331 644
226	380	562
155 301	259 511	386 751
258	434	642
178 344	296 584	441 858
290	488	722
200 387	333 657	497 966
322	543	802
222 430	370 730	552 1.073
354	597	882
244 473	407 803	607 1.180
387	651	963
267 516	444 876	662 1.288
451	760	1.123
311 602	518 1.022	772 1.502
516	868	1.284
355 688	592 1.168	883 1.717
580	977	1.444
400 774	666 1.314	993 1.931
644	1.085	1.605
444 860	740 1.460	1.103 2.146
	1.194	1.765
	815 1.606	1.214 2.361
	1.302	1.925
	889 1.752	1.324 2.575
	1.411	
	963 1.898	
	1.519	
	1.037 2.044	
	1.628	
	1.111 2.190	

500		
10	20	30
155	263	382
107 208	180 353	262 511
194	329	477
134 261	225 442	327 639
234	395	572
161 313	270 530	393 766
273	460	668
188 365	314 618	459 894
312	526	764
214 417	359 706	524 1.022
351	592	859
241 469	404 795	590 1.149
389	657	954
268 521	449 883	655 1.277
428	723	1.050
294 573	494 971	721 1.405
467	789	1.145
321 625	539 1.060	786 1.532
545	920	1.336
375 729	629 1.236	918 1.788
623	1.052	1.527
428 834	719 1.413	1.048 2.043
701	1.183	1.718
482 938	808 1.589	1.180 2.299
779	1.315	1.908
535 1.042	899 1.766	1.311 2.554
857	1.446	2.099
589 1.146	989 1.943	1.442 2.809
934	1.577	2.290
642 1.250	1.078 2.119	1.573 3.065
	1.709	
	1.168 2.296	
	1.840	
	1.258 2.472	
	1.972	
	1.348 2.649	

Core assortment (Stelrad white 9016) available ex factory within 10 days.  
 Core assortment is subject to change, please refer to [www.stelrad.eu](http://www.stelrad.eu) for the latest information.  
 Delivery time depends on the model, please refer to your distributor.

## HYGIENE

On the label:  
 4-CONNECTIONS NAKED HYGIENE T10-30: 0204



Art. 0204 09 20 04

Height	600		
	10	20	30
400	182	307	441
	125	210	302
	244	412	590
500	227	385	550
	156	263	378
	305	516	737
600	273	461	660
	187	316	453
	366	619	884
700	318	538	771
	218	369	529
	427	722	1.032
800	364	615	880
	249	421	604
	488	825	1.179
900	409	692	991
	281	474	680
	549	928	1.327
1000	455	769	1.101
	312	526	755
	610	1.031	1.474
1100	500	845	1.210
	343	579	830
	671	1.134	1.621
1200	546	922	1.321
	374	631	906
	732	1.237	1.769
1400	637	1.076	1.541
	436	737	1.057
	854	1.443	2.064
1600	728	1.230	1.761
	499	842	1.208
	976	1.650	2.358
1800	819	1.384	1.981
	561	947	1.359
	1.098	1.856	2.653
2000	910	1.537	2.201
	623	1.052	1.510
	1.220	2.062	2.948
2200	1.001	1.691	2.421
	686	1.158	1.662
	1.342	2.268	3.243
2400	1.092	1.844	2.642
	748	1.263	1.813
	1.464	2.474	3.538
2600		1.999	
		1.368	
		2.681	
2800		2.152	
		1.474	
		2.887	
3000		2.306	
		1.579	
		3.093	

700		
10	20	30
209	350	497
143	239	340
280	470	666
261	437	621
178	299	425
350	587	833
312	524	746
214	359	511
419	704	1.000
364	612	869
249	419	595
489	822	1.166
416	699	994
285	478	681
559	939	1.333
469	787	1.118
321	539	765
629	1.057	1.499
521	874	1.242
356	598	851
699	1.174	1.666
573	962	1.367
392	658	936
769	1.291	1.833
625	1.049	1.490
428	718	1.021
839	1.409	1.999
729	1.225	1.739
499	838	1.191
979	1.644	2.332
833	1.399	1.988
570	957	1.361
1.118	1.878	2.666
937	1.574	2.236
641	1.077	1.531
1.258	2.113	2.999
1.041	1.749	2.484
712	1.196	1.701
1.398	2.348	3.332

900		
10	20	30
261	431	607
178	294	414
351	580	816
325	538	758
222	368	517
439	725	1.020
391	646	909
267	441	620
526	869	1.223
456	754	1.061
311	515	724
614	1.014	1.427
522	862	1.212
356	588	827
702	1.159	1.631
586	970	1.364
400	662	931
789	1.304	1.835
652	1.078	1.516
444	736	1.034
877	1.449	2.039
717	1.185	1.667
489	809	1.138
965	1.594	2.243
782	1.293	1.819
533	883	1.241
1.052	1.739	2.447
913	1.509	2.122
622	1.030	1.448
1.228	2.029	2.855
1.043	1.724	2.425
711	1.177	1.655
1.403	2.318	3.262
1.173	1.940	2.728
800	1.324	1.862
1.579	2.608	3.670
1.303	2.155	3.032
889	1.471	2.068
1.754	2.898	4.078

## General information

### VERTICAL GALVA

Without sacrificing any heat output the vertical design of the Vertical Galva saves space. In addition, this radiator is treated with a protective galvanised coating, so it can be used without any concerns in wet areas.

Product:	vertical panel radiator with a centre connection and a protective galvanised coating
Finishing:	protective galvanised coating and side panels (only for types 11, 20, 21 and 22)
Also supplied:	wall brackets, ETA safety screws and plugs, screws, plugs, air vent, blind plugs and installation instructions
Connections:	4 x ½" female connection (centre connection included). Types 20, 21 and 22 can be reversed (front/back), in which case inlet and outlet are also reversed.
Lugs:	no lugs
Packaging:	Every radiator is sturdily packaged in high-quality cardboard and wrapped in plastic. The radiator's characteristics are shown on the label: type – height – length.
Warranty:	10 years, as long as the installation instructions have been followed and Stelrad's warranty conditions have been met.
Paint process:	All radiators are galvanised, degreased, phosphated, cathodically primed and powder-coated in Stelrad white 9016 as standard.
Colours:	Stelrad white 9016 + 35 different Stelrad colours and about 200 RAL-colours are possible
Heat cost allocator:	Suitable for heat cost allocators, both electronic and according to the evaporation principle (covered by the norm of EN834 & EN835).
Max. operating pressure:	10 bar (tested to 13 bar)
Max. operating temperature:	110 °C
Conformity:	in accordance with EN442
Types:	10   11   20   21   22
Heights:	1.600   1.800   2.000   2.200 mm
Lengths:	300   400   500   600   700 mm
Depths:	47   47   77   77   100 mm

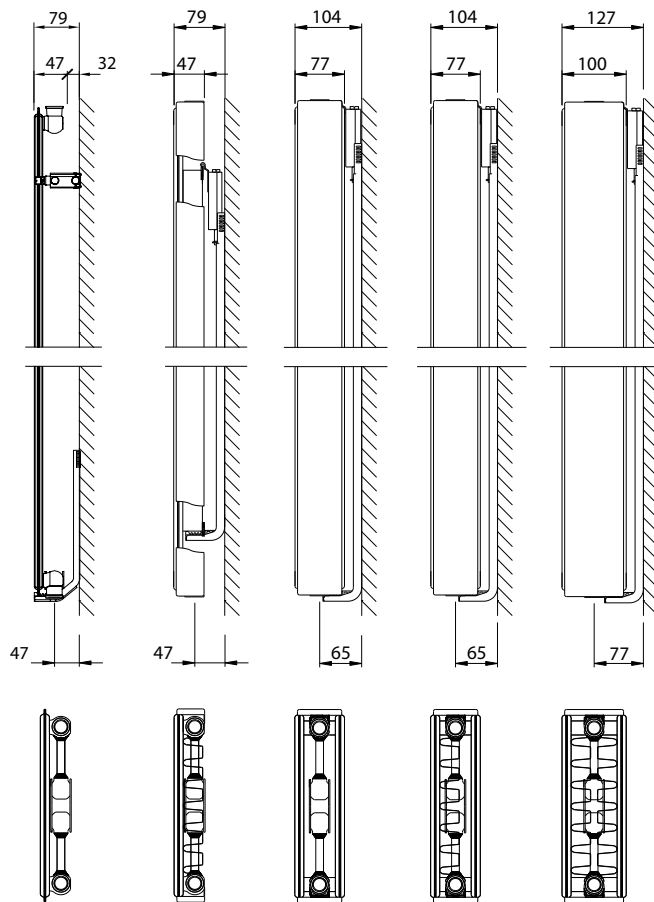


## Type overview

Calculation factor  
per meter  
at 75/65/20°C  
according to EN442

Characteristic equation:

$$\Phi = K_M \times \Delta T^n$$



Height		Type 10	Type 11	Type 20	Type 21	Type 22	Height
1600	W	1.677	2.157	2.592	3.030	3.630	1600
	kg	30,90	42,90	63,30	71,70	80,70	
	l	7,20	7,20	14,40	14,10	14,10	
	m <sup>2</sup>	3,67	9,40	7,33	12,66	28,99	
	n	1,27	1,34	1,32	1,32	1,33	
1800	W	1.863	2.379	2.865	3.330	3.960	1800
	kg	34,50	48,30	71,10	80,10	88,80	
	l	8,40	8,40	16,20	16,50	16,20	
	m <sup>2</sup>	4,13	9,86	8,25	13,58	29,90	
	n	1,29	1,33	1,31	1,33	1,33	
2000	W	2.058	2.595	3.120	3.600	4.290	2000
	kg	38,10	53,70	78,60	89,10	96,60	
	l	9,30	9,30	18,00	18,60	18,00	
	m <sup>2</sup>	4,59	12,15	9,17	16,20	37,74	
	n	1,30	1,33	1,31	1,33	1,33	
2200	W	2.265	2.802	3.390	3.870	4.620	2200
	kg	42,00	57,90	87,60	98,40	108,90	
	l	10,20	10,20	20,10	20,10	20,10	
	m <sup>2</sup>	5,04	12,61	10,09	17,11	38,66	
	n	1,32	1,32	1,30	1,33	1,34	

W=heat output per meter / kg=weight per meter / l=content per meter / m<sup>2</sup>=surface per meter / n=exponent  
The manufacturer reserves the right to alter any of the specifications shown in this document without prior notice.

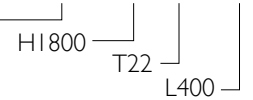
## VERTICAL GALVA

Heat outputs in Watt according to EN442



On the label:  
VERTICAL GALVA T10-22:

Art. 0674 18 22 04



**EN442 (W) 70/50/20°C**

**EN442 (W) 55/45/20°C**

**EN442 (W) 75/65/20°C**

Steirrad BV/PL19/01/07/E013

Height	1600					1800					2000					2200					Height
	Type	10	11	20	21	22	10	11	20	21	22	10	11	20	21	22	10	11	20	21	
<b>300</b>	378	480	579	677	810	419	530	642	743	883	461	578	699	803	956	507	626	761	862	1.028	<b>300</b>
	262	327	396	462	553	289	362	440	507	602	317	395	480	548	651	347	428	524	588	700	
<b>400</b>	503	647	778	909	1.089	559	714	860	999	1.188	617	779	936	1.080	1.287	680	841	1.017	1.161	1.386	<b>400</b>
	505	641	772	902	1.080	559	707	855	991	1.177	615	772	932	1.070	1.274	675	834	1.015	1.150	1.371	
<b>500</b>	350	436	528	616	737	386	482	586	676	803	423	527	640	730	868	462	570	698	784	933	<b>500</b>
	671	863	1.037	1.212	1.452	745	952	1.146	1.332	1.584	823	1.038	1.248	1.440	1.716	906	1.121	1.356	1.548	1.848	
<b>600</b>	631	800	965	1.128	1.350	699	884	1.068	1.238	1.471	769	965	1.165	1.338	1.593	844	1.043	1.268	1.437	1.714	<b>600</b>
	437	545	660	771	921	482	603	732	846	1.003	529	659	800	913	1.085	577	712	873	980	1.166	
<b>700</b>	839	1.079	1.296	1.515	1.815	932	1.190	1.433	1.665	1.980	1.029	1.298	1.560	1.800	2.145	1.133	1.401	1.695	1.935	2.310	<b>700</b>
	757	960	1.158	1.353	1.620	839	1.060	1.282	1.486	1.765	923	1.158	1.399	1.606	1.911	1.013	1.251	1.522	1.725	2.057	
<b>700</b>	525	654	792	925	1.105	579	723	879	1.015	1.204	635	790	960	1.095	1.302	693	855	1.047	1.176	1.400	<b>700</b>
	1.006	1.294	1.555	1.818	2.178	1.118	1.427	1.719	1.998	2.376	1.235	1.557	1.872	2.160	2.574	1.359	1.681	2.034	2.322	2.772	
<b>700</b>	883	1.121	1.351	1.579	1.890	978	1.237	1.496	1.734	2.060	1.077	1.350	1.632	1.873	2.230	1.182	1.459	1.775	2.012	2.399	<b>700</b>
	612	763	924	1.079	1.290	675	843	1.025	1.184	1.404	740	922	1.120	1.278	1.519	809	997	1.222	1.372	1.633	
	1.174	1.510	1.814	2.121	2.541	1.304	1.665	2.006	2.331	2.772	1.441	1.817	2.184	2.520	3.003	1.586	1.961	2.373	2.709	3.234	

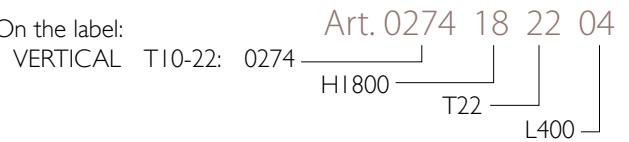


## VERTEX

Heat outputs in Watt according to EN442



On the label:



**EN442 (W) 70/50/20°C**

**EN442 (W) 55/45/20°C**

**EN442 (W) 75/65/20°C**

Stelrad BV/PL19/01/07/E013

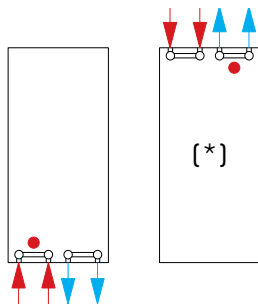
Height	1600					1800					2000					2200					Height
	Type	10	11	20	21	22	10	11	20	21	22	10	11	20	21	22	10	11	20	21	
300	378	480	579	677	810	419	530	642	743	883	461	578	699	803	956	507	626	761	862	1.028	300
	262	327	396	462	553	289	362	440	507	602	317	395	480	548	651	347	428	524	588	700	
	503	647	778	909	1.089	559	714	860	999	1.188	617	779	936	1.080	1.287	680	841	1.017	1.161	1.386	
400	505	641	772	902	1.080	559	707	855	991	1.177	615	772	932	1.070	1.274	675	834	1.015	1.150	1.371	400
	350	436	528	616	737	386	482	586	676	803	423	527	640	730	868	462	570	698	784	933	
	671	863	1.037	1.212	1.452	745	952	1.146	1.332	1.584	823	1.038	1.248	1.440	1.716	906	1.121	1.356	1.548	1.848	
500	631	800	965	1.128	1.350	699	884	1.068	1.238	1.471	769	965	1.165	1.338	1.593	844	1.043	1.268	1.437	1.714	500
	437	545	660	771	921	482	603	732	846	1.003	529	659	800	913	1.085	577	712	873	980	1.166	
	839	1.079	1.296	1.515	1.815	932	1.190	1.433	1.665	1.980	1.029	1.298	1.560	1.800	2.145	1.133	1.401	1.695	1.935	2.310	
600	757	960	1.158	1.353	1.620	839	1.060	1.282	1.486	1.765	923	1.158	1.399	1.606	1.911	1.013	1.251	1.522	1.725	2.057	600
	525	654	792	925	1.105	579	723	879	1.015	1.204	635	790	960	1.095	1.302	693	855	1.047	1.176	1.400	
	1.006	1.294	1.555	1.818	2.178	1.118	1.427	1.719	1.998	2.376	1.235	1.557	1.872	2.160	2.574	1.359	1.681	2.034	2.322	2.772	
700	883	1.121	1.351	1.579	1.890	978	1.237	1.496	1.734	2.060	1.077	1.350	1.632	1.873	2.230	1.182	1.459	1.775	2.012	2.399	700
	612	763	924	1.079	1.290	675	843	1.025	1.184	1.404	740	922	1.120	1.278	1.519	809	997	1.222	1.372	1.633	
	1.174	1.510	1.814	2.121	2.541	1.304	1.665	2.006	2.331	2.772	1.441	1.817	2.184	2.520	3.003	1.586	1.961	2.373	2.709	3.234	

Core assortment (Stelrad white 9016) available ex factory within 10 days.  
 Core assortment is subject to change, please refer to [www.stelrad.eu](http://www.stelrad.eu) for the latest information.  
 Delivery time depends on the model, please refer to your distributor.

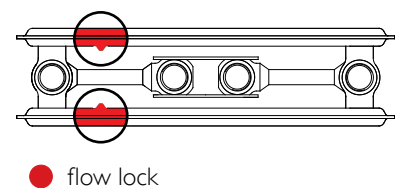
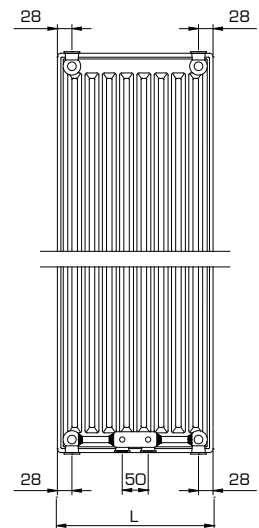
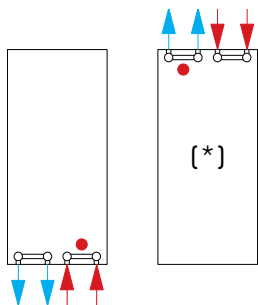
## CONNECTION POSSIBILITIES VERTICAL GALVA · VERTEX

View: front of radiator

Types 10 / 11 / 20 / 21 / 22



Types 20 / 21 / 22



● flow lock

(\*) With these connection options, both the supply and return must be vented.  
 Top connection allowed provided there is a temperature difference between flow and return of maximum 20°C.

## General information

### VERTEX

Do you only have limited space to fit a radiator? The Vertex is the solution. This vertical radiator takes up a minimum of space and optimally heats the cold air next to large window section.

Product:	vertical panel radiator with a centre connection
Finishing:	side panels (only for types 11, 20, 21 and 22)
Also supplied:	wall brackets, ETA safety screws and plugs, screws, plugs, air vent, blind plugs and installation instructions
Connections:	4 x ½" female connection (centre connection included). Types 20, 21 and 22 can be reversed (front/back), in which case inlet and outlet are also reversed.
Lugs:	no lugs
Packaging:	Every radiator is sturdily packaged in high-quality cardboard and wrapped in plastic. The radiator's characteristics are shown on the label: type – height – length.
Warranty:	10 years, as long as the installation instructions have been followed and Stelrad's warranty conditions have been met.
Paint process:	All radiators are degreased, phosphated, cathodically primed and powder-coated in Stelrad white 9016 as standard.
Colours:	Stelrad white 9016 + 35 different Stelrad colours and about 200 RAL-colours are possible
Heat cost allocator:	Suitable for heat cost allocators, both electronic and according to the evaporation principle (covered by the norm of EN834 & EN835).
Max. operating pressure:	10 bar (tested to 13 bar)
Max. operating temperature:	110 °C
Conformity:	in accordance with EN442
Quality assurance:	NF
Types:	10   11   20   21   22
Heights:	1.600   1.800   2.000   2.200 mm
Lengths:	300   400   500   600   700 mm
Depths:	47   47   77   77   100 mm

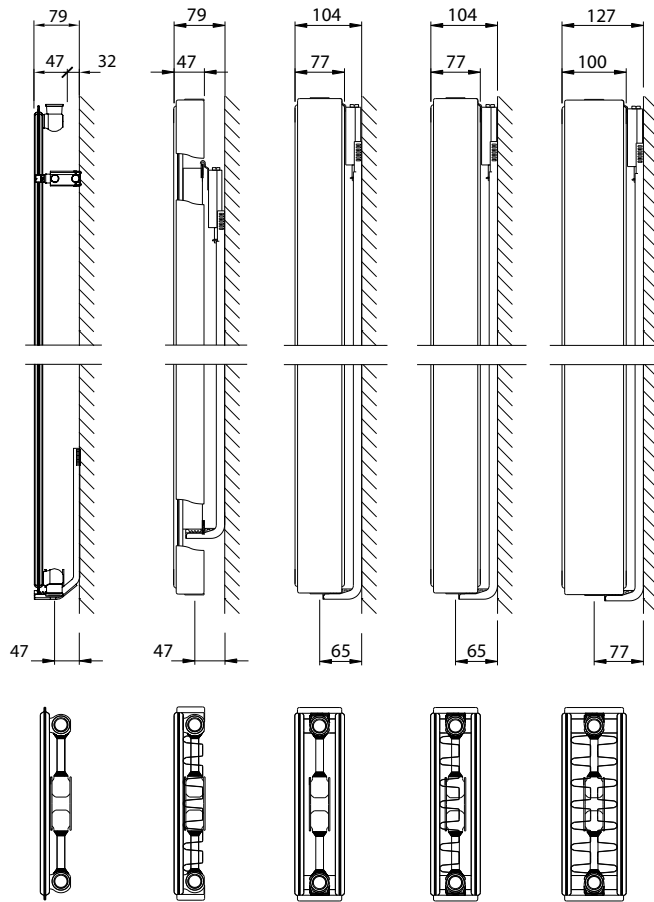


## Type overview

Calculation factor  
per meter  
at 75/65/20°C  
according to EN442

Characteristic equation:

$$\Phi = K_M \times \Delta T^n$$



Height		Type 10	Type 11	Type 20	Type 21	Type 22	Height
1600	W	1.677	2.157	2.592	3.030	3.630	1600
	kg	30,90	42,90	63,30	71,70	80,70	
	l	7,20	7,20	14,40	14,10	14,10	
	m <sup>2</sup>	3,67	9,40	7,33	12,66	28,99	
	n	1,27	1,34	1,32	1,32	1,33	
1800	W	1.863	2.379	2.865	3.330	3.960	1800
	kg	34,50	48,30	71,10	80,10	88,80	
	l	8,40	8,40	16,20	16,50	16,20	
	m <sup>2</sup>	4,13	9,86	8,25	13,58	29,90	
	n	1,29	1,33	1,31	1,33	1,33	
2000	W	2.058	2.595	3.120	3.600	4.290	2000
	kg	38,10	53,70	78,60	89,10	96,60	
	l	9,30	9,30	18,00	18,60	18,00	
	m <sup>2</sup>	4,59	12,15	9,17	16,20	37,74	
	n	1,30	1,33	1,31	1,33	1,33	
2200	W	2.265	2.802	3.390	3.870	4.620	2200
	kg	42,00	57,90	87,60	98,40	108,90	
	l	10,20	10,20	20,10	20,10	20,10	
	m <sup>2</sup>	5,04	12,61	10,09	17,11	38,66	
	n	1,32	1,32	1,30	1,33	1,34	

W=heat output per meter / kg=weight per meter / l=content per meter / m<sup>2</sup>=surface per meter / n=exponent  
The manufacturer reserves the right to alter any of the specifications shown in this document without prior notice.

## General information

### NOVELLO 8

The Novello 8 radiator is a fully encased radiator equipped with an integrated adjustable valve insert. Furthermore you have, thanks to the 4 side- and 4 bottom connections, a variety of connection possibilities. This makes the Novello 8 easy to install and applicable in about every situation. In addition, it offers a uniform wall distance of 65 mm for all types at the centre connection.

Product:	the fully encased valve radiator with 8 connections
Finishing:	upper grille and side panels
Pre-installed:	preset valve insert, air vent and blind plugs
Valve insert:	The integrated adjustable valve insert (without thermostatic head) is factory-fit on the right side of the radiator, tested in accordance with EN215 and compatible with thermostatic heads M30 x 1,5 mm. The thermostatic valve insert is factory-set in relation to the size of the radiator. This presetting ensures optimum throughput in the radiator. Factory setting for two-pipe systems, also suitable for one-pipe systems (as long as the valve insert is adjusted to position 8).
Also supplied:	Monclac brackets with anti-lift (VDI compliant when used in combination with included anti-slide clips), screws, plugs and installation instructions
Connections:	4 x ¾" male Eurocone bottom connection (2 x centre and 2 x lateral) and 4 x ½" female side connection. Uniform wall distance of 65 mm for all types at the centre connection. Left handed version: types 21, 22 and 33 are reversible. Reversing types 22 or 33 will modify the centre to wall distance of 65 mm.
Lugs:	Type 11 is equipped with 2 pairs of mounting lugs up to 1.600 mm and 3 pairs from 1.800 mm
Packaging:	Every radiator is sturdily packaged in high-quality cardboard and wrapped in plastic. The radiator's characteristics are shown on the label: type – height – length.
Warranty:	10 years, as long as the installation instructions have been followed and Stelrad's warranty conditions have been met.
Paint process:	All radiators are degreased, phosphated, cathodically primed and powder-coated in Stelrad white 9016 as standard.
Colours:	Stelrad white 9016 + 35 different Stelrad colours and about 200 RAL-colours are possible
Heat cost allocator:	Suitable for heat cost allocators, both electronic and according to the evaporation principle (covered by the norm of EN834 & EN835).
Max. operating pressure:	10 bar (tested to 13 bar)
Max. operating temperature:	110 °C
Conformity:	in accordance with EN442
Quality assurance:	NF
Types:	11   21   22   33
Heights:	300   400   500   600   700   900 mm
Lengths:	400 – 3.000 mm
Depths:	61   77   100   158 mm



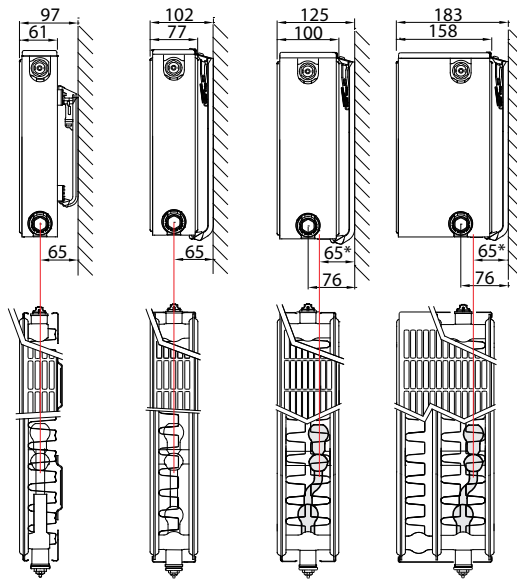
## Type overview

Calculation factor  
per meter  
at 75/65/20°C  
according to EN442

Characteristic equation:

$$\Phi = K_M \times \Delta T^n$$

\* centre connection only



Height		Type 11	Type 21	Type 22	Type 33	Centre distance
300	W	509	745	982	1.349	250
	kg	9,31	14,29	16,80	25,20	
	l	1,89	3,70	3,70	5,40	
	m <sup>2</sup>	2,09	2,44	3,51	5,26	
	n	1,32	1,33	1,33	1,31	
400	W	676	954	1.245	1.711	350
	kg	12,78	19,46	22,87	34,30	
	l	2,34	4,67	4,67	6,87	
	m <sup>2</sup>	2,95	3,37	4,92	7,38	
	n	1,31	1,33	1,33	1,32	
500	W	833	1.153	1.494	2.056	450
	kg	16,24	24,63	28,93	43,40	
	l	2,80	5,63	5,63	8,33	
	m <sup>2</sup>	3,80	4,31	6,33	9,49	
	n	1,30	1,34	1,33	1,32	
600	W	980	1.345	1.732	2.389	550
	kg	19,70	29,80	35,00	52,50	
	l	3,25	6,60	6,60	9,80	
	m <sup>2</sup>	4,66	5,24	7,74	11,61	
	n	1,29	1,34	1,33	1,32	
700	W	1.117	1.530	1.961	2.712	650
	kg	22,90	34,50	40,53	60,77	
	l	3,77	7,63	7,63	11,37	
	m <sup>2</sup>	5,51	6,18	9,15	13,72	
	n	1,29	1,34	1,34	1,34	
900	W	1.360	1.883	2.395	3.334	850
	kg	29,30	43,90	51,60	77,30	
	l	4,80	9,70	9,70	14,50	
	m <sup>2</sup>	7,22	8,05	11,97	17,96	
	n	1,29	1,34	1,35	1,37	

W=heat output per meter / kg=weight per meter / l=content per meter / m<sup>2</sup>=surface per meter / n=exponent  
The manufacturer reserves the right to alter any of the specifications shown in this document without prior notice.

## NOVELLO 8

Heat outputs in Watt according to EN442



**EN442 (W) 70/50/20°C**

**EN442 (W) 55/45/20°C**

**EN442 (W) 75/65/20°C**

Stelrad BV/PL 19/01/07/E013

Height	300			
	11	21	22	33
<b>400</b>	152	221	292	403
	104	151	200	276
	204	298	393	540
<b>500</b>	189	276	365	503
	129	189	249	345
	255	373	491	675
<b>600</b>	227	332	438	603
	155	227	299	414
	305	447	589	809
<b>700</b>	265	388	511	704
	181	265	349	483
	356	522	687	944
<b>800</b>	303	443	585	805
	207	302	399	552
	407	596	786	1079
<b>900</b>	341	498	658	906
	233	340	449	621
	458	671	884	1214
<b>1000</b>	379	554	730	1006
	259	378	499	690
	509	745	982	1349
<b>1100</b>	417	609	803	1107
	285	416	548	759
	560	820	1080	1484
<b>1200</b>	455	664	876	1208
	311	453	598	828
	611	894	1178	1619
<b>1400</b>	531	775	1023	1409
	363	529	698	966
	713	1043	1375	1889
<b>1600</b>		886	1169	1610
		604	798	1103
		1192	1571	2158
<b>1800</b>		997	1315	1811
		680	898	1241
		1341	1768	2428
<b>2000</b>		1107	1461	2012
		755	997	1379
		1490	1964	2698
<b>2200</b>		1218	1607	2214
		831	1097	1517
		1639	2160	2968
<b>2400</b>		1329	1753	2415
		907	1197	1655
		1788	2357	3238
<b>2600</b>			1899	
			1297	
			2553	
<b>2800</b>			2045	
			1397	
			2750	
<b>3000</b>			2191	
			1496	
			2946	

400			
11	21	22	33
201	284	370	510
138	193	253	349
270	382	498	684
252	354	462	638
173	241	315	437
338	477	623	856
303	425	555	766
208	290	379	524
406	572	747	1027
353	496	648	893
242	338	442	611
473	668	872	1198
404	567	740	1020
277	386	505	699
541	763	996	1369
454	638	833	1148
311	435	568	786
608	859	1121	1540
504	709	925	1275
346	483	631	873
676	954	1245	1711
555	779	1018	1403
381	531	695	960
744	1049	1370	1882
605	850	1111	1530
415	580	758	1048
811	1145	1494	2053
706	992	1296	1785
484	676	884	1222
946	1336	1743	2395
807	1134	1481	2041
554	773	1010	1397
1082	1526	1992	2738
908	1275	1666	2296
623	869	1137	1572
1217	1717	2241	3080
1009	1417	1851	2551
692	966	1263	1746
1352	1908	2490	3422
	1559	2036	2806
	1063	1389	1921
	2099	2739	3764
	1701	2221	3061
	1159	1515	2095
	2290	2988	4106
		2406	
		1642	
		3237	
		2591	
		1768	
		3486	
		2776	
		1894	
		3735	

500			
11	21	22	33
249	342	444	612
171	233	303	419
333	461	598	822
311	428	555	766
214	291	378	524
417	577	747	1028
374	514	666	919
257	350	454	629
500	692	896	1234
436	599	777	1072
300	408	530	733
583	807	1046	1439
498	684	888	1225
343	466	605	838
666	922	1195	1645
561	771	999	1378
386	525	681	943
750	1038	1345	1850
623	856	1110	1531
428	583	757	1047
833	1153	1494	2056
685	941	1221	1685
471	641	832	1152
916	1268	1643	2262
748	1027	1332	1838
514	700	908	1257
1000	1384	1793	2467
872	1198	1554	2144
600	816	1059	1466
1166	1614	2092	2878
997	1370	1776	2451
686	933	1210	1676
1333	1845	2390	3290
1121	1540	1998	2757
771	1049	1362	1886
1499	2075	2689	3701
1246	1712	2220	3063
857	1166	1513	2095
1666	2306	2988	4112
1371	1883	2442	3369
943	1283	1665	2304
1833	2537	3287	4523
1495	2054	2664	3675
1028	1399	1816	2514
1999	2767	3586	4934
		2885	
		1967	
		3884	
		3108	
		2118	
		4183	
		3330	
		2270	
		4482	

Core assortment (Stelrad white 9016) available ex factory within 10 days.  
 Core assortment is subject to change, please refer to [www.stelrad.eu](http://www.stelrad.eu) for the latest information.  
 Delivery time depends on the model, please refer to your distributor.

# NOVELLO 8

On the label:  
8-CONNECTIONS

Art. 0662 06 22 04

T21-33: 0662  
T11: 0661

Height	600			
Type	11	21	22	33
<b>400</b>	294	399	515	712
	203	272	350	486
	392	538	693	956
<b>500</b>	367	499	643	889
	253	339	438	607
	490	673	866	1.195
<b>600</b>	441	599	771	1.067
	304	407	525	729
	588	807	1.039	1.433
<b>700</b>	514	699	900	1.244
	355	476	613	850
	686	942	1.212	1.672
<b>800</b>	588	798	1.029	1.422
	405	543	701	972
	784	1.076	1.386	1.911
<b>900</b>	661	898	1.157	1.600
	456	611	788	1.094
	882	1.211	1.559	2.150
<b>1000</b>	735	998	1.286	1.778
	507	679	876	1.215
	980	1.345	1.732	2.389
<b>1100</b>	808	1.098	1.414	1.956
	557	747	963	1.337
	1.078	1.480	1.905	2.628
<b>1200</b>	881	1.197	1.543	2.134
	608	815	1.051	1.458
	1.176	1.614	2.078	2.867
<b>1400</b>	1.028	1.397	1.800	2.490
	709	951	1.226	1.701
	1.372	1.883	2.425	3.345
<b>1600</b>	1.175	1.596	2.057	2.845
	810	1.086	1.401	1.944
	1.568	2.152	2.771	3.822
<b>1800</b>	1.322	1.796	2.315	3.200
	912	1.222	1.577	2.187
	1.764	2.421	3.118	4.300
<b>2000</b>	1.469	1.996	2.572	3.556
	1.013	1.358	1.752	2.430
	1.960	2.690	3.464	4.778
<b>2200</b>	1.616	2.195	2.829	3.912
	1.114	1.494	1.927	2.673
	2.156	2.959	3.810	5.256
<b>2400</b>	1.763	2.395	3.086	4.268
	1.216	1.630	2.102	2.917
	2.352	3.228	4.157	5.734
<b>2600</b>			3.343	
			2.277	
			4.503	
<b>2800</b>			3.601	
			2.453	
			4.850	
<b>3000</b>			3.858	
			2.628	
			5.196	

700			
11	21	22	33
335	454	582	805
231	309	396	547
447	612	784	1.085
418	568	727	1.006
288	386	495	684
559	765	981	1.356
502	681	873	1.207
346	463	594	821
670	918	1.177	1.627
586	795	1.018	1.408
404	541	693	958
782	1.071	1.373	1.898
670	908	1.164	1.609
462	618	792	1.095
894	1.224	1.569	2.170
753	1.022	1.309	1.810
519	695	891	1.232
1.005	1.377	1.765	2.441
837	1.135	1.455	2.011
577	772	990	1.368
1.117	1.530	1.961	2.712
921	1.249	1.600	2.212
635	850	1.089	1.505
1.229	1.683	2.157	2.983
1.004	1.362	1.745	2.413
693	927	1.188	1.642
1.340	1.836	2.353	3.254
1.172	1.589	2.036	2.816
808	1.081	1.385	1.916
1.564	2.142	2.745	3.797
1.339	1.816	2.328	3.218
924	1.236	1.584	2.189
1.787	2.448	3.138	4.339
1.507	2.043	2.619	3.621
1.039	1.390	1.782	2.463
2.011	2.754	3.530	4.882
1.674	2.270	2.909	4.023
1.155	1.545	1.980	2.737
2.234	3.060	3.922	5.424

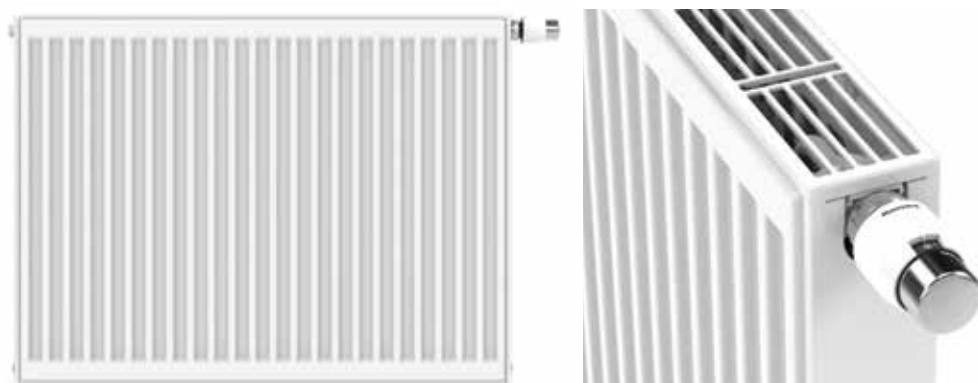
900			
11	21	22	33
408	559	709	982
281	380	482	662
544	753	958	1.334
510	699	887	1.228
351	476	602	827
680	942	1.198	1.667
612	838	1.064	1.473
422	570	722	993
816	1.130	1.437	2.000
714	978	1.241	1.719
492	665	843	1.159
952	1.318	1.677	2.334
816	1.117	1.419	1.964
562	760	963	1.324
1.088	1.506	1.916	2.667
917	1.257	1.597	2.210
633	856	1.084	1.490
1.224	1.695	2.156	3.001
1.019	1.397	1.774	2.455
703	951	1.204	1.655
1.360	1.883	2.395	3.334
1.121	1.536	1.950	2.700
773	1.045	1.324	1.820
1.496	2.071	2.635	3.667
1.223	1.677	2.128	2.946
844	1.141	1.445	1.986
1.632	2.260	2.874	4.001
1.427	1.956	2.483	3.438
984	1.331	1.686	2.317
1.904	2.636	3.353	4.668
1.631	2.235	2.838	3.928
1.125	1.521	1.926	2.648
2.176	3.013	3.832	5.334
1.835	2.514	3.192	4.419
1.265	1.711	2.167	2.979
2.448	3.389	4.311	6.001
2.039	2.794	3.547	4.910
1.406	1.901	2.408	3.310
2.720	3.766	4.790	6.668

## General information

### NOVELLO

The Novello radiator is a fully dressed radiator equipped with an integrated adjustable valve insert. This radiator can be connected either as a valve or as a compact radiator.

Product:	fully encased valve radiator
Finishing:	upper grille and side panels
Pre-installed:	preset Heimeier 4368 or 4369 valve insert, air vent and blind plugs
Valve insert:	The integrated adjustable valve insert (without thermostatic head) is factory-fit on the right side of the radiator; CEN certified, tested in accordance with EN215 and compatible with thermostatic heads M30 x 1,5 mm. The thermostatic valve insert is factory-set in relation to the size of the radiator. This presetting ensures optimum throughput in the radiator. Factory setting for two-pipe systems, also suitable for one-pipe systems (as long as the valve insert is adjusted to position 8).
Also supplied:	Monclac brackets (VDI compliant when used in combination with included anti-slide clips), screws, plugs and installation instructions
Connections:	6 x 1/2" female connection (2 x 1/2" lateral bottom connection included). Left handed version: types 21, 22 and 33 are reversible, type 11 is available on request.
Lugs:	Type 11 is equipped with 2 pairs of mounting lugs up to 1.600 mm and 3 pairs from 1.800 mm
Packaging:	Every radiator is sturdily packaged in high-quality cardboard and wrapped in plastic. The radiator's characteristics are shown on the label: type – height – length.
Warranty:	10 years, as long as the installation instructions have been followed and Stelrad's warranty conditions have been met.
Paint process:	All radiators are degreased, phosphated, cathodically primed and powder-coated in Stelrad white 9016 as standard.
Colours:	Stelrad white 9016 + 35 different Stelrad colours and about 200 RAL-colours are possible
Heat cost allocator:	Suitable for heat cost allocators, both electronic and according to the evaporation principle (covered by the norm of EN834 & EN835).
Max. operating pressure:	10 bar (tested to 13 bar)
Max. operating temperature:	110 °C
Conformity:	in accordance with EN442
Quality assurance:	NF
Types:	11   21   22   33
Heights:	300   400   500   600   700   900 mm
Lengths:	400 – 3.000 mm
Depths:	61   77   100   158 mm



2005

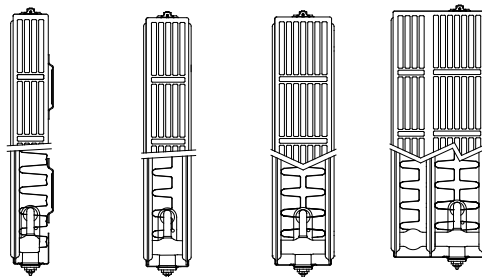
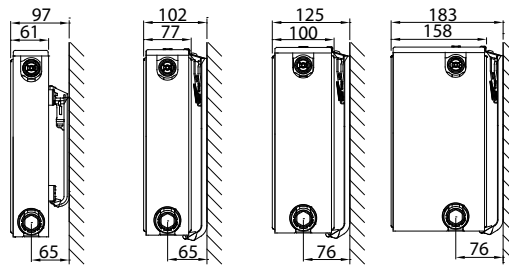


## Type overview

Calculation factor  
per meter  
at 75/65/20°C  
according to EN442

Characteristic equation:

$$\Phi = K_M \times \Delta T^n$$



Height		Type 11	Type 21	Type 22	Type 33	Centre distance
300	W	509	745	982	1.349	250
	kg	9,31	14,29	16,80	25,20	
	l	1,89	3,70	3,70	5,40	
	m <sup>2</sup>	2,09	2,44	3,51	5,26	
	n	1,32	1,33	1,33	1,31	
400	W	676	954	1.245	1.711	350
	kg	12,78	19,46	22,87	34,30	
	l	2,34	4,67	4,67	6,87	
	m <sup>2</sup>	2,95	3,37	4,92	7,38	
	n	1,31	1,33	1,33	1,32	
500	W	833	1.153	1.494	2.056	450
	kg	16,24	24,63	28,93	43,40	
	l	2,80	5,63	5,63	8,33	
	m <sup>2</sup>	3,80	4,31	6,33	9,49	
	n	1,30	1,34	1,33	1,32	
600	W	980	1.345	1.732	2.389	550
	kg	19,70	29,80	35,00	52,50	
	l	3,25	6,60	6,60	9,80	
	m <sup>2</sup>	4,66	5,24	7,74	11,61	
	n	1,29	1,34	1,33	1,32	
700	W	1.117	1.530	1.961	2.712	650
	kg	22,90	34,50	40,53	60,77	
	l	3,77	7,63	7,63	11,37	
	m <sup>2</sup>	5,51	6,18	9,15	13,72	
	n	1,29	1,34	1,34	1,34	
900	W	1.360	1.883	2.395	3.334	850
	kg	29,30	43,90	51,60	77,30	
	l	4,80	9,70	9,70	14,50	
	m <sup>2</sup>	7,22	8,05	11,97	17,96	
	n	1,29	1,34	1,35	1,37	

W=heat output per meter / kg=weight per meter / l=content per meter / m<sup>2</sup>=surface per meter / n=exponent  
The manufacturer reserves the right to alter any of the specifications shown in this document without prior notice.

## NOVELLO

Heat outputs in Watt according to EN442



**EN442 (W) 70/50/20°C**

**EN442 (W) 55/45/20°C**

**EN442 (W) 75/65/20°C**

Stelrad BV/PL 19/01/07/E013

Height	300			
	11	21	22	33
<b>400</b>	152	221	292	403
	104	151	200	276
	204	298	393	540
<b>500</b>	189	276	365	503
	129	189	249	345
	255	373	491	675
<b>600</b>	227	332	438	603
	155	227	349	414
	305	447	589	809
<b>700</b>	265	388	511	704
	181	265	349	483
	356	522	687	944
<b>800</b>	303	443	585	805
	207	302	399	552
	407	596	786	1079
<b>900</b>	341	498	658	906
	233	340	449	621
	458	671	884	1214
<b>1000</b>	379	554	730	1006
	259	378	499	690
	509	745	982	1349
<b>1100</b>	417	609	803	1107
	285	416	548	759
	560	820	1080	1484
<b>1200</b>	455	664	876	1208
	311	453	598	828
	611	894	1178	1619
<b>1400</b>	531	775	1023	1409
	363	529	698	966
	713	1043	1375	1889
<b>1600</b>		886	1169	1610
		604	798	1103
		1192	1571	2158
<b>1800</b>		997	1315	1811
		680	898	1241
		1341	1768	2428
<b>2000</b>		1107	1461	2012
		755	997	1379
		1490	1964	2698
<b>2200</b>		1218	1607	2214
		831	1097	1517
		1639	2160	2968
<b>2400</b>		1329	1753	2415
		907	1197	1655
		1788	2357	3238
<b>2600</b>			1899	
			1297	
			2553	
<b>2800</b>			2045	
			1397	
			2750	
<b>3000</b>			2191	
			1496	
			2946	

400			
11	21	22	33
201	284	370	510
138	193	253	349
270	382	498	684
252	354	462	638
173	241	315	437
338	477	623	856
303	425	555	766
208	290	379	524
406	572	747	1027
353	496	648	893
242	338	442	611
473	668	872	1198
404	567	740	1020
277	386	505	699
541	763	996	1369
454	638	833	1148
311	435	568	786
608	859	1121	1540
504	709	925	1275
346	483	631	873
676	954	1245	1711
555	779	1018	1403
381	531	695	960
744	1049	1370	1882
605	850	1111	1530
415	580	758	1048
811	1145	1494	2053
706	992	1296	1785
484	676	884	1222
946	1336	1743	2395
807	1134	1481	2041
554	773	1010	1397
1082	1526	1992	2738
908	1275	1666	2296
623	869	1137	1572
1217	1717	2241	3080
1009	1417	1851	2551
692	966	1263	1746
1352	1908	2490	3422
	1559	2036	2806
	1063	1389	1921
	2099	2739	3764
	1701	2221	3061
	1159	1515	2095
	2290	2988	4106
		2406	
		1642	
		3237	
		2591	
		1768	
		3486	
		2776	
		1894	
		3735	

500			
11	21	22	33
249	342	444	612
171	233	303	419
333	461	598	822
311	428	555	766
214	291	378	524
417	577	747	1028
374	514	666	919
257	350	454	629
500	692	896	1234
436	599	777	1072
300	408	530	733
583	807	1046	1439
498	684	888	1225
343	466	605	838
666	922	1195	1645
561	771	999	1378
386	525	681	943
750	1038	1345	1850
623	856	1110	1531
428	583	757	1047
833	1153	1494	2056
685	941	1221	1685
471	641	832	1152
916	1268	1643	2262
748	1027	1332	1838
514	700	908	1257
1000	1384	1793	2467
872	1198	1554	2144
600	816	1059	1466
1166	1614	2092	2878
997	1370	1776	2451
686	933	1210	1676
1333	1845	2390	3290
1121	1540	1998	2757
771	1049	1362	1886
1499	2075	2689	3701
1246	1712	2220	3063
857	1166	1513	2095
1666	2306	2988	4112
1371	1883	2442	3369
943	1283	1665	2304
1833	2537	3287	4523
1495	2054	2664	3675
1028	1399	1816	2514
1999	2767	3586	4934
		2885	
		1967	
		3884	
		3108	
		2118	
		4183	
		3330	
		2270	
		4482	

Core assortment (Stelrad white 9016) available ex factory within 10 days.  
 Core assortment is subject to change, please refer to [www.stelrad.eu](http://www.stelrad.eu) for the latest information.  
 Delivery time depends on the model, please refer to your distributor.

# NOVELLO

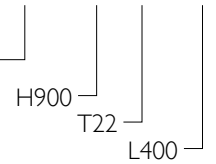
On the label:  
6-CONNECTIONS

6-CONNECTIONS L (Left)

Art. 0221 09 22 04

T21-33: 0221  
T11: 0223

T11: 0224



Height	600			
	11	21	22	33
<b>400</b>	294	399	515	712
	203	272	350	486
	392	538	693	956
<b>500</b>	367	499	643	889
	253	339	438	607
	490	673	866	1.195
<b>600</b>	441	599	771	1.067
	304	407	525	729
	588	807	1.039	1.433
<b>700</b>	514	699	900	1.244
	355	476	613	850
	686	942	1.212	1.672
<b>800</b>	588	798	1.029	1.422
	405	543	701	972
	784	1.076	1.386	1.911
<b>900</b>	661	898	1.157	1.600
	456	611	788	1.094
	882	1.211	1.559	2.150
<b>1000</b>	735	998	1.286	1.778
	507	679	876	1.215
	980	1.345	1.732	2.389
<b>1100</b>	808	1.098	1.414	1.956
	557	747	963	1.337
	1.078	1.480	1.905	2.628
<b>1200</b>	881	1.197	1.543	2.134
	608	815	1.051	1.458
	1.176	1.614	2.078	2.867
<b>1400</b>	1.028	1.397	1.800	2.490
	709	951	1.226	1.701
	1.372	1.883	2.425	3.345
<b>1600</b>	1.175	1.596	2.057	2.845
	810	1.086	1.401	1.944
	1.568	2.152	2.771	3.822
<b>1800</b>	1.322	1.796	2.315	3.200
	912	1.222	1.577	2.187
	1.764	2.421	3.118	4.300
<b>2000</b>	1.469	1.996	2.572	3.556
	1.013	1.358	1.752	2.430
	1.960	2.690	3.464	4.778
<b>2200</b>	1.616	2.195	2.829	3.912
	1.114	1.494	1.927	2.673
	2.156	2.959	3.810	5.256
<b>2400</b>	1.763	2.395	3.086	4.268
	1.216	1.630	2.102	2.917
	2.352	3.228	4.157	5.734
<b>2600</b>			3.343	
			2.277	
<b>2800</b>			4.503	
			3.601	
<b>3000</b>			2.453	
			4.850	
			3.858	
		2.628		
		5.196		

700			
11	21	22	33
335	454	582	805
231	309	396	547
447	612	784	1.085
418	568	727	1.006
288	386	495	684
559	765	981	1.356
502	681	873	1.207
346	463	594	821
670	918	1.177	1.627
586	795	1.018	1.408
404	541	693	958
782	1.071	1.373	1.898
670	908	1.164	1.609
462	618	792	1.095
894	1.224	1.569	2.170
753	1.022	1.309	1.810
519	695	891	1.232
1.005	1.377	1.765	2.441
837	1.135	1.455	2.011
577	772	990	1.368
1.117	1.530	1.961	2.712
921	1.249	1.600	2.212
635	850	1.089	1.505
1.229	1.683	2.157	2.983
1.004	1.362	1.745	2.413
693	927	1.188	1.642
1.340	1.836	2.353	3.254
1.172	1.589	2.036	2.816
808	1.081	1.385	1.916
1.564	2.142	2.745	3.797
1.339	1.816	2.328	3.218
924	1.236	1.584	2.189
1.787	2.448	3.138	4.339
1.507	2.043	2.619	3.621
1.039	1.390	1.782	2.463
2.011	2.754	3.530	4.882
1.674	2.270	2.909	4.023
1.155	1.545	1.980	2.737
2.234	3.060	3.922	5.424

900			
11	21	22	33
408	559	709	982
281	380	482	662
544	753	958	1.334
510	699	887	1.228
351	476	602	827
680	942	1.198	1.667
612	838	1.064	1.473
422	570	722	993
816	1.130	1.437	2.000
714	978	1.241	1.719
492	665	843	1.159
952	1.318	1.677	2.334
816	1.117	1.419	1.964
562	760	963	1.324
1.088	1.506	1.916	2.667
917	1.257	1.597	2.210
633	856	1.084	1.490
1.224	1.695	2.156	3.001
1.019	1.397	1.774	2.455
703	951	1.204	1.655
1.360	1.883	2.395	3.334
1.121	1.536	1.950	2.700
773	1.045	1.324	1.820
1.496	2.071	2.635	3.667
1.223	1.677	2.128	2.946
844	1.141	1.445	1.986
1.632	2.260	2.874	4.001
1.427	1.956	2.483	3.438
984	1.331	1.686	2.317
1.904	2.636	3.353	4.668
1.631	2.235	2.838	3.928
1.125	1.521	1.926	2.648
2.176	3.013	3.832	5.334
1.835	2.514	3.192	4.419
1.265	1.711	2.167	2.979
2.448	3.389	4.311	6.001
2.039	2.794	3.547	4.910
1.406	1.901	2.408	3.310
2.720	3.766	4.790	6.668

## General information

### COMPACT ALL IN

With its seamless casing the Stelrad Compact All In gives your home a tidy and finished character. The safe casing has a highly aesthetic and child-friendly finish. This radiator is fully equipped and ready to install.

Product:	fully encased compact radiator
Finishing:	upper grille and side panels
Also supplied:	VDI brackets with anti-lift (type Monclac), screws, plugs, air vent, blind plug and installation instructions
Connections:	4 x 1/2" female connection
Lugs:	2 pairs of mounting lugs up to 1.600 mm and 3 pairs from 1.800 mm
Packaging:	Every radiator is sturdily packaged in high-quality cardboard and wrapped in plastic. The radiator's characteristics are shown on the label: type – height – length.
Warranty:	10 years, as long as the installation instructions have been followed and Stelrad's warranty conditions have been met.
Paint process:	All radiators are degreased, phosphated, cataphoretically primed and powder-coated in Stelrad white 9016 as standard.
Colours:	Stelrad white 9016 + 35 different Stelrad colours and about 200 RAL-colours are possible
Heat cost allocator:	Suitable for heat cost allocators, both electronic and according to the evaporation principle (covered by the norm of EN834 & EN835).
Max. operating pressure:	10 bar (tested to 13 bar)
Max. operating temperature:	110 °C
Conformity:	in accordance with EN442
Quality assurance:	NF
Types:	11   21   22   33
Heights:	300   400   500   600   700   900 mm
Lengths:	400 – 3.000 mm
Depths:	61   77   100   158 mm

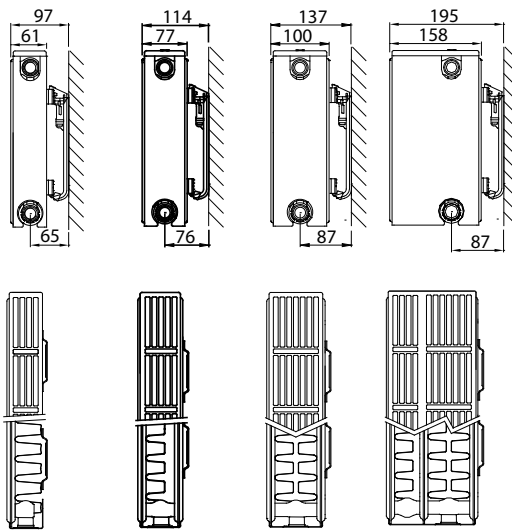


## Type overview

Calculation factor  
per meter  
at 75/65/20°C  
according to EN442

Characteristic equation:

$$\Phi = K_M \times \Delta T^n$$



Height		Type 11	Type 21	Type 22	Type 33	Centre distance
300	W	509	745	982	1.349	250
	kg	9,31	14,29	16,80	25,20	
	l	1,89	3,70	3,70	5,40	
	m <sup>2</sup>	2,09	2,44	3,51	5,26	
	n	1,32	1,33	1,33	1,31	
400	W	676	954	1.245	1.711	350
	kg	12,78	19,46	22,87	34,30	
	l	2,34	4,67	4,67	6,87	
	m <sup>2</sup>	2,95	3,37	4,92	7,38	
	n	1,31	1,33	1,33	1,32	
500	W	833	1.153	1.494	2.056	450
	kg	16,24	24,63	28,93	43,40	
	l	2,80	5,63	5,63	8,33	
	m <sup>2</sup>	3,80	4,31	6,33	9,49	
	n	1,30	1,34	1,33	1,32	
600	W	980	1.345	1.732	2.389	550
	kg	19,70	29,80	35,00	52,50	
	l	3,25	6,60	6,60	9,80	
	m <sup>2</sup>	4,66	5,24	7,74	11,61	
	n	1,29	1,34	1,33	1,32	
700	W	1.117	1.530	1.961	2.712	650
	kg	22,90	34,50	40,53	60,77	
	l	3,77	7,63	7,63	11,37	
	m <sup>2</sup>	5,51	6,18	9,15	13,72	
	n	1,29	1,34	1,34	1,34	
900	W	1.360	1.883	2.395	3.334	850
	kg	29,30	43,90	51,60	77,30	
	l	4,80	9,70	9,70	14,50	
	m <sup>2</sup>	7,22	8,05	11,97	17,96	
	n	1,29	1,34	1,35	1,37	

W=heat output per meter / kg=weight per meter / l=content per meter / m<sup>2</sup>=surface per meter / n=exponent  
The manufacturer reserves the right to alter any of the specifications shown in this document without prior notice.

## COMPACT ALL IN

Heat outputs in Watt according to EN442



**EN442 (W) 70/50/20°C**

**EN442 (W) 55/45/20°C**

**EN442 (W) 75/65/20°C**

Stelrad BV/PL 19/01/07/E013

Height	300			
	11	21	22	33
<b>400</b>	152	221	292	403
	104	151	200	276
	204	298	393	540
<b>500</b>	189	276	365	503
	129	189	249	345
	255	373	491	675
<b>600</b>	227	332	438	603
	155	227	299	414
	305	447	589	809
<b>700</b>	265	388	511	704
	181	265	349	483
	356	522	687	944
<b>800</b>	303	443	585	805
	207	302	399	552
	407	596	786	1.079
<b>900</b>	341	498	658	906
	233	340	449	621
	458	671	884	1.214
<b>1000</b>	379	554	730	1.006
	259	378	499	690
	509	745	982	1.349
<b>1100</b>	417	609	803	1.107
	285	416	548	759
	560	820	1.080	1.484
<b>1200</b>	455	664	876	1.208
	311	453	598	828
	611	894	1.178	1.619
<b>1400</b>	531	775	1.023	1.409
	363	529	698	966
	713	1.043	1.375	1.889
<b>1600</b>		886	1.169	1.610
		604	798	1.103
		1.192	1.571	2.158
<b>1800</b>		997	1.315	1.811
		680	898	1.241
		1.341	1.768	2.428
<b>2000</b>		1.107	1.461	2.012
		755	997	1.379
		1.490	1.964	2.698
<b>2200</b>		1.218	1.607	2.214
		831	1.097	1.517
		1.639	2.160	2.968
<b>2400</b>		1.329	1.753	2.415
		907	1.197	1.655
		1.788	2.357	3.238
<b>2600</b>			1.899	
			1.297	
			2.553	
<b>2800</b>			2.045	
			1.397	
			2.750	
<b>3000</b>			2.191	
			1.496	
			2.946	

400			
11	21	22	33
201	284	370	510
138	193	253	349
270	382	498	684
252	354	462	638
173	241	315	437
338	477	623	856
303	425	555	766
208	290	379	524
406	572	747	1.027
353	496	648	893
242	338	442	611
473	668	872	1.198
404	567	740	1.020
277	386	505	699
541	763	996	1.369
454	638	833	1.148
311	435	568	786
608	859	1.121	1.540
504	709	925	1.275
346	483	631	873
676	954	1.245	1.711
555	779	1.018	1.403
381	531	695	960
744	1.049	1.370	1.882
605	850	1.111	1.530
415	580	758	1.048
811	1.145	1.494	2.053
706	992	1.296	1.785
484	676	884	1.222
946	1.336	1.743	2.395
807	1.134	1.481	2.041
554	773	1.010	1.397
1.082	1.526	1.992	2.738
908	1.275	1.666	2.296
623	869	1.137	1.572
1.217	1.717	2.241	3.080
1.009	1.417	1.851	2.551
692	966	1.263	1.746
1.352	1.908	2.490	3.422
	1.559	2.036	2.806
	1.063	1.389	1.921
	2.099	2.739	3.764
	1.701	2.221	3.061
	1.159	1.515	2.095
	2.290	2.988	4.106
		2.406	
		1.642	
		3.237	
		2.591	
		1.768	
		3.486	
		2.776	
		1.894	
		3.735	

500			
11	21	22	33
249	342	444	612
171	233	303	419
333	461	598	822
311	428	555	766
214	291	378	524
417	577	747	1.028
374	514	666	919
257	350	454	629
500	692	896	1.234
436	599	777	1.072
300	408	530	733
583	807	1.046	1.439
498	684	888	1.225
343	466	605	838
666	922	1.195	1.645
561	771	999	1.378
386	525	681	943
750	1.038	1.345	1.850
623	856	1.110	1.531
428	583	757	1.047
833	1.153	1.494	2.056
685	941	1.221	1.685
471	641	832	1.152
916	1.268	1.643	2.262
748	1.027	1.332	1.838
514	700	908	1.257
1.000	1.384	1.793	2.467
872	1.198	1.554	2.144
600	816	1.059	1.466
1.166	1.614	2.092	2.878
997	1.370	1.776	2.451
686	933	1.210	1.676
1.333	1.845	2.390	3.290
1.121	1.540	1.998	2.757
771	1.049	1.362	1.886
1.499	2.075	2.689	3.701
1.246	1.712	2.220	3.063
857	1.166	1.513	2.095
1.666	2.306	2.988	4.112
1.371	1.883	2.442	3.369
943	1.283	1.665	2.304
1.833	2.537	3.287	4.523
1.495	2.054	2.664	3.675
1.028	1.399	1.816	2.514
1.999	2.767	3.586	4.934
		2.885	
		1.967	
		3.884	
		3.108	
		2.118	
		4.183	
		3.330	
		2.270	
		4.482	

Core assortment (Stelrad white 9016) available ex factory within 10 days.  
 Core assortment is subject to change, please refer to [www.stelrad.eu](http://www.stelrad.eu) for the latest information.  
 Delivery time depends on the model, please refer to your distributor.

# COMPACT ALL IN

On the label:  
 COMPACT ALL IN T11-33: 0214



Art. 0214 09 22 04

Height	600			
Type	11	21	22	33
<b>400</b>	294	399	515	712
	203	272	350	486
	392	538	693	956
<b>500</b>	367	499	643	889
	253	339	438	607
	490	673	866	1.195
<b>600</b>	441	599	771	1.067
	304	407	525	729
	588	807	1.039	1.433
<b>700</b>	514	699	900	1.244
	355	476	613	850
	686	942	1.212	1.672
<b>800</b>	588	798	1.029	1.422
	405	543	701	972
	784	1.076	1.386	1.911
<b>900</b>	661	898	1.157	1.600
	456	611	788	1.094
	882	1.211	1.559	2.150
<b>1000</b>	735	998	1.286	1.778
	507	679	876	1.215
	980	1.345	1.732	2.389
<b>1100</b>	808	1.098	1.414	1.956
	557	747	963	1.337
	1.078	1.480	1.905	2.628
<b>1200</b>	881	1.197	1.543	2.134
	608	815	1.051	1.458
	1.176	1.614	2.078	2.867
<b>1400</b>	1.028	1.397	1.800	2.490
	709	951	1.226	1.701
	1.372	1.883	2.425	3.345
<b>1600</b>	1.175	1.596	2.057	2.845
	810	1.086	1.401	1.944
	1.568	2.152	2.771	3.822
<b>1800</b>	1.322	1.796	2.315	3.200
	912	1.222	1.577	2.187
	1.764	2.421	3.118	4.300
<b>2000</b>	1.469	1.996	2.572	3.556
	1.013	1.358	1.752	2.430
	1.960	2.690	3.464	4.778
<b>2200</b>	1.616	2.195	2.829	3.912
	1.114	1.494	1.927	2.673
	2.156	2.959	3.810	5.256
<b>2400</b>	1.763	2.395	3.086	4.268
	1.216	1.630	2.102	2.917
	2.352	3.228	4.157	5.734
<b>2600</b>			3.343	
			2.277	
<b>2800</b>			4.503	
			3.601	
<b>3000</b>			2.453	
			4.850	
			3.858	
		2.628		
		5.196		

700			
11	21	22	33
335	454	582	805
231	309	396	547
447	612	784	1.085
418	568	727	1.006
288	386	495	684
559	765	981	1.356
502	681	873	1.207
346	463	594	821
670	918	1.177	1.627
586	795	1.018	1.408
404	541	693	958
782	1.071	1.373	1.898
670	908	1.164	1.609
462	618	792	1.095
894	1.224	1.569	2.170
753	1.022	1.309	1.810
519	695	891	1.232
1.005	1.377	1.765	2.441
837	1.135	1.455	2.011
577	772	990	1.368
1.117	1.530	1.961	2.712
921	1.249	1.600	2.212
635	850	1.089	1.505
1.229	1.683	2.157	2.983
1.004	1.362	1.745	2.413
693	927	1.188	1.642
1.340	1.836	2.353	3.254
1.172	1.589	2.036	2.816
808	1.081	1.385	1.916
1.564	2.142	2.745	3.797
1.339	1.816	2.328	3.218
924	1.236	1.584	2.189
1.787	2.448	3.138	4.339
1.507	2.043	2.619	3.621
1.039	1.390	1.782	2.463
2.011	2.754	3.530	4.882
1.674	2.270	2.909	4.023
1.155	1.545	1.980	2.737
2.234	3.060	3.922	5.424

900			
11	21	22	33
408	559	709	982
281	380	482	662
544	753	958	1.334
510	699	887	1.228
351	476	602	827
680	942	1.198	1.667
612	838	1.064	1.473
422	570	722	993
816	1.130	1.437	2.000
714	978	1.241	1.719
492	665	843	1.159
952	1.318	1.677	2.334
816	1.117	1.419	1.964
562	760	963	1.324
1.088	1.506	1.916	2.667
917	1.257	1.597	2.210
633	856	1.084	1.490
1.224	1.695	2.156	3.001
1.019	1.397	1.774	2.455
703	951	1.204	1.655
1.360	1.883	2.395	3.334
1.121	1.536	1.950	2.700
773	1.045	1.324	1.820
1.496	2.071	2.635	3.667
1.223	1.677	2.128	2.946
844	1.141	1.445	1.986
1.632	2.260	2.874	4.001
1.427	1.956	2.483	3.438
984	1.331	1.686	2.317
1.904	2.636	3.353	4.668
1.631	2.235	2.838	3.928
1.125	1.521	1.926	2.648
2.176	3.013	3.832	5.334
1.835	2.514	3.192	4.419
1.265	1.711	2.167	2.979
2.448	3.389	4.311	6.001
2.039	2.794	3.547	4.910
1.406	1.901	2.408	3.310
2.720	3.766	4.790	6.668

## General information

### ACCORD ALL IN

The Accord All In radiator is a panel radiator without upper grille or side panels, made from high-quality steel. A classic icon.

Product:	a classic panel radiator
Finishing:	without upper grille or side panels
Also supplied:	L-brackets, screws, plugs, blind plug, air vent and installation instructions
Connections:	4 x ½" female connection
Lugs:	2 pairs of mounting lugs up to 1.600 mm and 3 pairs from 1.800 mm
Packaging:	Every radiator is sturdily packaged in high-quality cardboard and wrapped in plastic. The radiator's characteristics are shown on the label: type – height – length.
Warranty:	10 years, as long as the installation instructions have been followed and Stelrad's warranty conditions have been met.
Paint process:	All radiators are degreased, phosphated, cathodically primed and powder-coated in Stelrad white 9016 as standard.
Colours:	Stelrad white 9016 + 35 different Stelrad colours and about 200 RAL-colours are possible
Heat cost allocator:	Suitable for heat cost allocators, both electronic and according to the evaporation principle (covered by the norm of EN834 & EN835).
Max. operating pressure:	10 bar (tested to 13 bar)
Max. operating temperature:	110 °C
Conformity:	in accordance with EN442
Quality assurance:	NF
Types:	11   21   22   33
Heights:	300   400   500   600   700   900 mm
Lengths:	400 – 3.000 mm
Depths:	60   77   100   158 mm



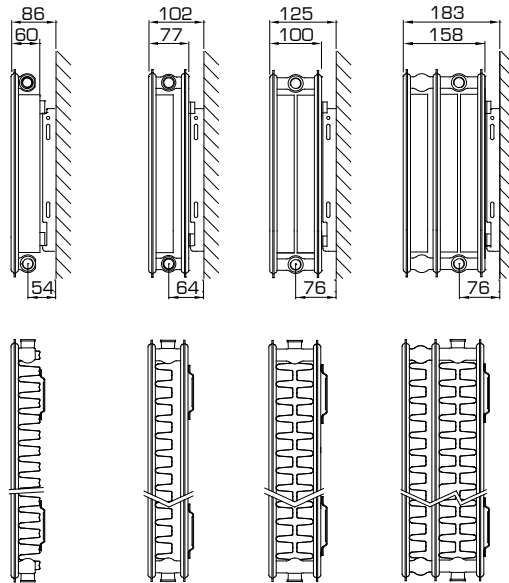


## Type overview

Calculation factor  
per meter  
at 75/65/20°C  
according to EN442

Characteristic equation:

$$\Phi = K_M \times \Delta T^n$$



Height		Type 11	Type 21	Type 22	Type 33	Centre distance
300	W	517	776	1.012	1.418	250
	kg	8,38	13,71	15,90	23,80	
	l	1,89	3,70	3,70	5,40	
	m <sup>2</sup>	2,09	2,44	3,51	5,26	
	n	1,31	1,33	1,33	1,32	
400	W	687	1.000	1.281	1.805	350
	kg	11,68	18,78	21,83	32,67	
	l	2,34	4,67	4,67	6,87	
	m <sup>2</sup>	2,95	3,37	4,92	7,38	
	n	1,31	1,33	1,33	1,33	
500	W	848	1.210	1.535	2.169	450
	kg	14,99	23,84	27,77	41,53	
	l	2,80	5,63	5,63	8,33	
	m <sup>2</sup>	3,80	4,31	6,33	9,49	
	n	1,30	1,33	1,33	1,34	
600	W	1.000	1.409	1.778	2.514	550
	kg	18,30	28,90	33,70	50,40	
	l	3,25	6,60	6,60	9,80	
	m <sup>2</sup>	4,66	5,24	7,74	11,61	
	n	1,29	1,33	1,33	1,35	
700	W	1.142	1.597	2.011	2.841	650
	kg	21,33	33,50	39,13	58,47	
	l	3,77	7,63	7,63	11,37	
	m <sup>2</sup>	5,51	6,18	9,15	13,72	
	n	1,29	1,34	1,34	1,35	
900	W	1.397	1.941	2.453	3.448	850
	kg	27,40	42,70	50,00	74,60	
	l	4,80	9,70	9,70	14,50	
	m <sup>2</sup>	7,22	8,05	11,97	17,96	
	n	1,29	1,36	1,35	1,37	

W=heat output per meter / kg=weight per meter / l=content per meter / m<sup>2</sup>=surface per meter / n=exponent  
The manufacturer reserves the right to alter any of the specifications shown in this document without prior notice.

## ACCORD ALL IN

Heat outputs in Watt according to EN442



**EN442 (W) 70/50/20°C**

**EN442 (W) 55/45/20°C**

**EN442 (W) 75/65/20°C**

Stelrad\_BV/PL 19/01/07/E013

Height	300			
Type	11	21	22	33
<b>400</b>	154	230	301	423
	106	157	205	290
	207	310	405	567
<b>500</b>	192	288	376	529
	132	197	256	362
	259	388	506	709
<b>600</b>	231	346	451	635
	158	236	307	435
	310	466	607	851
<b>700</b>	270	404	526	740
	185	275	358	507
	362	543	708	993
<b>800</b>	309	462	602	846
	212	315	410	579
	414	621	810	1.134
<b>900</b>	347	519	677	951
	238	354	461	652
	465	698	911	1.276
<b>1000</b>	386	577	752	1.057
	264	394	512	724
	517	776	1.012	1.418
<b>1100</b>	424	635	827	1.163
	291	433	563	797
	569	854	1.113	1.560
<b>1200</b>	462	692	902	1.269
	317	472	614	869
	620	931	1.214	1.702
<b>1400</b>	540	807	1.052	1.480
	370	551	717	1.014
	724	1.086	1.417	1.985
<b>1600</b>		923	1.202	1.692
		630	819	1.159
		1.242	1.619	2.269
<b>1800</b>		1.038	1.353	1.903
		709	922	1.303
		1.397	1.822	2.552
<b>2000</b>		1.154	1.503	2.115
		787	1.024	1.448
		1.552	2.024	2.836
<b>2200</b>		1.269	1.653	2.326
		866	1.127	1.593
		1.707	2.226	3.120
<b>2400</b>		1.384	1.804	2.537
		944	1.229	1.738
		1.862	2.429	3.403
<b>2600</b>			1.954	
			1.332	
			2.631	
<b>2800</b>			2.105	
			1.434	
			2.834	
<b>3000</b>			2.255	
			1.537	
			3.036	

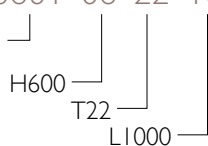
400			
11	21	22	33
205	297	380	537
141	203	259	367
275	400	512	722
257	372	475	671
177	254	324	458
344	500	641	903
308	446	571	806
211	304	389	550
412	600	769	1.083
359	520	666	940
247	355	454	642
481	700	897	1.264
411	595	761	1.074
282	406	519	733
550	800	1.025	1.444
462	669	857	1.208
317	457	584	825
618	900	1.153	1.625
513	743	952	1.343
353	507	649	917
687	1.000	1.281	1.805
565	818	1.047	1.477
388	558	713	1.009
756	1.100	1.409	1.986
616	892	1.142	1.611
423	609	778	1.100
824	1.200	1.537	2.166
719	1.041	1.332	1.880
494	710	908	1.284
962	1.400	1.793	2.527
821	1.190	1.523	2.148
564	812	1.038	1.467
1.099	1.600	2.050	2.888
924	1.338	1.713	2.417
635	913	1.168	1.650
1.237	1.800	2.306	3.249
1.027	1.487	1.903	2.685
705	1.015	1.297	1.834
1.374	2.000	2.562	3.610
	1.636	2.093	2.954
	1.116	1.427	2.017
	2.200	2.818	3.971
	1.784	2.284	3.222
	1.218	1.557	2.200
	2.400	3.074	4.332
		2.474	
		1.687	
		3.331	
		2.665	
		1.816	
		3.587	
		2.855	
		1.946	
		3.843	

500			
11	21	22	33
254	360	456	644
175	246	311	439
339	484	614	868
317	450	571	804
219	307	389	548
424	605	768	1.085
381	540	684	965
262	368	467	657
509	726	921	1.301
445	630	798	1.127
306	430	544	767
594	847	1.075	1.518
508	720	912	1.288
350	491	622	877
678	968	1.228	1.735
571	810	1.027	1.449
393	553	700	986
763	1.089	1.382	1.952
635	900	1.140	1.610
437	614	778	1.096
848	1.210	1.535	2.169
699	990	1.254	1.771
481	675	855	1.205
933	1.331	1.689	2.386
762	1.080	1.369	1.932
525	737	933	1.315
1.018	1.452	1.842	2.603
889	1.260	1.597	2.254
612	860	1.089	1.534
1.187	1.694	2.149	3.037
1.016	1.440	1.825	2.575
700	983	1.244	1.753
1.357	1.936	2.456	3.470
1.143	1.619	2.053	2.897
787	1.105	1.400	1.972
1.526	2.178	2.763	3.904
1.270	1.799	2.281	3.219
874	1.228	1.555	2.192
1.696	2.420	3.070	4.338
1.397	1.979	2.509	3.541
962	1.351	1.711	2.411
1.866	2.662	3.377	4.772
1.524	2.159	2.737	3.863
1.049	1.474	1.866	2.630
2.035	2.904	3.684	5.206
		2.965	
		2.022	
		3.991	
		3.193	
		2.177	
		4.298	
		3.421	
		2.333	
		4.605	

Core assortment (Stelrad white 9016) available ex factory within 10 days.  
 Core assortment is subject to change, please refer to [www.stelrad.eu](http://www.stelrad.eu) for the latest information.  
 Delivery time depends on the model, please refer to your distributor.

# ACCORD ALL IN

On the label: Art. 0601 06 22 10  
 4-CONNECTIONS NAKED ALL IN T11-33: 0601



Height	600			
	11	21	22	33
<b>400</b>	300	419	528	745
	207	286	360	505
	400	564	711	1.006
<b>500</b>	375	524	661	931
	259	357	451	632
	500	705	889	1.257
<b>600</b>	450	628	793	1.116
	311	429	541	758
	600	845	1.067	1.508
<b>700</b>	525	733	925	1.303
	363	501	631	884
	700	986	1.245	1.760
<b>800</b>	600	838	1.057	1.489
	414	572	721	1.010
	800	1.127	1.422	2.011
<b>900</b>	675	943	1.189	1.675
	466	644	811	1.137
	900	1.268	1.600	2.263
<b>1000</b>	750	1.048	1.321	1.861
	518	715	901	1.263
	1.000	1.409	1.778	2.514
<b>1100</b>	825	1.153	1.454	2.047
	570	787	991	1.389
	1.100	1.550	1.956	2.765
<b>1200</b>	900	1.258	1.586	2.234
	621	858	1.081	1.516
	1.200	1.691	2.134	3.017
<b>1400</b>	1.050	1.467	1.850	2.606
	725	1.002	1.261	1.769
	1.400	1.973	2.489	3.520
<b>1600</b>	1.200	1.676	2.114	2.978
	829	1.144	1.442	2.021
	1.600	2.254	2.845	4.022
<b>1800</b>	1.350	1.886	2.378	3.350
	932	1.287	1.622	2.274
	1.800	2.536	3.200	4.525
<b>2000</b>	1.500	2.096	2.642	3.722
	1.036	1.431	1.802	2.526
	2.000	2.818	3.556	5.028
<b>2200</b>	1.650	2.305	2.907	4.095
	1.139	1.574	1.982	2.779
	2.200	3.100	3.912	5.531
<b>2400</b>	1.800	2.515	3.171	4.467
	1.243	1.717	2.162	3.032
	2.400	3.382	4.267	6.034
<b>2600</b>			3.435	
			2.343	
			4.623	
<b>2800</b>			3.699	
			2.523	
			4.978	
<b>3000</b>			3.964	
			2.703	
			5.334	

700			
11	21	22	33
343	474	597	840
237	323	406	569
457	639	804	1.136
428	592	747	1.050
296	403	508	711
571	799	1.006	1.421
514	711	896	1.260
355	484	610	854
685	958	1.207	1.705
599	830	1.045	1.470
414	565	711	996
799	1.118	1.408	1.989
686	948	1.194	1.680
473	646	813	1.138
914	1.278	1.609	2.273
771	1.066	1.343	1.890
532	726	914	1.280
1.028	1.437	1.810	2.557
857	1.185	1.492	2.100
591	807	1.016	1.422
1.142	1.597	2.011	2.841
942	1.304	1.641	2.310
650	888	1.117	1.564
1.256	1.757	2.212	3.125
1.028	1.422	1.791	2.520
709	968	1.219	1.707
1.370	1.916	2.413	3.409
1.199	1.659	2.089	2.940
828	1.130	1.422	1.991
1.599	2.236	2.815	3.977
1.370	1.896	2.388	3.360
946	1.291	1.626	2.276
1.827	2.555	3.218	4.546
1.542	2.134	2.686	3.780
1.064	1.452	1.829	2.560
2.056	2.875	3.620	5.114
1.713	2.370	2.985	4.200
1.182	1.614	2.032	2.845
2.284	3.194	4.022	5.682

900			
11	21	22	33
419	573	726	1.016
289	388	492	685
559	776	981	1.379
523	717	907	1.270
361	485	615	857
699	971	1.227	1.724
628	861	1.089	1.524
433	583	739	1.028
838	1.165	1.472	2.069
733	1.004	1.271	1.779
506	680	862	1.200
978	1.359	1.717	2.414
838	1.148	1.452	2.032
578	777	985	1.371
1.118	1.553	1.962	2.758
942	1.291	1.634	2.286
650	874	1.108	1.542
1.257	1.747	2.208	3.103
1.047	1.434	1.815	2.540
723	971	1.231	1.713
1.397	1.941	2.453	3.448
1.152	1.578	1.997	2.795
795	1.068	1.354	1.885
1.537	2.135	2.698	3.793
1.257	1.721	2.179	3.049
867	1.165	1.478	2.056
1.676	2.329	2.944	4.138
1.467	2.008	2.541	3.556
1.012	1.359	1.724	2.399
1.956	2.717	3.434	4.827
1.676	2.295	2.904	4.065
1.156	1.554	1.970	2.742
2.235	3.106	3.925	5.517
1.886	2.582	3.267	4.572
1.301	1.748	2.216	3.084
2.515	3.494	4.415	6.206
2.095	2.869	3.630	5.081
1.445	1.942	2.462	3.427
2.794	3.882	4.906	6.886

## General information

### VERTEX PLAN E

The Vertex Plan E combines the advantages of a vertical electric radiator with a sleek and decorative appearance. With its space-saving design, it is very useful in small spaces and with its flat front it stands out in the most beautiful interiors.

Product:	decorative electrical vertical panel radiator with a flat front
Pre-installed:	prefilled with heating liquid. RF receiver mounted including 0,8 m of insulated cable with power plug.
Also supplied:	wall brackets, ETA safety screws and plugs, screws, plugs, installation instructions and RF thermostat
Lugs:	no lugs
Packaging:	Every radiator is sturdily packaged in high-quality cardboard and wrapped in plastic. The radiator's characteristics are shown on the label: Electric power – height – length.
Warranty:	10 years for the radiator and 2 years for the electrical components, as long as the installation instructions have been followed and Stelrad's warranty conditions have been met.
Paint process:	All radiators are degreased, phosphated, primed and powder-coated in Stelrad white 9016 as standard.
Colours:	Stelrad white 9016 + 35 different Stelrad colours and about 200 RAL-colours are possible
Conformity:	EcoDesign 2018 (EU Regulation 2015/1188)
Technical data:	Voltage 220-240V ~50Hz, IPX4, Class II
Type:	II
Height:	1.800 mm
Lengths:	500   600   700 mm
Output:	1.250   1.500   1.750 watt

H1800			
Length	L 500	L 600	L 700
W	1.250W	1.500W	1.750W
Art.N°	0275A181105	0275A181106	0275A181107



RF-Thermostat

**ECODESIGN**  
2018 COMPLIANT



### Intelligent RF Thermostat

Temperature setting:	Adjustable from + 10 °C to + 30 °C
4 possible operating modes:	Auto (programming), Comfort, Eco, Frost protection
General usage:	Choice of 2 application types:

#### Living room

7-day program: programming switches between Comfort and Eco. One temperature for Comfort and one for Eco can be set, with a maximum adjustable difference of 5 °C between the two.

Super Comfort function: the temperature is increased by 2 °C, adjustable from 20 to 120 minutes. Manually or via weekly program.

#### Bathroom

7-day program: programming switches between Comfort and Boost. The Boost can be programmed up to twice a day. Boost: the radiator delivers full power for a maximum of 60 minutes or until a maximum set ambient temperature is reached.

Open window detection: Automatic switch to frost protection mode when a significant temperature drop is detected.

Child safety: The control panel can be locked.

Control: Connection to the radiator is quick and easy. Can control multiple radiators.

Ergonomic: backlit display, adjustment is simple and intuitive.

## General information

### VERTEX E

The Vertex E is the electric version of our Vertex vertical radiator. It saves space due to its vertical design and only needs a socket to quickly achieve a high heat output.

Product:	electrical vertical panel radiator
Pre-installed:	prefilled with heating liquid. RF receiver mounted including 0,8 m of insulated cable with power plug.
Also supplied:	wall brackets, ETA safety screws and plugs, screws, plugs, installation instructions and RF thermostat
Lugs:	no lugs
Packaging:	Every radiator is sturdily packaged in high-quality cardboard and wrapped in plastic. The radiator's characteristics are shown on the label: Electric power – height – length.
Warranty:	10 years for the radiator and 2 years for the electrical components, as long as the installation instructions have been followed and Stelrad's warranty conditions have been met.
Paint process:	All radiators are degreased, phosphated, primed and powder-coated in Stelrad white 9016 as standard.
Colours:	Stelrad white 9016 + 35 different Stelrad colours and about 200 RAL-colours are possible
Conformity:	EcoDesign 2018 (EU Regulation 2015/1188)
Technical data:	Voltage 220-240V ~50Hz, IPX4, Class II
Type:	II
Height:	1.800 mm
Lengths:	500   600   700 mm
Output:	1.250   1.500   1.750 watt

H1800			
Length	L 500	L 600	L 700
W	1.250W	1.500W	1.750W
Art.N°	0274A181105	0274A181106	0274A181107



RF-Thermostat

**ECODESIGN**  
2018 COMPLIANT



### Intelligent RF Thermostat

Temperature setting:	Adjustable from + 10 °C to + 30 °C
4 possible operating modes:	Auto (programming), Comfort, Eco, Frost protection
General usage:	Choice of 2 application types: <u>Living room</u> 7-day program: programming switches between Comfort and Eco. One temperature for Comfort and one for Eco can be set, with a maximum adjustable difference of 5 °C between the two. Super Comfort function: the temperature is increased by 2 °C, adjustable from 20 to 120 minutes. Manually or via weekly program. <u>Bathroom</u> 7-day program: programming switches between Comfort and Boost. The Boost can be programmed up to twice a day. Boost: the radiator delivers full power for a maximum of 60 minutes or until a maximum set ambient temperature is reached.
Open window detection:	Automatic switch to frost protection mode when a significant temperature drop is detected.
Child safety:	The control panel can be locked.
Control:	Connection to the radiator is quick and easy. Can control multiple radiators. Ergonomic: backlit display, adjustment is simple and intuitive.

## Mounting and installation

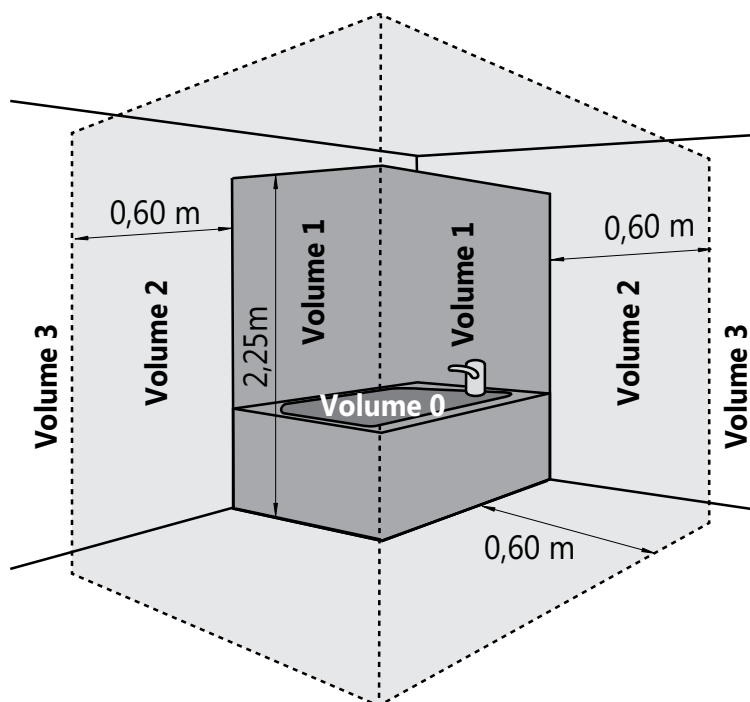
Since our electrical radiators are class II heaters with an IPX4 protection rating, they can be installed as such, in volume 2 or 3 of the bathroom (see figure), provided that they are shielded from water splashes, that the radiators are out reach of persons in the bath or under the shower.

Furthermore, when installed in volume 2, the radiator must additionally be shielded by means of a fixed wall. The battery operated thermostat should be positioned in volume 3 and out of water splash range (IP20). The radiator must be installed with the heating element vertically and the electrical wire in the lower section. It is prohibited to install the device with the electrical wire in the upper section or with the heating element horizontally. A radiator with wall socket should be plugged in a wall socket placed in volume 3.

The appliance is insulated according to class II and is therefore not earthed. It needs to be powered by a single-phased current of 230V~50Hz.

Please connect the 3 main wires as follows:

- brown wire = phase;
- blue wire = neutral,
- black wire = control wire.



### ATTENTION:

The control wire must be insulated if not in use. Malfunctioning control units need to be replaced by an identical model after consulting your wholesaler. When replacing the control unit by a different model, both warranty and conformity with the safety regulations will be void.

## Mounting and installation

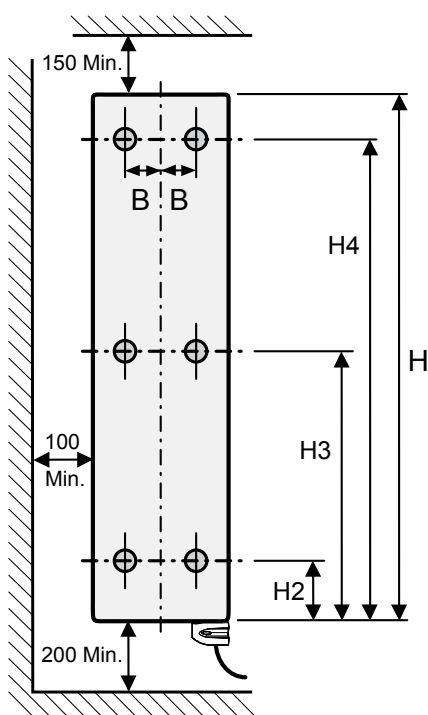
The radiator must be installed with the heating element vertical and the electrical wire in the lower section.

It is prohibited to install the device with the control box in the upper section or with the heating element horizontal.

The device is class II insulated and, therefore, it cannot be earthed.

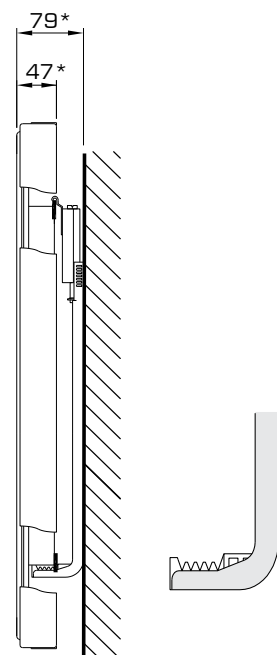
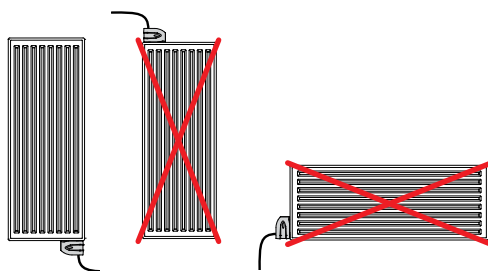
The device should be powered by a single-phase current of 220-240V ~ 50 Hz.

### Vertex Plan E · Vertex E



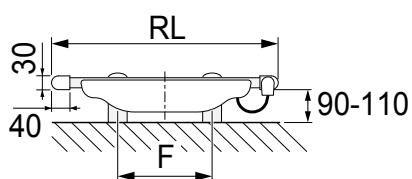
Length	B
L 500	130
L 600	180
L 700	230

Height	H2	H3	H4
<b>1800</b>	160	830	1500



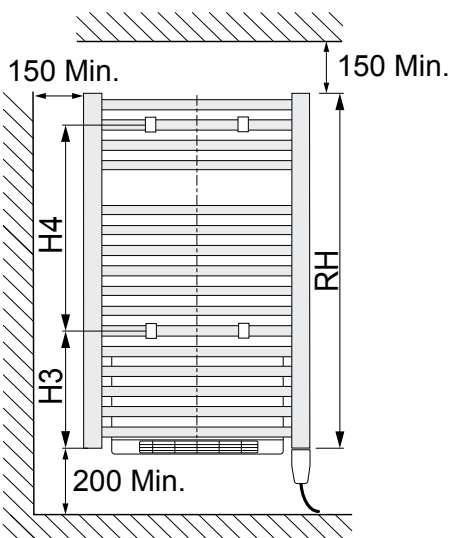
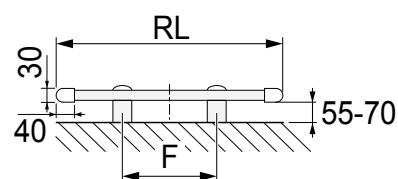
\*Vertex Plan E: +2 mm

### Dahlia E-VENTO

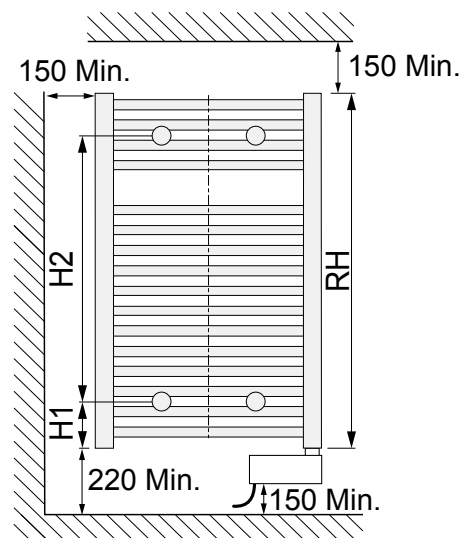
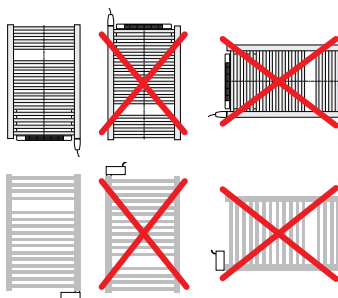


RL	F
400	225
450	275
495	320
585	410

### Dahlia E



RH	H1	H2	H3	H4
775	102	582	255	450
1181	102	988	255	856
1411	102	1218	255	1068
1763	102	1570	255	1438



## General information

### DAHLIA E-VENTO

The Dahlia E-VENTO is an electric radiator with integrated blower unit that provides extra heat emission (950 watts). After the simple assembly and insertion of the plug, the radiator is ready for use and you can enjoy a pleasant heat within a few minutes.

Product:	Electrical classic bathroom radiator with integrated blower unit
Pre-installed:	Pre-filled with heating fluid. Equipped with thermostat, 950 Watt PTC blower and 1,2m insulated cable with plug.
Also supplied:	Brackets, screws, plugs and manual.
Control:	Control via integrated thermostat with automatic self-learning weekly programming, open window detection, presence detection and boost function. RF receiver for optional remote control.
Packaging:	Every radiator is sturdily packaged in high-quality cardboard and wrapped in plastic. The radiator's characteristics are shown on the label: type – height – length.
Warranty:	10 years for the radiator and 2 years for the electrical components, as long as the installation instructions have been followed, Stelrad's warranty conditions have been met and the radiator is installed outside the splash area.
Paint process:	All radiators are degreased, phosphated, primed and powder-coated in Stelrad white 9016 as standard.
Colours:	Stelrad white 9016 + 35 different Stelrad colours and about 200 RAL-colours are possible
Conformity:	EcoDesign 2018 (EU Regulation 2015/1188)
Technical data:	Voltage 220-240V ~50Hz, IPX4, Class II
Heights:	775   1.181   1.411   1.763 mm
Number of tubes:	16   24   28   36
Lengths:	495   585 mm
Heat outputs:	1.350   1.550   1.650   1.850   1.950 watt
Tubes:	horizontal, O-section, diameter of 22 mm

Length		495	585
H775	W		1.350W
	Tubes		16
H1181	W	1.550W	1.650W
	Tubes	24	24
H1411	W	1.650W	1.850W
	Tubes	28	28
H1763	W	1.950W	1.950W
	Tubes	36	36



Art.  
T5003

**ECODESIGN**  
2018 COMPLIANT



### Intelligent Thermostat

- Electronic PID control with microprocessor.
- Ergonomic: backlit display which is easy and intuitive to set.
- 6 Different factory presets: Auto / Comfort / Eco / Boost / Frost protection / Standby
- 7 Day program: possibility to assign 1 of 5 different profiles to each day.
- Energy consumption indicator on display.
- Open window detection: automatically switching to frost protection mode when the device detects a significant drop in temperature.
- Self-learning function: the device can get to know your needs and adjust its programs to you by means of presence detection.
- Boost: adjustable between 5 and 90 minutes in 5 minute intervals.
- A safety feature prevents the room temperature from getting too high (Boost mode).
- Child anti-tamper: the control panel can be locked.
- Active memory: permanent backup of the settings, date and time up to 16 hours.
- Sound signal when changing between standby and active mode.
- Radio frequency remote control (optional).



## General information

### DAHLIA E

With the electrical version of the Dahlia radiator a new era is upon us. Nowadays alternative energy sources also get more interest next to the traditional hydraulic heating. The Dahlia E is Stelrad's answer to this evolution.

Product:	Electrical classic bathroom radiator
Pre-installed:	Prefilled with heating liquid and including mounted thermostat. Available as a version with 0,8 m insulated cable without plug and as a version with 1,2 m insulated cable with plug.
Also supplied:	Brackets, screws, plugs and manual
Control:	Operated via integrated thermostat with weekly programming, open window detection and boost function. IR receiver for the optional remote control.
Packaging:	Every radiator is sturdily packaged in high-quality cardboard and wrapped in plastic. The radiator's characteristics are shown on the label: type – height – length.
Warranty:	10 years for the radiator and 2 years for the electrical components, as long as the installation instructions have been followed, Stelrad's warranty conditions have been met and the radiator is installed outside the splash area.
Paint process:	All radiators are degreased, phosphated, primed and powder-coated in Stelrad white 9016 as standard.
Colours:	Stelrad white 9016 + 35 different Stelrad colours and about 200 RAL-colours are possible
Conformity:	EcoDesign 2018 (EU Regulation 2015/1188)
Technical data:	Voltage 230V ~50Hz, IP44, Class II.
Heights:	775   1.181   1.411   1.763 mm
Number of tubes:	16   24   28   36
Lengths:	400   450   495   585 mm
Heat outputs:	400   500   600   700   900   1.000 watt
Tubes:	horizontal, O-section, diameter of 22 mm

Length		400	450	495	585
H775	W				400W
	Tubes				16
	Art.N°				0184A0002 0184C0002
H1181	W	400W	500W	600W	700W
	Tubes	24	24	24	24
	Art.N°	0184A0016 0184C0016	0184A0017 0184C0017	0184A0004 0184C0004	0184A0005 0184C0005
H1411	W	500W	600W	700W	900W
	Tubes	28	28	28	28
	Art.N°	0184A0018 0184C0018	0184A0019 0184C0019	0184A0010 0184C0010	0184A0011 0184C0011
H1763	W			1.000W	1.000W
	Tubes			36	36
	Art.N°			0184A0007 0184C0007	0184A0008 0184C0008



Art.  
T5001

optional  
IR remote control



**ECODESIGN**  
2018 COMPLIANT



### Intelligent Thermostat

- Electronic PID control with microprocessor.
- A safety feature prevents the room temperature from getting too high (Boost mode).
- Sound signal when changing between standby and active mode.
- Ergonomic: backlit display which is easy and intuitive to set.
- Boost: adjustable between 5 and 90 minutes.
- Infrared remote control (optional): supplied with a wall mount.
- Energy consumption indicator: in kWh
- Open window detection: automatically switching to frost protection mode when the device detects a significant drop in temperature.
- 7 Day program: possibility to assign 5 different profiles to each day.
- 6 Different factory presets: Auto / Comfort / Eco / Boost / Frost protection / Standby
- Child anti-tamper: the control panel can be locked.
- Active memory: permanent backup of the settings, date and time up to 3 hours.

# BATHROOM RANGE

## General information



**EN442 (W) 70/50/20°C**

**EN442 (W) 55/45/20°C**

**EN442 (W) 75/65/20°C**

### DAHLIA | DAHLIA CT

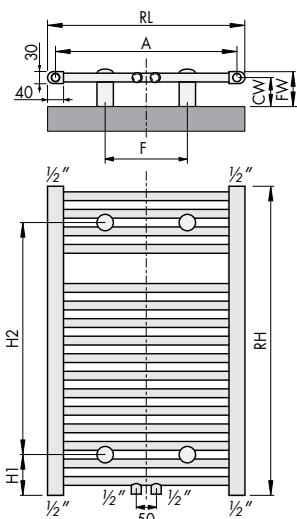
The Dahlia is a traditional bathroom radiator that retains the timeless character of the bathroom with its simplicity and symmetry of straight, round tubes and D-shaped collectors. This radiator can also be used as a partition wall to create separate areas. Also available with a centre connection.

- Product:** the classic bathroom radiator, also available with a centre connection
- Also supplied:** 4 wall brackets, screws, plugs, air vent, blind plugs and installation instructions
- Connections:** 4 x 1/2" female connection (6 x 1/2" if with centre connection)
- Packaging:** Every radiator is sturdily packaged in high-quality cardboard and wrapped in plastic. The radiator's characteristics are shown on the label: type – height – length.
- Warranty:** 10 years, as long as the installation instructions have been followed, Stelrad's warranty conditions have been met and the radiator is installed outside the splash area.
- Paint process:** All radiators are degreased, phosphated and powder-coated in Stelrad white 9016 as standard.
- Colours:** Stelrad white 9016 + 35 different Stelrad colours and about 200 RAL-colours are possible

- Max. operating pressure:** 10 bar (tested to 13 bar)
- Max. operating temperature:** 95 °C
- Conformity:** in accordance with EN442
- Heights:** 775 | 1.181 | 1.411 | 1.763 | 1.993 mm
- Number of tubes:** 16 | 24 | 28 | 36 | 40
- Lengths:** 400 | 450 | 495 | 585 | 737 mm
- Tubes:** horizontal, O-section, diameter 22 mm
- Collector:** vertical, D-section

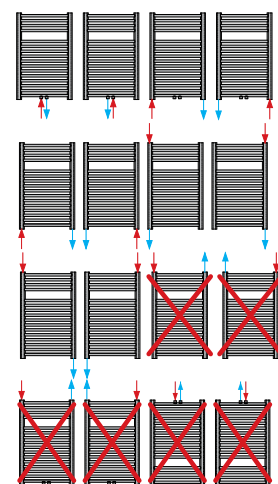


Length	400	450	495	585	737	
<b>H775</b>	VV		278	321	393	
	VW		194	223	274	
	WW		367	425	520	
	kg		5,40	6,10	7,20	
	l		3,60	4,00	4,70	
	m <sup>2</sup>		0,64	0,74	0,91	
	n		1,25	1,26	1,25	
Tubes		16	16	16		
Art.N°		01840001	01840002	01840003	01840004	
CT		01840101	01840102	01840103	01840104	
<b>H1181</b>	VV	336	375	409	474	581
	VW	234	261	285	330	406
	WW	445	496	541	627	768
	kg	6,80	7,43	8,00	9,10	10,80
	l	4,65	5,04	5,40	6,00	7,10
	m <sup>2</sup>	0,81	0,90	0,97	1,12	1,37
	n	1,26	1,26	1,26	1,25	1,25
Tubes	24	24	24	24	24	
Art.N°	01840016	01840017	01840004	01840005	01840006	
CT	01840116	01840117	01840104	01840105	01840106	
<b>H1411</b>	VV	400	446	486	563	691
	VW	279	310	338	392	482
	WW	529	590	644	746	914
	kg	7,65	8,68	9,40	10,70	12,70
	l	5,52	5,90	6,40	7,20	8,50
	m <sup>2</sup>	0,96	1,05	1,14	1,31	1,61
	n	1,25	1,26	1,26	1,26	1,25
Tubes	28	28	28	28	28	
Art.N°	01840018	01840019	01840010	01840011	01840012	
CT	01840118	01840119	01840110	01840111	01840112	
<b>H1763</b>	VV		608	704	864	
	VW		422	489	601	
	WW		807	934	1.145	
	kg		11,90	13,60	16,10	
	l		8,00	9,00	10,60	
	m <sup>2</sup>		1,45	1,68	2,06	
	n		1,27	1,27	1,26	
Tubes		36	36	36		
Art.N°		01840007	01840008	01840009		
CT		01840107	01840108	01840109		
<b>H1993</b>	VV		695	806	989	
	VW		486	564	693	
	WW		918	1.064	1.303	
	kg		13,40	15,20	18,00	
	l		9,20	10,30	12,30	
	m <sup>2</sup>		1,62	1,87	2,29	
	n		1,25	1,24	1,24	
Tubes		40	40	40		
Art.N°		01840013	01840014	01840015		
CT		01840113	01840114	01840115		



RH	H1	H2
775	102	582
1181	102	988
1411	102	1218
1763	102	1570
1993	102	1800

RL	A	F	CW	FW
400	360	225	70-85	85-100
450	410	275	70-85	85-100
495	455	320	70-85	85-100
585	545	410	70-85	85-100
737	697	560	70-85	85-100



## General information



**EN442 (W) 70/50/20°C**

**EN442 (W) 55/45/20°C**

**EN442 (W) 75/65/20°C**

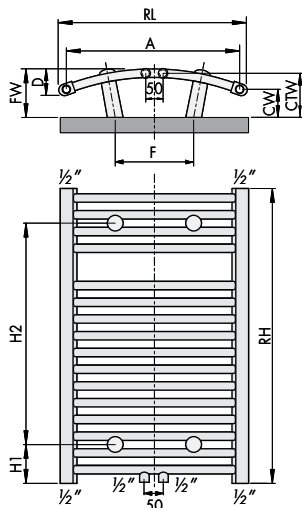
### VALERIANA | VALERIANA CT

A bathroom is often also a place for slowing down, beauty and relaxation. The Valeriana bathroom radiator enhances this feeling of wellbeing in its own way with its aesthetic design. This Stelrad Valeriana radiator with its curved and round tubes emphasises elegance, and with its discreet presence ensures your heating comfort. Also available with a centre connection.

- Product:** elegant bathroom radiator, also available with a centre connection
- Also supplied:** 4 wall brackets, screws, plugs, air vent blind plugs and installation instructions
- Connections:** 4 x 1/2" female connection (6 x 1/2" if with centre connection)
- Packaging:** Every radiator is sturdily packaged in high-quality cardboard and wrapped in plastic. The radiator's characteristics are shown on the label: type – height – length.
- Warranty:** 10 years, as long as the installation instructions have been followed, Stelrad's warranty conditions have been met and the radiator is installed outside the splash area.
- Paint process:** All radiators are degreased, phosphated and powder-coated in Stelrad white 9016 as standard.
- Colours:** Stelrad white 9016 + 35 different Stelrad colours and about 200 RAL-colours are possible
- Max. operating pressure:** 10 bar (tested to 13 bar)
- Max. operating temperature:** 95 °C
- Conformity:** in accordance with EN442
- Heights:** 775 | 1.181 | 1.763 mm
- Number of tubes:** 16 | 24 | 36
- Lengths:** 495 | 585 | 737 mm
- Tubes:** horizontal, curved, O-section, diameter 22 mm
- Collector:** vertical, D-section

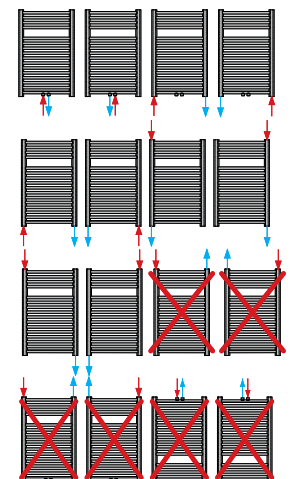


Length	495	585	737	
H775	W	278	321	393
	W	194	223	274
	W	367	425	520
	kg	5,40	6,10	7,20
	l	3,60	4,00	4,70
	m <sup>2</sup>	0,64	0,74	0,91
	n	1,25	1,26	1,25
	Tubes	16	16	16
	ArtN°:	01850001	01850002	01850003
	CT	01850101	01850102	01850103
H1181	W	409	474	581
	W	285	330	406
	W	541	627	768
	kg	8,00	9,10	10,80
	l	5,40	6,00	7,10
	m <sup>2</sup>	0,97	1,12	1,37
	n	1,26	1,25	1,25
	Tubes	24	24	24
	ArtN°:	01850004	01850005	01850006
	CT	01850104	01850105	01850106
H1763	W	608	704	864
	W	422	489	601
	W	807	934	1.145
	kg	11,90	13,60	16,10
	l	8,00	9,00	10,60
	m <sup>2</sup>	1,45	1,68	2,06
	n	1,27	1,27	1,26
	Tubes	36	36	36
	ArtN°:	01850007	01850008	01850009
	CT	01850107	01850108	01850109



RH	H1	H2
775	102	582
1181	102	988
1763	102	1570

RL	A	F	CW	FW	CTW	D
495	455	236	60-75	100-115	85-100	50
585	545	326	60-75	105-120	90-105	60
737	697	478	60-75	115-130	100-115	70



# HEATING ELEMENT FOR BATHROOM RADIATORS

Dahlia · Dahlia CT · Valeriana · Valeriana CT

- heating element class I or class II, IP54
- ON/OFF switch and 1/2" connection.

Use only in vertical position

WHEN USING THE HEATING ELEMENT:

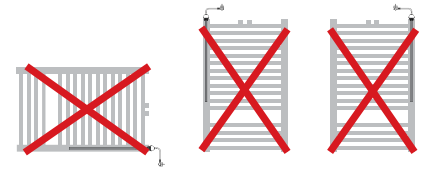
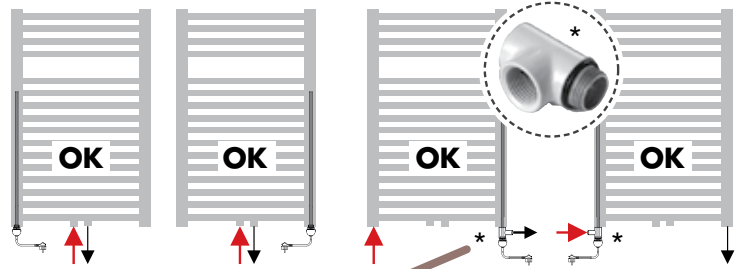
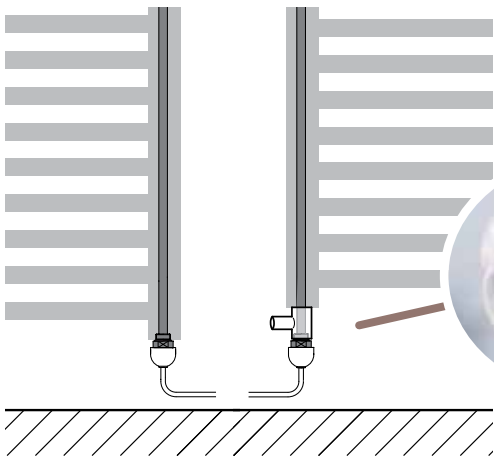
- close radiator inlet
- radiator outlet must remain open

Can only be used in radiators operating in a central heating system.

When operating in humid conditions: mandatory regulations should be respected

T-component: allows heat element to be mounted at in or outlet

- Art. N° T2085
- Colour: Stelrad white 9016



		recommended heating element														
		775			1181			1411			1763			1993		
Class II	Class I	495	585	737	495	585	737	495	585	737	495	585	737	495	585	737
Art. N°. T2094	Art. N°. T2028	300W	w	w	w	w	w	w	w	w	w	w	w	w	w	w
Art. N°. T2095	Art. N°. T2082	600W				w	w	w	w	w	w	w	w	w	w	w
Art. N°. T2096	Art. N°. T2084	900W								w		w	w	w	w	w

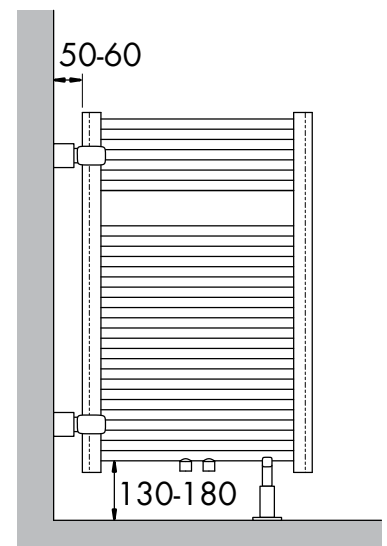
recommended allowed prohibited

# BATHROOM RADIATOR AS ROOM DIVIDER

Dahlia · Dahlia CT

Art. N°:TI 630

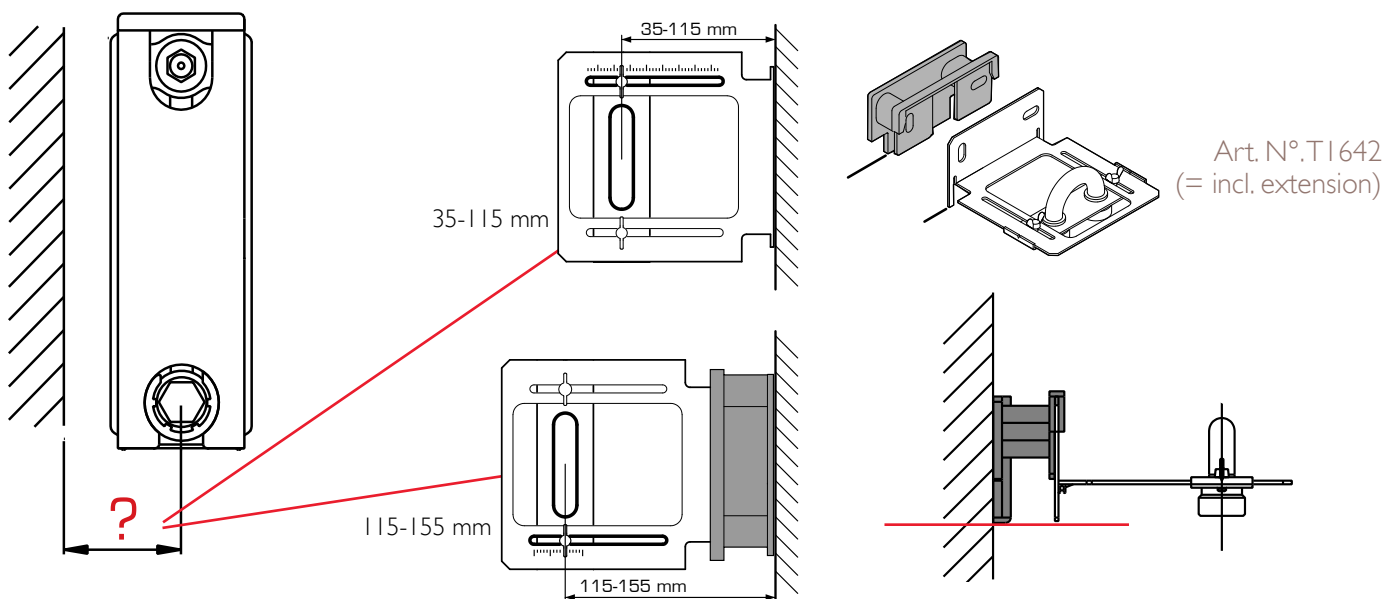
Colour: Stelrad white 9016 only



# MOUNTING TEMPLATE

The mounting template is useful when installing valved radiators to the wall. It replaces the radiator until the very end of the building process. Therefore, finishing tasks such as painting, tiling and applying wallpaper no longer require the removal and remounting of the radiator, which guarantees a pristine condition on commissioning.

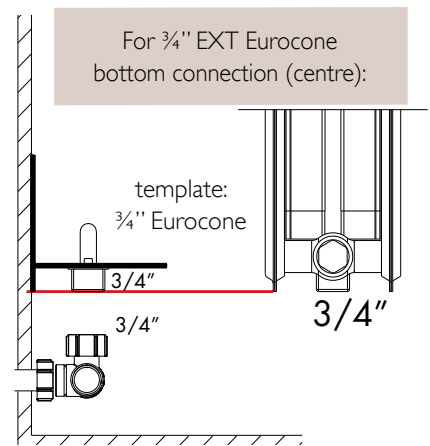
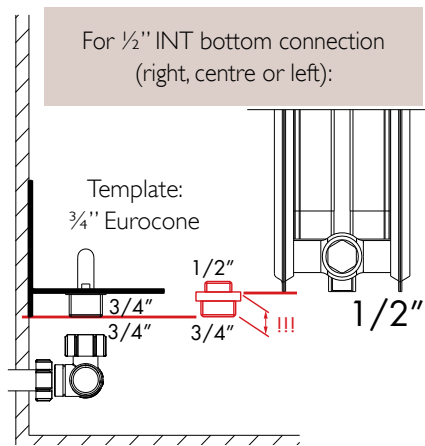
The mounting template consists of a L-shaped metal plate and a bridging piece with 2x 3/4" connections with a 50 mm centre distance. The bridging piece can slide back and forth on the L-shaped plate, which allows the wall distance to be adjusted according to the radiator type and the selected brackets. (see pages 148-152 & 80)



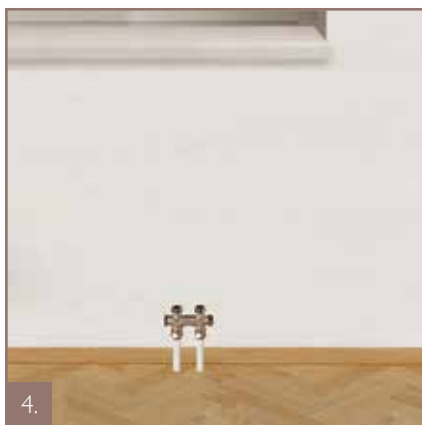
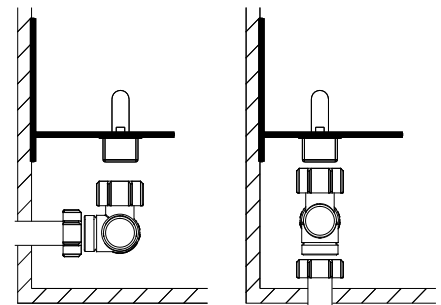
## MOUNTING

1. Fit the template to the wall. Adjust the bridging piece to the correct wall distance (see pages 148-152 & 80)
2. Connect the piping to the mounting template and conduct the leak test
3. Once the concrete floor is finished, the L-shaped part (and the extension) can be removed to allow finishing tasks (e.g. painting, tiling, applying wallpaper,...)  
REMARK: the bridging part must remain on the piping to prevent pollution in the pipes.
4. Mount the brackets to the wall, then remove the bridging part before installing the radiator.  
REMARK: To prevent pollution in the pipes brackets should be mounted before removing the bridging part.
5. REMARK: For radiators with a 1/2" INT bottom connection, a 1/2"EXT x 3/4"EXT reduction must be used. (not included, see next page).

# MOUNTING TEMPLATE



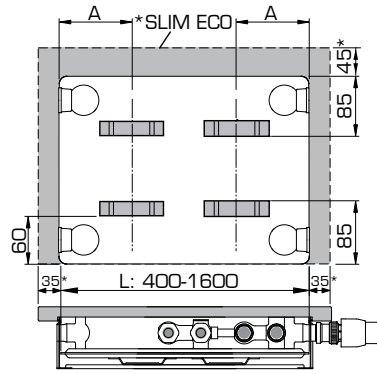
The mounting template can be used for pipes coming out of the floor, as well as for pipes coming out of the wall



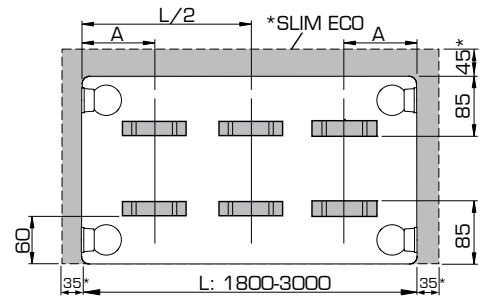
# LUG POSITIONS

## Types 20-33

- Planar VENTO
- Compact VENTO
- Novello ECO
- Hygiene ECO
- Planar Slim ECO\*
- Planar ECO
- Planar Style ECO
- Planar
- Compact Planar
- Compact Style
- ECO Galva
- Hygiene ECO Galva
- Reno Planar · Reno
- Galva
- Hygiene Galva
- Hygiene
- Compact All In
- Accord All In



L	A
400-1600	133



L	A
1800-3000	133

## Type 10 (not ECO, not 8 connections)

- Hygiene Galva
- Hygiene

## Type 10 (ECO, 8 connections)

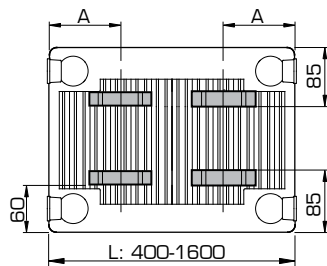
- Hygiene ECO
- Hygiene ECO Galva
- Hygiene Planar 8

L	A
400	100
500-1100	167
1200-1600	267

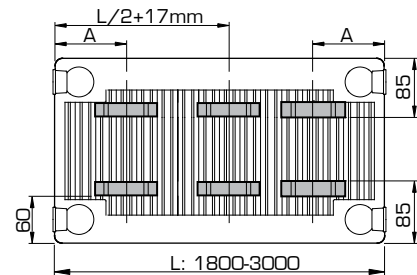
L	A
1800-3000	267

## Type 11

- Novello ECO
- Planar ECO
- Planar Style ECO
- Planar 8
- Planar Style 8
- Planar
- Compact Planar
- Compact Style
- Galva
- ECO Galva
- Novello 8
- Novello
- Compact All In
- Accord All In



L	A
400	117
500-1600	150



L	A
1800-3000	150

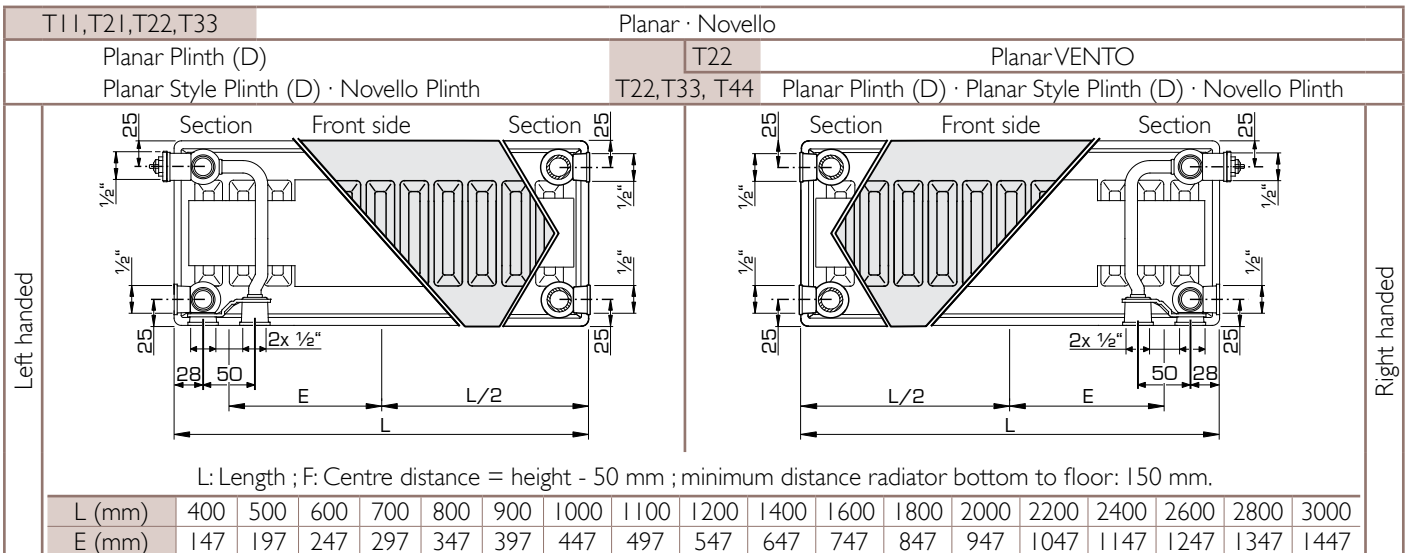
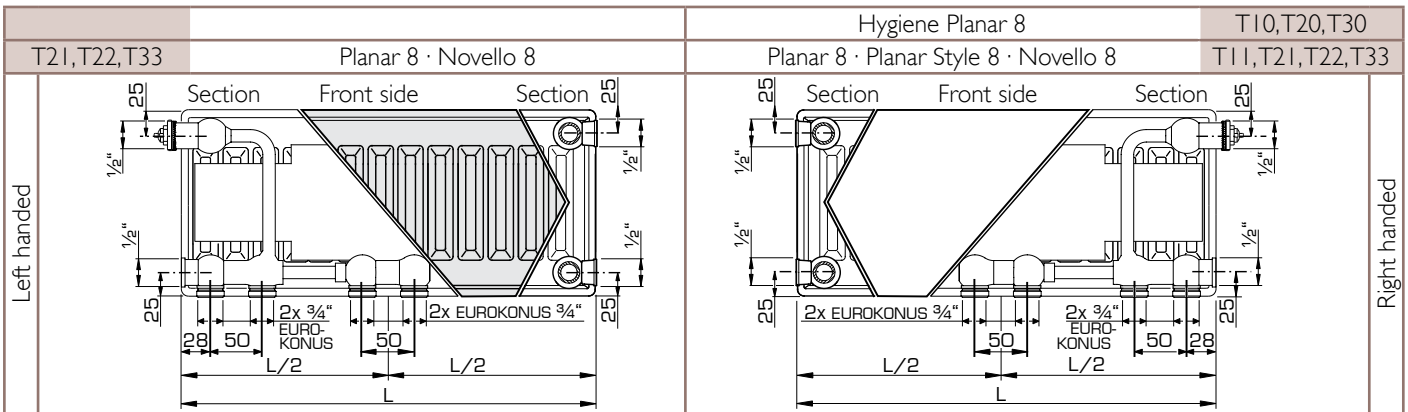
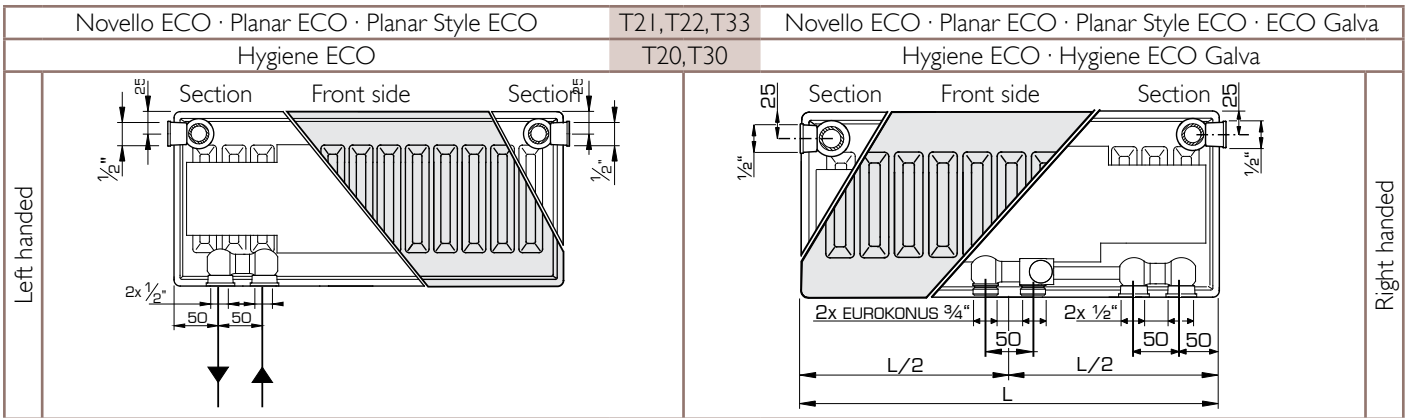
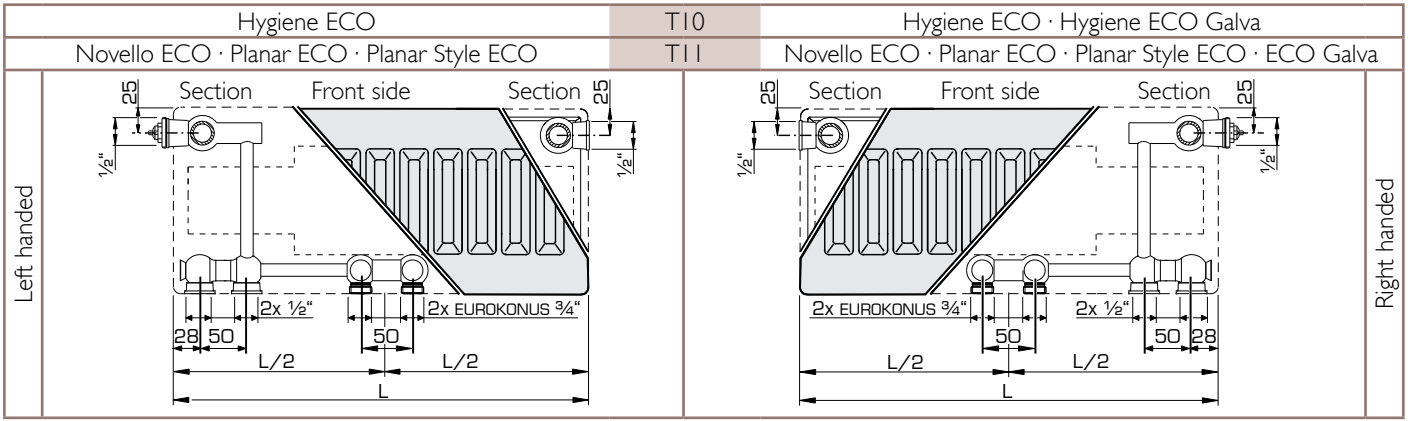


# CONNECTION POSSIBILITIES

<p>Compact VENTO · Compact Planar · Compact Style · Reno Planar · Reno Galva · Hygiene Galva · Hygiene Compact All In · Accord All In</p>	
<p>When connecting as a compact radiator - the valve insert has to be removed - plastic plugs have to be replaced with brass plugs.</p>	
<p>Planar VENTO Planar 8 · Planar Style 8 · Hygiene Planar 8 Planar · Planar Plinth · Planar Style Plinth Planar Plinth D · Planar Style Plinth D Novello Plinth · Novello 8 · Novello</p>	
	<p>* = a reduction in heatoutput will occur when combining low temperature heating with a high temperature difference between inlet and outlet. Not suitable for cooling.</p>

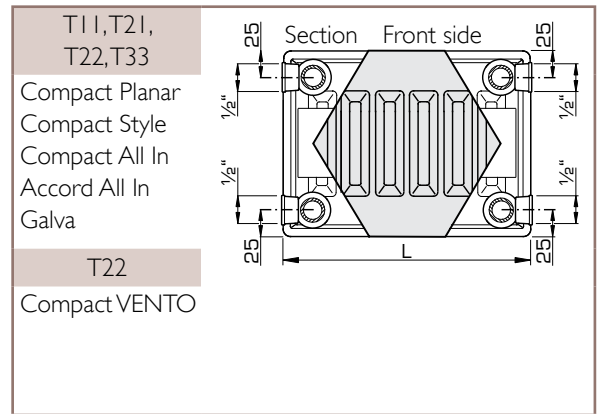
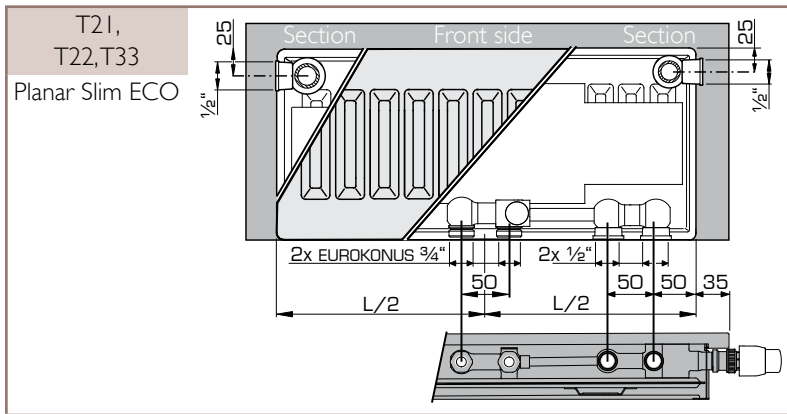
Left handed radiator	Right handed radiator
<p>Types 21 / 22 / 33 Planar 8 Novello 8</p> <p>View: front of radiator</p>	<p>Types 11 / 21 / 22 / 33 Planar 8 Planar Style 8 Novello 8 Types 10 / 20 / 30 Hygiene Planar 8</p> <p>View: front of radiator</p>
<p>Types 11 / 21 / 22 / 33 Planar Novello Types 22 / 33 / 44 Planar Plinth D Planar Style Plinth D Novello Plinth</p> <p>View: front of radiator</p>	<p>Type 22 Planar VENTO Types 11 / 21 / 22 / 33 Planar Novello Types 22 / 33 / 44 Planar Plinth Planar Style Plinth Planar Plinth D Planar Style Plinth D Novello Plinth</p> <p>View: front of radiator</p>
<p>Types 21 / 22 / 33 Novello ECO Planar ECO Planar Style ECO Types 20 / 30 Hygiene ECO</p> <p>View: front of radiator</p>	<p>Types 21 / 22 / 33 Novello ECO Planar Slim ECO Planar ECO Planar Style ECO ECO Galva Types 20 / 30 Hygiene ECO Hygiene ECO Galva</p> <p>View: front of radiator</p>
<p>Important notice for ECO radiators: the green ECO air vent is essential for the proper working of types 20, 21, 22, 30 and 33 of the radiator and cannot be replaced by a traditional air vent as the radiator will keep on heating.</p>	
<p>Type 10 Hygiene ECO Type 11 Novello ECO Planar ECO Planar Style ECO</p> <p>View: front of radiator</p>	<p>Type 10 Hygiene ECO Hygiene ECO Galva Type 11 Novello ECO Planar ECO Planar Style ECO ECO Galva</p> <p>View: front of radiator</p>

# MOUNTING DIMENSIONS VALVERADIATORS



Connection possibilities horizontal radiators: see page 145. Connection possibilities vertical radiators: see pages 78, 79 and 113

# MOUNTING DIMENSIONS VALVERADIATORS

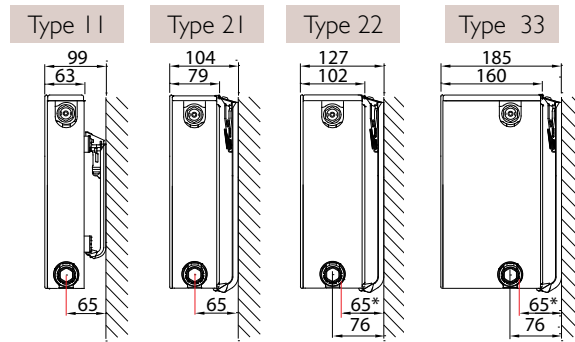


# WALL BRACKETS

Horizontal radiators without lugs °

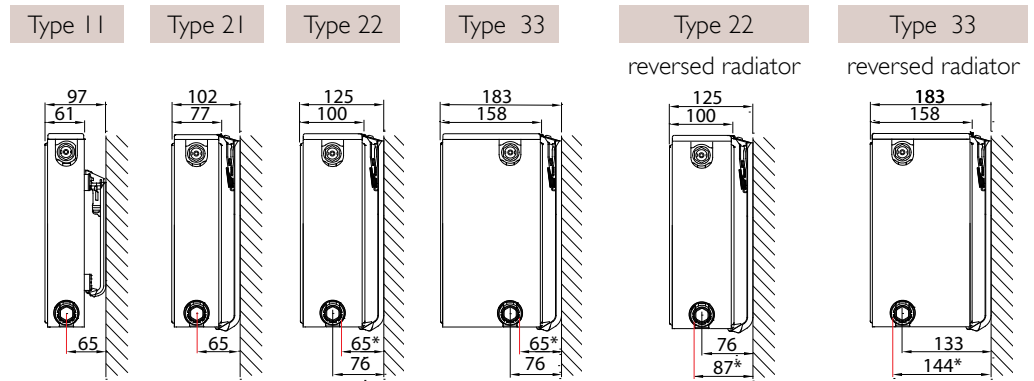
J-brackets (Monclac, VDI 6036 - Class 3)

Planar Style 8  
Planar 8



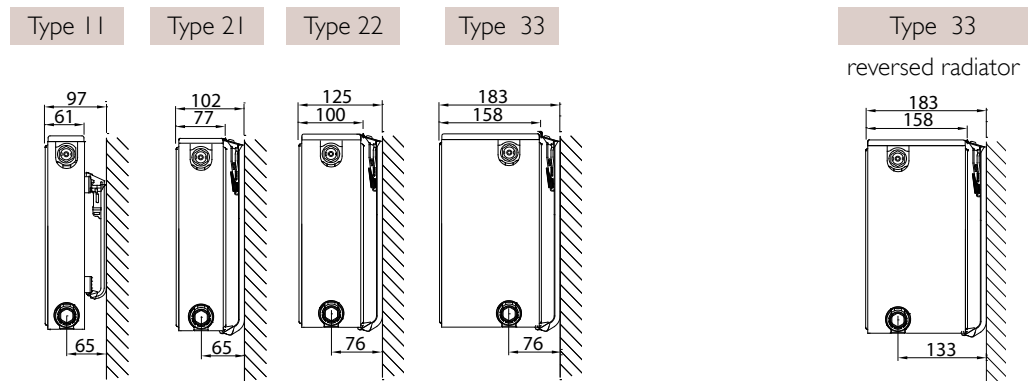
\* centre connection only

Novello 8



\* centre connection only

Novello



( °Types 11 have lugs )

Type 11 J-bracket VDI 6036 Cl. 3	x	y	Art. N°.		Height mm	Types 21-33 J-bracket VDI 6036 Class 3	x	y	Art. N°.		Height mm
			2 pcs.	3 pcs.					2 pcs.	3 pcs.	
	/	140	R509203	R509303	300		64	190	R510203	R510303	300
	103	240	R509204	R509304	400		64	290	R510204	R510304	400
	103	340	R509205	R509305	500		64	390	R510205	R510305	500
	103	440	R509206	R509306	600		64	490	R510206	R510306	600
	103	540	R509207	R509307	700		64	590	R510207	R510307	700
	103	740	R509209	R509309	900		64	790	R510209	R510309	900

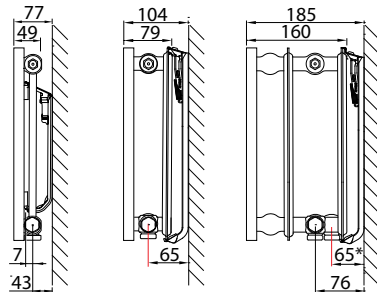
# WALL BRACKETS

Horizontal radiators without lugs °

J-brackets (Monclac, VDI 6036 - Class 3)

Hygiene Planar 8

Type 10    Type 20    Type 30



\* centre connection only

( °Types 10 have lugs )

Type 10 J-bracket VDI 6036 Cl. 2		x	y	Art. N°. 2 pcs.	Height mm	Types 20-30 J-bracket VDI 6036 Cl. 3		x	y	Art. N°. 1 pc.	Height mm
	/	130	R51120310	300		64	190	R510103	300		
	115	230	R51120410	400		64	290	R510104	400		
	115	330	R51120510	500		64	390	R510105	500		
	115	430	R51120610	600		64	490	R510106	600		
	115	530	R51120710	700		64	590	R510107	700		
	115	730	R51120910	900		64	790	R510109	900		

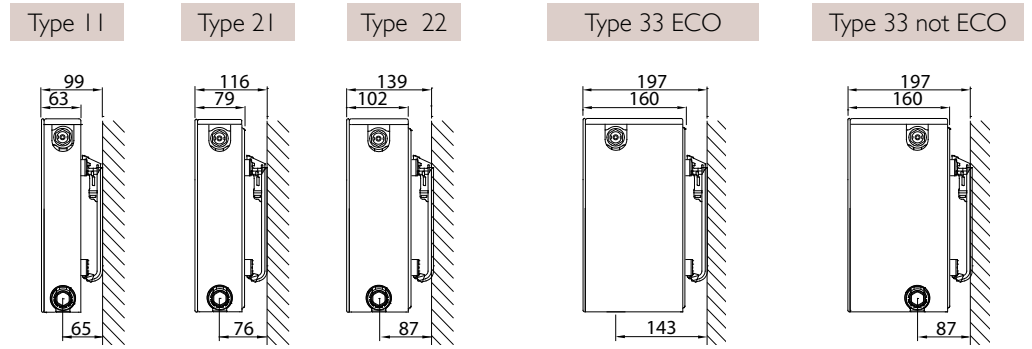
For lengths from 1.800 mm: 3 brackets needed.

# WALL BRACKETS

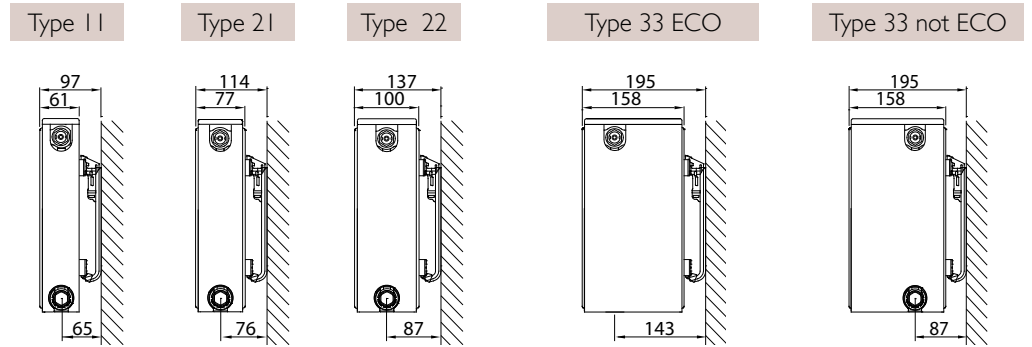
Horizontal radiators with lugs

J-brackets (Type Monclac, for VDI 6036 = Class 3, except Type 10 = Class 2)

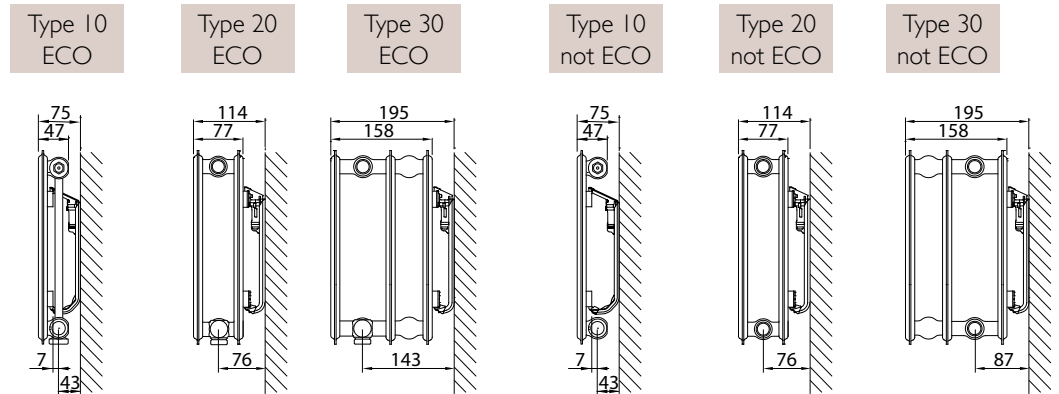
Planar VENTO  
Planar ECO  
Planar Style ECO  
Planar  
Compact Planar  
Compact Style



Compact VENTO  
Novello ECO  
ECO Galva  
Compact All In



Hygiene ECO  
Hygiene ECO Galva  
Hygiene Galva  
Hygiene



Type 10 J-bracket VDI 6036 Class 2	x	y	Art. N°. 2 pcs.	Height mm
	/	130	R51120310	300
	115	230	R51120410	400
	115	330	R51120510	500
	115	430	R51120610	600
	115	530	R51120710	700
	115	730	R51120910	900

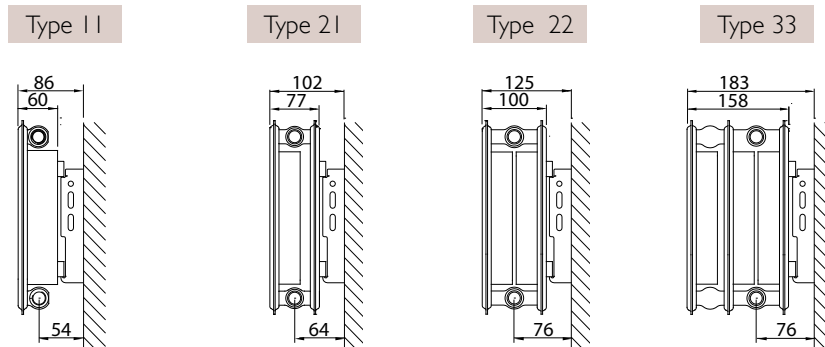
Types 11-33 J-bracket VDI 6036 Class 3	x	y	Art. N°. 2 pcs.	Art. N°. 3 pcs.	Height mm
	/	140	R509203	R509303	300
	103	240	R509204	R509304	400
	103	340	R509205	R509305	500
	103	440	R509206	R509306	600
	103	540	R509207	R509307	700
	103	740	R509209	R509309	900

# WALL BRACKETS

## Horizontal radiators with lugs

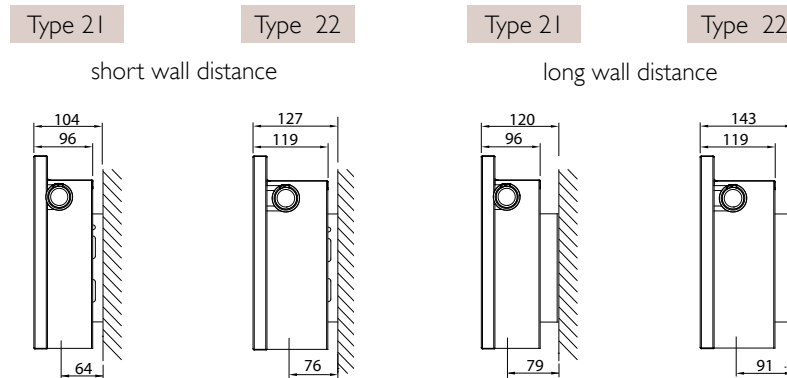
### L-brackets

Accord All In Galva



Remark T11-33: images show the short wall distances, wall distances increase with +15 mm when using the long bracket side.

Planar Slim ECO



Types 11-33 L-bracket (galvanised)	Art. N°.		Height mm		
	z1	z2	2 pcs.	3 pcs.	
	190	170	R512403	R512503	300
	290	270	R512404	R512504	400
	390	370	R512405	R512505	500
	490	470	R512406	R512506	600
	590	570	R512407	R512507	700
	790	770	R512409	R512509	900

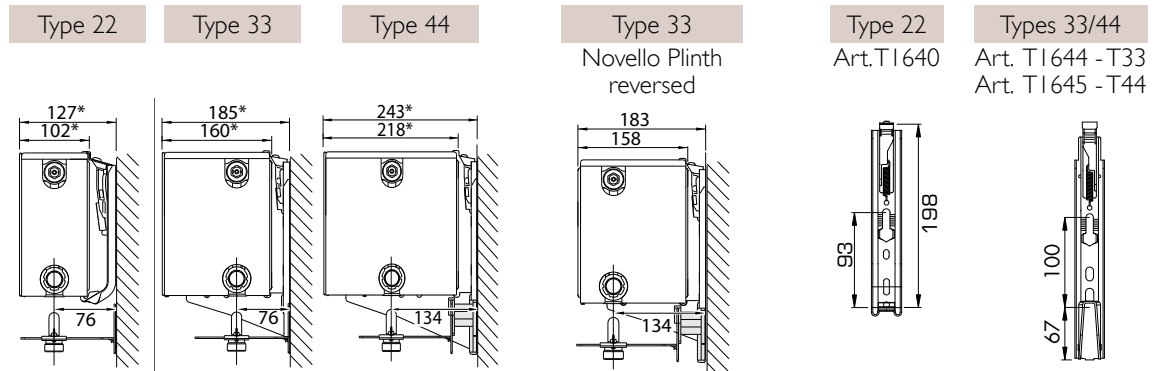
For lengths from 1.800 mm: 3 brackets needed.

# WALL BRACKETS

Plinth radiators and horizontal radiators with lugs

## J-brackets for Plinth radiator mounting

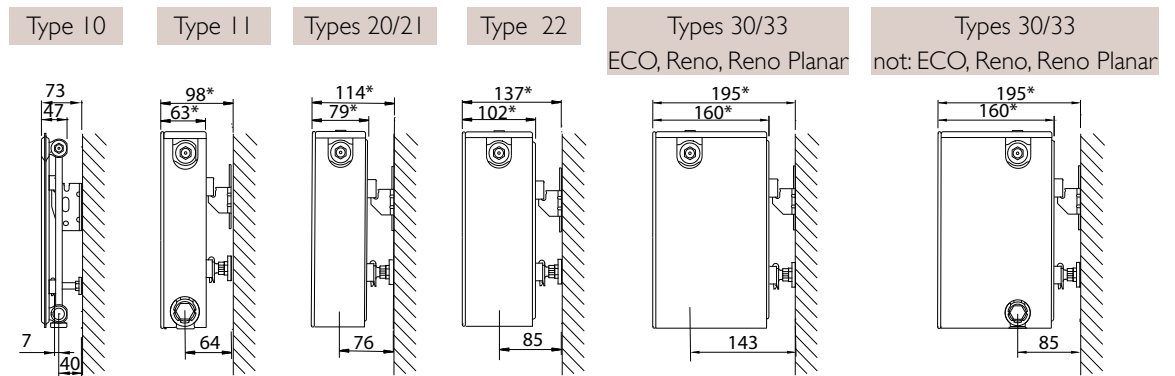
Planar Plinth  
Planar Style Plinth  
Novello Plinth



\* : dimension -2 mm (without front panel)  
view with mounting template Art. N°.T1642

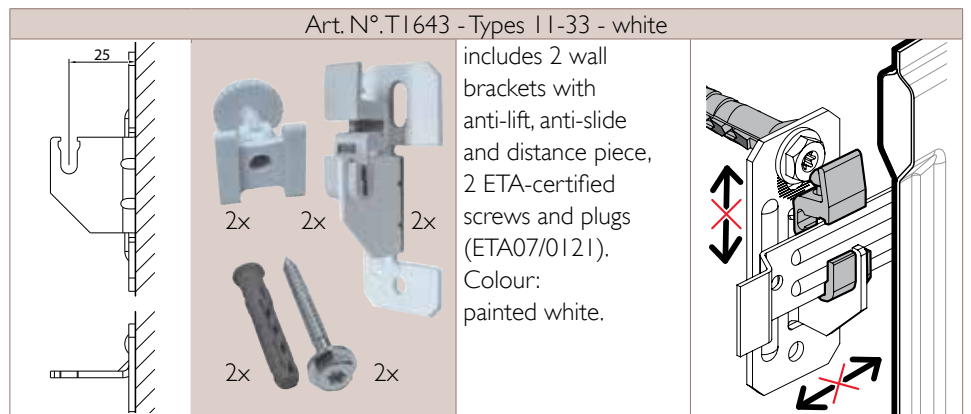
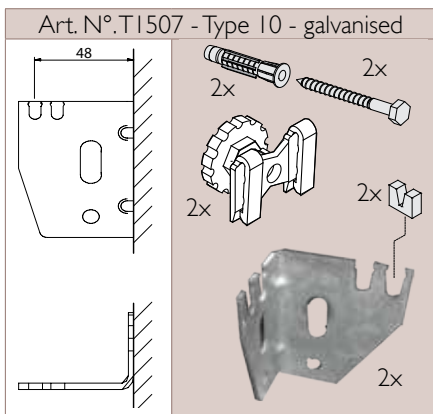
Brackets to be ordered separately.  
For lengths from 1.800 mm: 3 brackets needed.

Angle bracket



\* : dimension -2 mm (without front panel)

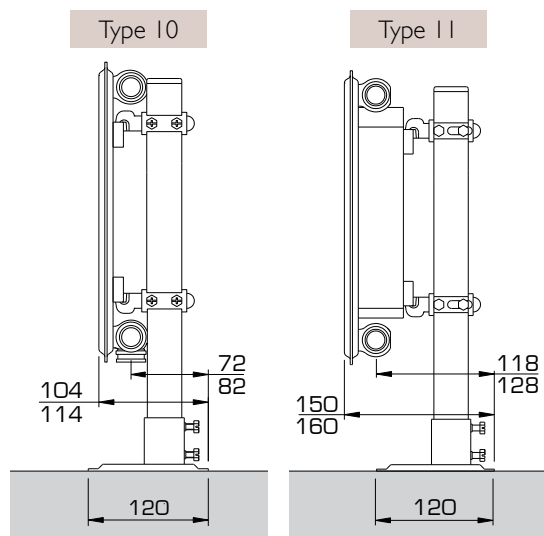
Brackets to be ordered separately.  
For lengths from 1.800 mm: 3 brackets needed.





# FLOOR STANDS - Types 10 & 11

Novello ECO · Hygiene ECO · Planar ECO · Planar Style ECO · Planar 8 · Planar Style 8  
Hygiene Planar 8 · Planar · Compact Plan · Compact Style · ECO Galva · Hygiene ECO Galva  
Galva · Hygiene Galva · Hygiene · Novello 8 · Novello · Compact All In · Accord All In



Floor stands for finished floors:

For radiator heights:

- 300 to 600 mm: article N° T1537

- 300 to 900 mm: article N° T1538

Positions: see lug positions (page 144)

Content:

- 2 tubes

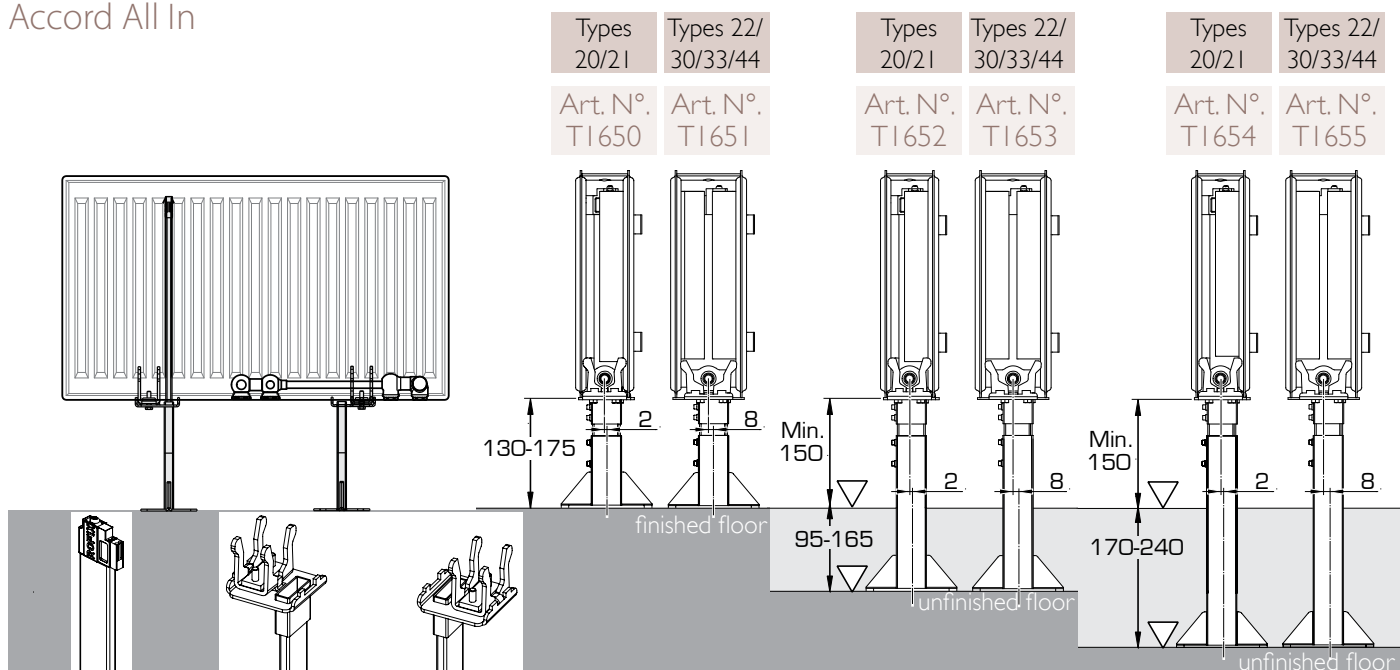
- 2 floor plates with covers

- 4 clamps with saddle clips

Colour: Stelrad white 9016

# FLOOR STANDS

Novello ECO · Hygiene ECO · Planar ECO · Planar Style ECO · Planar 8 · Planar Style 8  
 Hygiene Planar 8 · Planar · Compact Planar · Compact Style · Planar Plinth · Planar Plinth D  
 Planar Style Plinth · Planar Style Plinth D · ECO Galva · Hygiene ECO Galva · Novello Plinth  
 Reno Planar · Reno · Galva · Hygiene Galva · Hygiene · Novello 8 · Novello · Compact All In  
 Accord All In

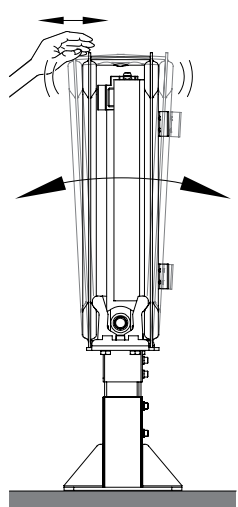
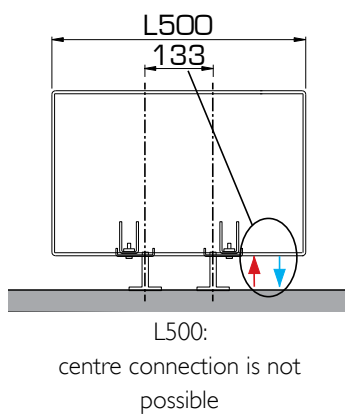


Types 20/21	Types 22/30/33/44	Types 20/21	Types 22/30/33/44	Types 20/21	Types 22/30/33/44
Art. N° T1650	Art. N° T1651	Art. N° T1652	Art. N° T1653	Art. N° T1654	Art. N° T1655

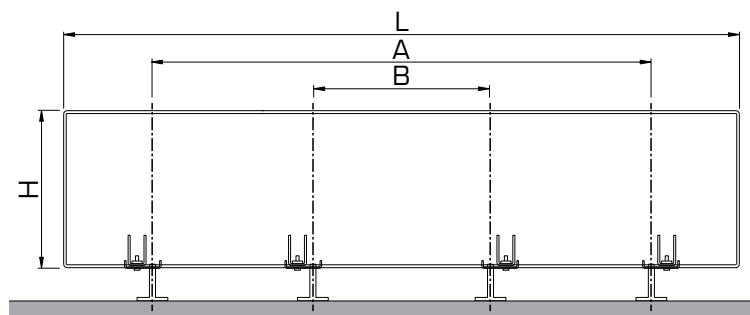
Art. N° T1656 :  
 white stabilizer, needed for H >= 500 mm, to be cut to length according to the radiator height  
 Black: Art. N° T1666

Art. N° T1650-T1655 :  
 (per set), consists of 2 white floor stands, 8 screws and plugs, 2 white covers.  
 Black: Art. N° T1660-T1665

H	H200-H700			H900		
	L	A	B	A	B	
L600	233	-		233	-	
L700	267	-		267	-	
L800	367	-		367	-	
L900	400	-	2x	400	-	2x
L1000	433	-		433	-	
L1100	533	-		533	-	
L1200	567	-		567	-	
L1400	900	-		900	300	
L1600	1100	-	2x	1100	300	4x
L1800	1100	-		1100	300	
L2000	1300	-		1300	433	
L2200	1700	567		1700	567	
L2400	1900	633		1900	633	
L2600	2100	700	4x	2100	700	4x
L2800	2300	767		2300	767	
L3000	2500	1033		2500	1033	



Forward and backward movements remain possible for high radiators.

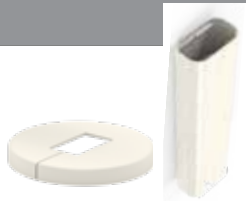
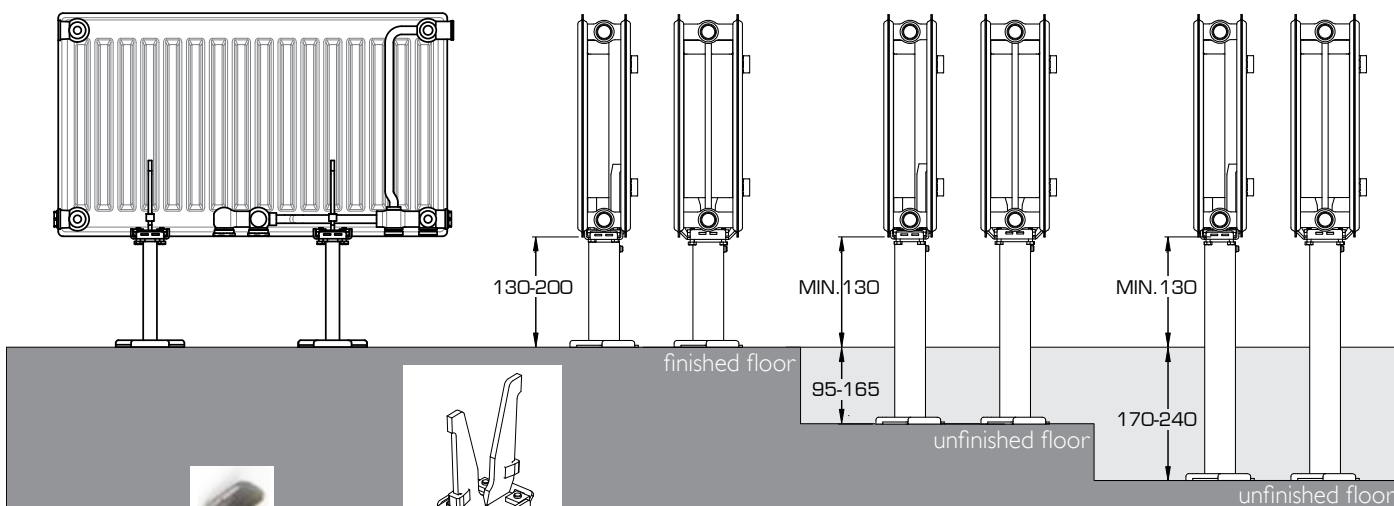


Remark::  
 When connecting with tubes coming from the floor, new floor stand positions can be necessary.

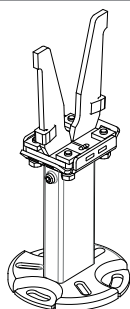
# FLOOR STANDS

Novello ECO · Hygiene ECO · Planar ECO · Planar Style ECO · Planar 8 · Planar Style 8  
 Hygiene Planar 8 · Planar · Compact Planar · Compact Style · Planar Plinth · Planar Plinth D  
 Planar Style Plinth · Planar Style Plinth D · ECO Galva · Hygiene ECO Galva · Novello Plinth  
 Reno Planar · Reno · Galva · Hygiene Galva · Hygiene · Novello 8 · Novello · Compact All In  
 Accord All In

Types 20/21	Types 22/ 30/33/44	Types 20/21	Types 22/ 30/33/44	Types 20/21	Types 22/ 30/33/44
Art. N°. T168021	Art. N°. T168022	Art. N°. T168121	Art. N°. T168122	Art. N°. T168221	Art. N°. T168222

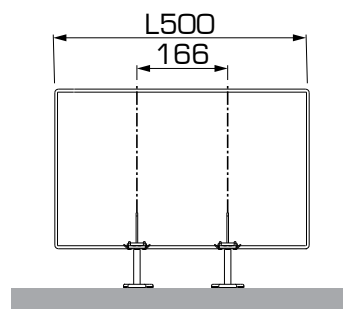


Art. N°.  
 T1684 Tube cover  
 T1683 Foot cover  
 (incl. with T168021  
 & T168022)

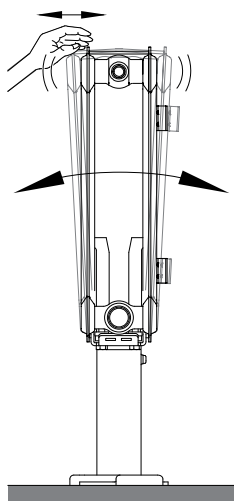


Art. N°.  
 T168021-T168221  
 & T168022-T168222  
 white, per piece

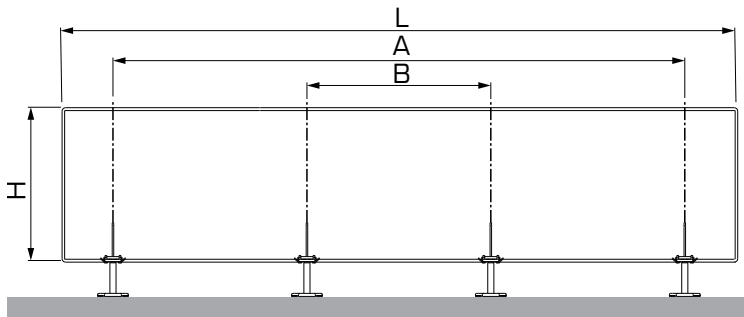
H	H200-H600		H700-900			
	L	A	B	A		B
L600	266	-	-	266	-	2x
L700	366	-	-	366	-	
L800	400	-	-	400	-	
L900	434	-	-	434	-	
L1000	466	-	-	466	-	
L1100	566	-	2x	566	-	4x
L1200	666	-	-	666	-	
L1400	1066	-	-	1066	400	
L1600	1266	-	-	1266	666	
L1800	1466	-	-	1466	666	
L2000	1666	866	-	1666	866	
L2200	1866	600	-	1866	600	
L2400	2066	666	-	2066	666	
L2600	2266	733	4x	2266	733	
L2800	2466	800	-	2466	800	
L3000	2666	1066	-	2666	1066	



L500:  
 not possible for ECO-radiators  
 or radiators with 8 connections.



Forward and  
 backward movements  
 remain possible for  
 high radiators.



**Remark:**

Floorstands T168021 and T168022 (finished floor) are VDI 6036 class 3 compliant, if the floordistance does not exceed 150 mm.

# VALVED DESIGN CONNECTION FITTING

Horta Vertical · Almada · Gilia Single · Gilia Double · Vertex Swing · Vertex Tango  
Vertex Slim · Vertex Plan · Vertex Style · Vertical Galva · Vertex · Dahlia CT · Valeriana CT

## Specifications

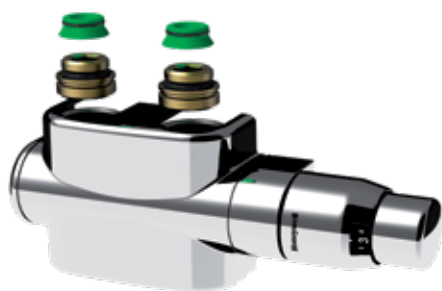
- design cover
- design thermostatic head
- 2x 3/4" - 1/2" reduction
- 2x conical adapter
- Inlet on thermostatic head side
- valve with adjustable Kv (8 presettings)
- maximum operating temperature: 90°C
- maximum operating pressure: 6 bar
- maximum tightening torque: 35 Nm
- body in white high-quality plastic

The valve cannot be replaced.  
For two-pipe systems, not suitable for one-pipe systems.



## Design connection set straight piping with left or right handed valve (reversible)

Art. N°.T2121 - white  
Art. N°.T2122 - chrome



## Design connection set angle piping with left handed valve

Art. N°.T2123 - white  
Art. N°.T2124 - chrome



## Design connection set angle piping with right handed valve

Art. N°.T2125 - white  
Art. N°.T2126 - chrome



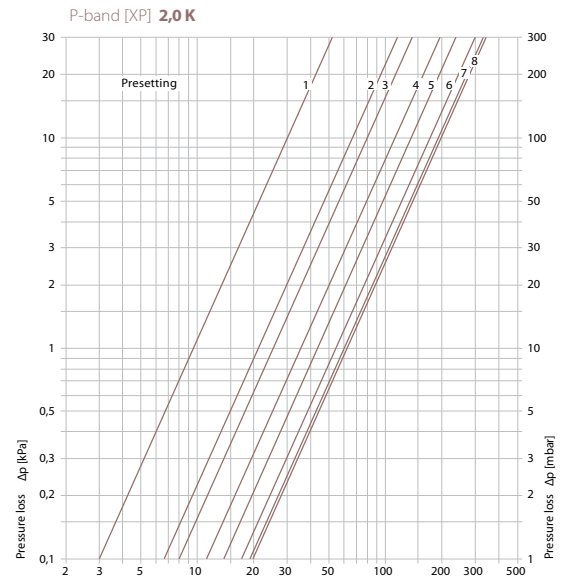
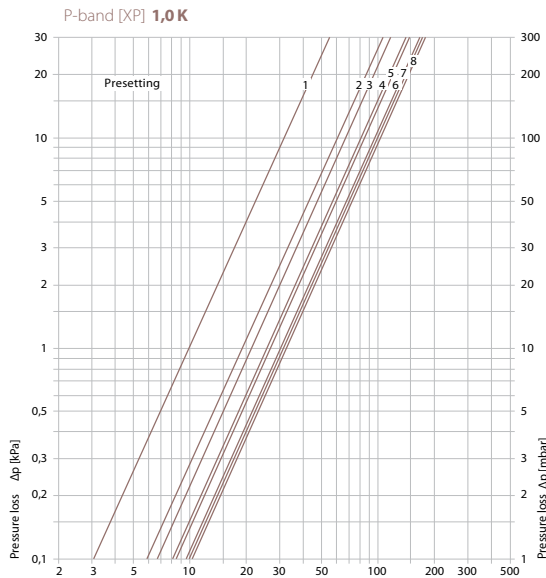
Do not use art. N°.T2125 and T2126 for: Vertex Swing, Vertex Tango, Vertex Slim, Vertex Plan and Vertex Style

# VALVED DESIGN CONNECTION FITTING

## Adjustment of the valved connection fitting



Presetting	p-band xp 2,0 K	p-band xp 1,0 K
1	0,10	0,10
2	0,21	0,19
3	0,26	0,21
4	0,36	0,25
5	0,44	0,27
6	0,54	0,32
7	0,60	0,32
8	0,61	0,33



## Lock function

The lock function can be used to lock the radiator without shutting down the heating system.

The valved design connection fitting closes the inlet and outlet by closing the closing screw and the thermostatic head.

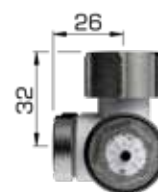


## Mounting dimensions

The supplied adapters enable the connection fitting to be fitted on the most commonly used connections:

- 3/4" external thread with flat sealing,
- 3/4" external thread Eurocone and
- 1/2" internal thread.

The mounting dimensions are also valid for the connection fittings without valve.



3/4" external thread with flat sealing



3/4" external thread Eurocone



1/2" internal thread



# CONNECTION FITTINGS WITHOUT VALVE

Novello ECO · Hygiene ECO · Planar Slim ECO · Planar ECO · Planar Style ECO · Planar 8  
Planar Style 8 · Hygiene Planar 8 · Planar · Planar Plinth · Planar Plinth D · Planar Style Plinth  
Planar Style Plinth D · ECO Galva · Hygiene ECO Galva · Novello Plinth · Novello 8 · Novello

## Specifications

- for horizontal radiators with integrated valve
- body in white high-quality plastic
- 2x conical adapter
- maximum operating temperature: 90°C
- maximum operating pressure: 6 bar
- maximum tightening torque: 35 Nm

For two-pipe systems, not suitable for one-pipe systems.



## Straight version (tubes out of the floor)

- Art. N°.T2104 without drain - white (1 pc.)
- Art. N°.T2105 with drain - white (1 pc.)



Art. N°. T2104



Art. N°. T2105

## Angular version (tubes out of the wall)

- Art. N°.T2106 without drain - white (1 pc.)
- Art. N°.T2107 with drain - white (1 pc.)



Art. N°. T2106



Art. N°. T2107

## Lock function

The lock function can be used to lock the radiator without shutting down the heating system. Inlet and outlet are closed by closing the closing screw.

Mounting dimensions and connections: see previous page.



## Drain

Lock the radiator first, opening the air vent speeds up the process.

Hose nipple Art. N°.T2114 unlocks the drain function.



Art. N°. T2114

## Thermostatic valve

- Art. N°. T1233
- Compatible with Stelrad valve radiators (M30 x 1,5 mm)
- tested according to EN 215-1
- Colour: white



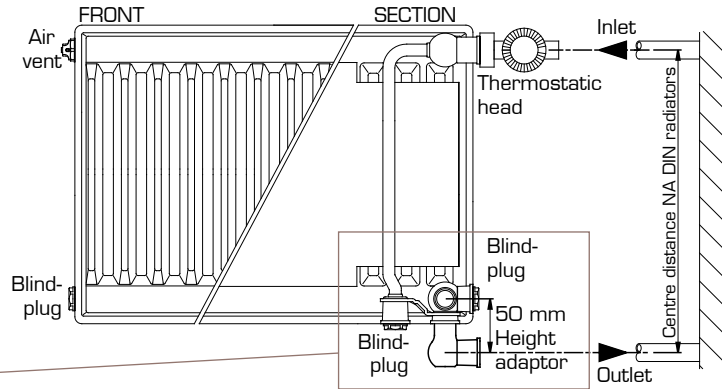
Art. N°. T1233

# DIN-RADIATORS STEEL/CAST IRON: REPLACEMENT RADIATOR

Planar and Novello - with G1/2" elbow  
(see also renovation radiator Reno)

By using the 1/2" elbow, the valved radiators Planar and Novello can, due to their construction with 6 connections, as well as all type I0-I1 ECO-radiators, easily replace old steel or cast iron DIN radiators. The desired wall distance can be obtained by using a drill bracket.

DIN-Radiators	Planar, Novello, ECO-radiators T10-I1
NA 500	BH 500, Type 22 or 33, with elbow
NA 900	BH 900, Type 22 or 33, with elbow



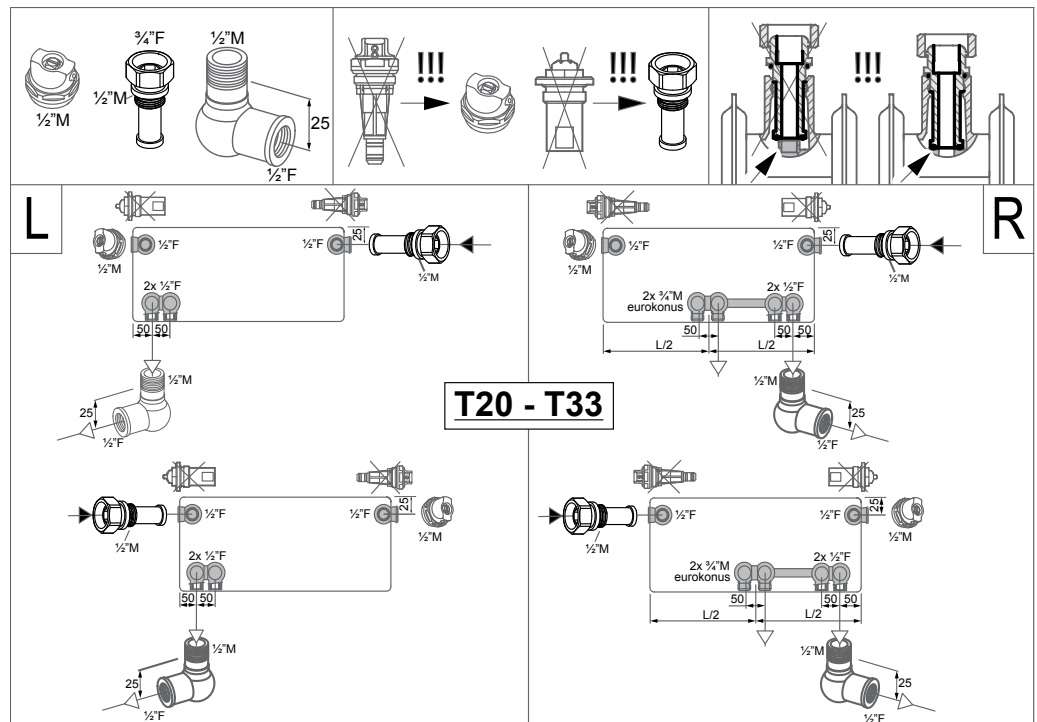
# DIN-RADIATORS STEEL/CAST IRON: RENOVATION SET FOR ECO-RADIATORS

Due to their construction with 6 connections, type 20-33 ECO radiators can easily replace old steel or cast iron DIN radiators. The desired wall distance can be obtained by using a drill-in bracket.

DIN-Radiators	ECO-radiators T20-33
NA 500	BH 500, Type 22 or 33, with elbow
NA 900	BH 900, Type 22 or 33, with elbow



Art. N°. T2130



# HYDRAULIC BALANCING OF HEATING SYSTEMS

Hydraulic balancing of heating systems (tubes, fittings, inserts, etc.), which is required by several European standards, is a mandatory measure for the reduction of energy consumption and cost.

The radiators of a heating system have to supply a heat output that corresponds to the heat demand of the rooms in which they are installed. That heat output depends on the radiator size, the water temperature and the water flow rate through the radiator. Therefore, as various radiator sizes are usually installed in a heating system, the total pump flow rate has to be divided into unequal parts to the radiators. This cannot be realised by the pump.

Consequently, in an unbalanced heating system it is very likely that the flow rate through small radiators will be too high and that through large radiators too low. Moreover, because water tends to follow the path offering the least resistance, some radiators will be disadvantaged due to the larger distance to the boiler for instance.

Having too high a flow rate through the radiator can generate noise, whereas the heat output increase is relatively low. In addition the water returns to the boiler at a higher temperature, which can lead to lower boiler efficiency, especially when using condensing boilers. On the other hand, if a radiator receives too little flow rate, it is likely not to supply enough heat output. Leaving heating systems unbalanced generally results in customer complaints, insufficient comfort and increased heating costs.

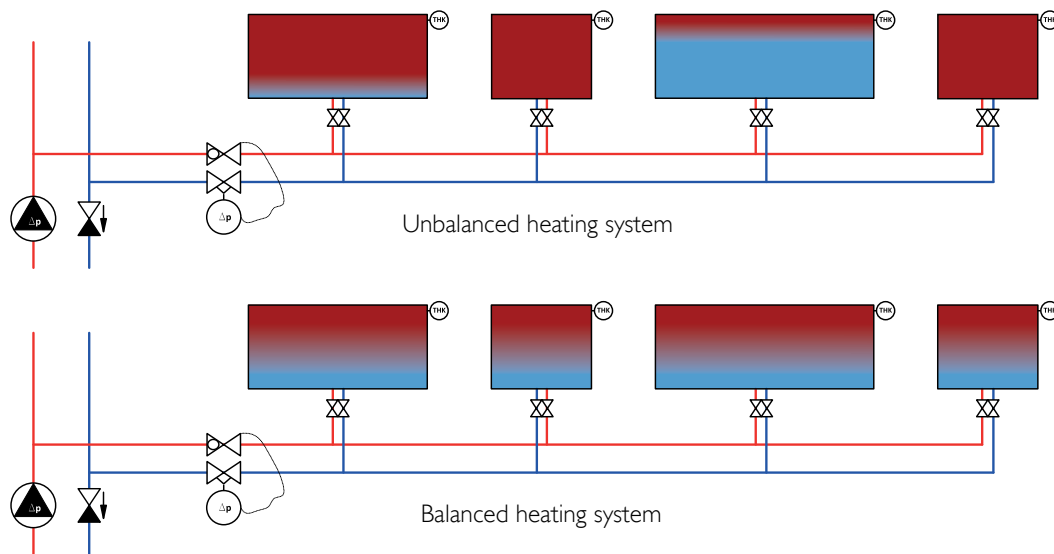
In practice the pump flow rate is frequently increased to solve the problem of radiators that do not heat up sufficiently. However, this generally leads to more complaints due to noise amplification in the system as well as higher energy consumption.

To solve this problem it is necessary to balance the heating system by adjusting the flow rate through each radiator.

Advantages of hydraulic balancing:

- Reduction of CO<sub>2</sub> emission
- Energy savings (up to 6%)
- Thermal comfort
- No noise problem
- Compliance to standards

Considering the reduction of both CO<sub>2</sub> and energy consumption, Stelrad recommends the hydraulic balancing of heating systems.



## Determination of mass flow:

The mass flow rate "m" of a radiator depends on:

- Heat output "Q" at required temperatures (e.g. 70/55/20°C)
- Water temperature drop across the radiator (T<sub>inlet</sub> - T<sub>outlet</sub>).

and can be determined using the following simplified formula:

$$\text{Mass flow } \dot{m} = \frac{\dot{Q}}{1,163 (T_{\text{Inlet}} - T_{\text{Outlet}})} \quad \text{or} \quad \dot{m} = \frac{\dot{Q} \times 3600}{4186 \times (T_{\text{Inlet}} - T_{\text{Outlet}})}$$



# VALVE INSERT

Novello ECO · Hygiene ECO · Planar Slim ECO · Planar ECO · Planar Style ECO · Planar 8  
 Planar Style 8 · Hygiene Planar 8 · Planar · ECO Galva · Hygiene ECO Galva · Novello 8 · Novello






For easier hydraulic balancing, Stelrad (\*) radiators have factory-fitted valves with a preset Kv-value.  
 5 presets have been defined with 5 different coloured caps (yellow, white, red, black, blue).

These factory presets are based on the operating conditions below:

- emmissions at 70/55/20 °C (tinlet - toutlet = 15 °C),
- pressure drop  $\Delta p = 100$  mbar;
- P-band of 1K.

For other working conditions a readjustment may be necessary, using the preset key (Art. N°.TI 622) and the tables of pages 166 and 167.  
 A replacement of the insert can be necessary.

In I-pipe systems the insert needs to be set at position "8".

fine	normal			
Heimeier Art. N°. 4369	Heimeier Art. N°. 4368			
Stelrad Art. N°. R4216	Stelrad Art. N°. R4218	Stelrad Art. N°. R4219	Stelrad Art. N°. R4220	Stelrad Art. N°. R4221
				
yellow	white	red	black	blue
preset 5,5	preset 2,5	preset 4,5	preset 6	preset 8
presetting 1-8	presetting 1-8			



\* no presetting for Novello Plinth, Planar Plinth, Planar Plinth D, Planar Style Plinth and Planar Style Plinth D

# VALVE INSERT: FACTORY PRESETTINGS

## NOVELLO ECO

Stielrad-BV/PL20/0004/EC06

Height	300				400				500				600				700				900			
	11	21	22	33	11	21	22	33	11	21	22	33	11	21	22	33	11	21	22	33	11	21	22	33
400	5.5	5.5	5.5	5.5	5.5	5.5	5.5	5.5	5.5	5.5	5.5	2.5	5.5	5.5	5.5	2.5	5.5	5.5	2.5	2.5	5.5	2.5	2.5	2.5
500	5.5	5.5	5.5	5.5	5.5	5.5	5.5	2.5	5.5	5.5	5.5	2.5	5.5	5.5	2.5	2.5	5.5	2.5	2.5	2.5	5.5	2.5	2.5	4.5
600	5.5	5.5	5.5	2.5	5.5	5.5	5.5	2.5	5.5	5.5	2.5	2.5	5.5	2.5	2.5	2.5	5.5	2.5	2.5	4.5	2.5	2.5	2.5	4.5
700	5.5	5.5	5.5	2.5	5.5	5.5	2.5	2.5	5.5	2.5	2.5	2.5	5.5	2.5	2.5	4.5	5.5	2.5	2.5	4.5	2.5	2.5	4.5	6
800	5.5	5.5	2.5	2.5	5.5	2.5	2.5	2.5	5.5	2.5	2.5	4.5	2.5	2.5	2.5	4.5	2.5	2.5	2.5	4.5	2.5	2.5	4.5	6
900	5.5	5.5	2.5	2.5	5.5	2.5	2.5	2.5	2.5	2.5	2.5	4.5	2.5	2.5	2.5	4.5	2.5	2.5	4.5	6	2.5	4.5	4.5	8
1000	5.5	2.5	2.5	2.5	5.5	2.5	2.5	4.5	2.5	2.5	2.5	4.5	2.5	2.5	4.5	6	2.5	2.5	4.5	8	2.5	4.5	6	8
1100	5.5	2.5	2.5	2.5	2.5	2.5	2.5	4.5	2.5	2.5	4.5	6	2.5	2.5	4.5	6	2.5	4.5	4.5	8	2.5	4.5	6	8
1200	5.5	2.5	2.5	4.5	2.5	2.5	2.5	4.5	2.5	2.5	4.5	6	2.5	4.5	4.5	8	2.5	4.5	6	8	4.5	6	8	8
1400	5.5	2.5	2.5	4.5	2.5	2.5	4.5	6	2.5	4.5	4.5	8	2.5	4.5	6	8	4.5	4.5	8	8	4.5	8	8	8
1600		2.5	2.5	6	2.5	2.5	4.5	8	2.5	4.5	6	8	4.5	4.5	8	8	4.5	6	8	8	6	8	8	8
1800		2.5	4.5	6	2.5	4.5	4.5	8	2.5	4.5	6	8	4.5	6	8	8	4.5	8	8	8	6	8	8	8
2000		2.5	4.5	8	2.5	4.5	6	8	4.5	6	8	8	4.5	8	8	8	6	8	8	8	8	8	8	8
2200			4.5	4.5	8		4.5	8	8	4.5	6	8	8	6	8	8	8							
2400			4.5	6	8		6	8	8	4.5	8	8	8	6	8	8	8							
2600				6			8				8				8									
2800				8			8				8				8									
3000				8			8				8				8									

## HYGIENE ECO · HYGIENE ECO GALVA

Stielrad-BV/PL20/0004/EC06

Height	300			400			500			600			700			900		
	10	20	30	10	20	30	10	20	30	10	20	30	10	20	30	10	20	30
400	5.5	5.5	5.5	5.5	5.5	5.5	5.5	5.5	5.5	5.5	5.5	5.5	5.5	5.5	5.5	5.5	5.5	2.5
500	5.5	5.5	5.5	5.5	5.5	5.5	5.5	5.5	5.5	5.5	5.5	2.5	5.5	5.5	2.5	5.5	5.5	2.5
600	5.5	5.5	5.5	5.5	5.5	5.5	2.5	5.5	5.5	2.5	5.5	2.5	5.5	5.5	2.5	5.5	2.5	2.5
700	5.5	5.5	5.5	5.5	5.5	2.5	2.5	5.5	5.5	2.5	5.5	2.5	5.5	2.5	2.5	5.5	2.5	2.5
800	5.5	5.5	5.5	5.5	5.5	2.5	2.5	5.5	5.5	2.5	5.5	2.5	5.5	2.5	2.5	5.5	2.5	2.5
900	5.5	5.5	2.5	5.5	5.5	2.5	2.5	5.5	2.5	2.5	5.5	2.5	5.5	2.5	2.5	5.5	2.5	2.5
1000	5.5	5.5	2.5	5.5	2.5	2.5	2.5	5.5	2.5	2.5	5.5	2.5	5.5	2.5	2.5	5.5	2.5	4.5
1100	5.5	5.5	2.5	5.5	2.5	2.5	2.5	5.5	2.5	2.5	5.5	2.5	5.5	2.5	4.5	2.5	2.5	4.5
1200	5.5	5.5	2.5	5.5	2.5	2.5	2.5	5.5	2.5	4.5	2.5	2.5	4.5	2.5	2.5	4.5	2.5	4.5
1400	5.5	2.5	2.5	5.5	2.5	2.5	2.5	2.5	2.5	4.5	2.5	2.5	4.5	2.5	2.5	4.5	2.5	4.5
1600		2.5	2.5	5.5	2.5	4.5	4.5	2.5	2.5	4.5	2.5	4.5	6	2.5	4.5	8	2.5	4.5
1800		2.5	4.5	2.5	2.5	4.5	4.5	2.5	4.5	6	2.5	4.5	8	2.5	4.5	8	2.5	4.5
2000		2.5	4.5	2.5	2.5	6	8	2.5	4.5	8	2.5	4.5	8	2.5	4.5	8	2.5	4.5
2200		2.5	4.5		4.5	6		2.5	4.5	8	2.5	6	8		6	8		4.5
2400		2.5	4.5		4.5	8		2.5	4.5	8	2.5	6	8		6	8		4.5
2600		4.5			4.5				6			8			8			
2800		4.5			4.5				6			8			8			
3000		4.5			6				8			8			8			

## ECO GALVA

Stielrad-BV/PL20/0004/EC06

Height	300				400				500				600				700				900			
	11	21	22	33	11	21	22	33	11	21	22	33	11	21	22	33	11	21	22	33	11	21	22	33
400	5.5	5.5	5.5	5.5	5.5	5.5	5.5	5.5	5.5	5.5	5.5	2.5	5.5	5.5	5.5	2.5	5.5	5.5	2.5	2.5	5.5	2.5	2.5	2.5
500	5.5	5.5	5.5	5.5	5.5	5.5	5.5	2.5	5.5	5.5	5.5	2.5	5.5	5.5	2.5	2.5	5.5	2.5	2.5	2.5	5.5	2.5	2.5	4.5
600	5.5	5.5	5.5	2.5	5.5	5.5	5.5	2.5	5.5	5.5	2.5	2.5	5.5	2.5	2.5	2.5	5.5	2.5	2.5	4.5	2.5	2.5	2.5	4.5
700	5.5	5.5	5.5	2.5	5.5	5.5	2.5	2.5	5.5	2.5	2.5	2.5	5.5	2.5	2.5	4.5	2.5	2.5	2.5	4.5	2.5	2.5	4.5	6
800	5.5	5.5	2.5	2.5	5.5	2.5	2.5	2.5	5.5	2.5	2.5	4.5	2.5	2.5	2.5	4.5	2.5	2.5	2.5	4.5	2.5	2.5	4.5	6
900	5.5	5.5	2.5	2.5	5.5	2.5	2.5	2.5	2.5	2.5	2.5	4.5	2.5	2.5	2.5	4.5	2.5	2.5	4.5	6	2.5	4.5	4.5	8
1000	5.5	2.5	2.5	2.5	5.5	2.5	2.5	4.5	2.5	2.5	2.5	4.5	2.5	2.5	4.5	6	2.5	2.5	4.5	8	2.5	4.5	6	8
1100	5.5	2.5	2.5	2.5	2.5	2.5	2.5	4.5	2.5	2.5	4.5	6	2.5	2.5	4.5	6	2.5	4.5	4.5	8	2.5	4.5	6	8
1200	5.5	2.5	2.5	4.5	2.5	2.5	2.5	4.5	2.5	2.5	4.5	6	2.5	4.5	4.5	8	2.5	4.5	6	8	4.5	6	8	8
1400	5.5	2.5	2.5	4.5	2.5	2.5	4.5	6	2.5	4.5	4.5	8	2.5	4.5	6	8	4.5	4.5	8	8	4.5	8	8	8
1600		2.5	2.5	6	2.5	2.5	4.5	8	2.5	4.5	6	8	4.5	4.5	8	8	4.5	6	8	8	6	8	8	8
1800		2.5	4.5	6	2.5	4.5	4.5	8	2.5	4.5	6	8	4.5	6	8	8	4.5	8	8	8	6	8	8	8
2000		2.5	4.5	8	2.5	4.5	6	8	4.5	6	8	8	4.5	8	8	8	6	8	8	8	8	8	8	8
2200			4.5	4.5	8		4.5	8	8	4.5	6	8	8	6	8	8	8							
2400			4.5	6	8		6	8	8	4.5	8	8	8	6	8	8	8							
2600				6			8				8				8									
2800				8			8				8				8									
3000				8			8				8				8									

# VALVE INSERT: FACTORY PRESETTINGS

## PLANAR SLIM ECO

Height	545		645	
Type	21	22	21	22
670	5.5	2.5	2.5	2.5
870	2.5	2.5	2.5	2.5
1070	2.5	2.5	2.5	4.5
1270	2.5	4.5	2.5	4.5
1470	2.5	4.5	4.5	6
1670	4.5	4.5	4.5	6
1870	4.5	6	6	8
2070	4.5	8	6	8

## PLANAR VENTO

Height	400	600	900
Type	22		
500	2.5	2.5	2.5
600	2.5	2.5	4.5
700	2.5	2.5	4.5
800	2.5	4.5	4.5
900	2.5	4.5	6
1000	4.5	4.5	6
1100	4.5	6	8
1200	4.5	6	8
1400	6	8	8
1600	6	8	8
1800	8	8	
2000	8	8	

## PLANAR ECO

Height	300				400				500				600				700				900			
	11	21	22	33	11	21	22	33	11	21	22	33	11	21	22	33	11	21	22	33	11	21	22	33
400	5.5	5.5	5.5	5.5	5.5	5.5	5.5	5.5	5.5	5.5	5.5	2.5	5.5	5.5	5.5	2.5	5.5	5.5	5.5	2.5	5.5	5.5	2.5	2.5
500	5.5	5.5	5.5	5.5	5.5	5.5	5.5	2.5	5.5	5.5	5.5	2.5	5.5	5.5	2.5	2.5	5.5	5.5	2.5	2.5	5.5	2.5	2.5	2.5
600	5.5	5.5	5.5	2.5	5.5	5.5	5.5	2.5	5.5	5.5	2.5	2.5	5.5	2.5	2.5	2.5	5.5	2.5	2.5	2.5	2.5	2.5	2.5	4.5
700	5.5	5.5	5.5	2.5	5.5	5.5	2.5	2.5	5.5	2.5	2.5	2.5	5.5	2.5	2.5	2.5	2.5	2.5	2.5	4.5	2.5	2.5	2.5	4.5
800	5.5	5.5	5.5	2.5	5.5	5.5	2.5	2.5	5.5	2.5	2.5	2.5	2.5	2.5	2.5	4.5	2.5	2.5	2.5	4.5	2.5	2.5	4.5	6
900	5.5	5.5	2.5	2.5	5.5	2.5	2.5	2.5	5.5	2.5	2.5	4.5	2.5	2.5	2.5	4.5	2.5	2.5	4.5	6	2.5	2.5	4.5	8
1000	5.5	5.5	2.5	2.5	5.5	2.5	2.5	4.5	2.5	2.5	2.5	4.5	2.5	2.5	4.5	6	2.5	2.5	4.5	6	2.5	4.5	4.5	8
1100	5.5	2.5	2.5	2.5	5.5	2.5	2.5	4.5	2.5	2.5	2.5	4.5	2.5	2.5	4.5	6	2.5	2.5	4.5	8	2.5	4.5	6	8
1200	5.5	2.5	2.5	2.5	2.5	2.5	2.5	4.5	2.5	2.5	4.5	6	2.5	2.5	4.5	8	2.5	4.5	4.5	8	2.5	4.5	6	8
1400	5.5	2.5	2.5	4.5	2.5	2.5	4.5	6	2.5	2.5	4.5	8	2.5	4.5	6	8	2.5	4.5	6	8	4.5	6	8	8
1600		2.5	2.5	4.5	2.5	2.5	4.5	6	2.5	4.5	6	8	2.5	4.5	6	8	4.5	6	8	8	4.5	8	8	8
1800		2.5	4.5	6	2.5	4.5	4.5	8	2.5	4.5	6	8	4.5	6	8	8	4.5	6	8	8	6	8	8	8
2000		2.5	4.5	6	2.5	4.5	6	8	4.5	4.5	8	8	4.5	6	8	8	4.5	8	8	8	6	8	8	8
2200		4.5	4.5	8		4.5	6	8	4.5	6	8	8	4.5	8	8	8								
2400		4.5	6	8		6	8	8	4.5	6	8	8	6	8	8	8								
2600			6				8				8				8									
2800			6				8				8				8									
3000			8				8				8				8									

## PLANAR STYLE ECO

Height	300		400				500				600				700				900				
	22	33	11	21	22	33	11	21	22	33	11	21	22	33	11	21	22	33	11	21	22	33	
400																							
500	5.5	5.5	5.5	5.5	5.5	2.5	5.5	5.5	5.5	2.5	5.5	5.5	2.5	2.5	5.5	5.5	2.5	2.5	5.5	5.5	2.5	2.5	2.5
600			5.5	5.5	5.5	2.5	5.5	5.5	2.5	2.5	5.5	2.5	2.5	2.5	5.5	2.5	2.5	2.5	2.5	2.5	2.5	2.5	4.5
700			5.5	5.5	2.5	2.5	5.5	2.5	2.5	2.5	2.5	2.5	2.5	2.5	2.5	2.5	2.5	4.5	2.5	2.5	2.5	4.5	4.5
800	5.5	2.5	5.5	5.5	2.5	2.5	5.5	2.5	2.5	2.5	2.5	2.5	2.5	2.5	2.5	2.5	4.5	2.5	2.5	2.5	4.5	4.5	6
900	2.5	2.5	5.5	2.5	2.5	2.5	5.5	2.5	2.5	4.5	2.5	2.5	2.5	4.5	2.5	2.5	4.5	6	2.5	2.5	4.5	8	8
1000	2.5	2.5	5.5	2.5	2.5	4.5	2.5	2.5	2.5	4.5	2.5	2.5	4.5	6	2.5	2.5	4.5	6	2.5	4.5	4.5	8	8
1200	2.5	2.5	2.5	2.5	2.5	4.5	2.5	2.5	4.5	6	2.5	2.5	4.5	8	2.5	4.5	4.5	8	2.5	4.5	6	8	8
1400	2.5	4.5	2.5	2.5	4.5	6	2.5	2.5	4.5	8	2.5	4.5	6	8	2.5	4.5	6	8	4.5	6	8	8	8
1600	2.5	4.5	2.5	2.5	4.5	6	2.5	4.5	6	8	2.5	4.5	6	8	4.5	6	8	8	4.5	8	8	8	8
1800	4.5	6	2.5	4.5	4.5	8	2.5	4.5	6	8	4.5	6	8	8	4.5	6	8	8	6	8	8	8	8
2000	4.5	6	2.5	4.5	6	8	4.5	4.5	8	8	4.5	6	8	8	4.5	8	8	8	6	8	8	8	8

# VALVE INSERT: FACTORY PRESETTINGS

## PLANAR 8

Steirad BV/PLZ/0004/EO06

Height	300				400				500				600				700				900			
	11	21	22	33	11	21	22	33	11	21	22	33	11	21	22	33	11	21	22	33	11	21	22	33
400	5.5	5.5	5.5	5.5	5.5	5.5	5.5	5.5	5.5	5.5	5.5	2.5	5.5	5.5	5.5	2.5	5.5	5.5	2.5	2.5	5.5	5.5	2.5	2.5
500	5.5	5.5	5.5	5.5	5.5	5.5	5.5	2.5	5.5	5.5	5.5	2.5	5.5	5.5	2.5	2.5	5.5	5.5	2.5	2.5	5.5	2.5	2.5	4.5
600	5.5	5.5	5.5	2.5	5.5	5.5	5.5	2.5	5.5	5.5	2.5	2.5	5.5	2.5	2.5	2.5	5.5	2.5	2.5	4.5	2.5	2.5	2.5	4.5
700	5.5	5.5	5.5	2.5	5.5	5.5	2.5	2.5	5.5	2.5	2.5	2.5	5.5	2.5	2.5	4.5	2.5	2.5	2.5	4.5	2.5	2.5	4.5	6
800	5.5	5.5	2.5	2.5	5.5	5.5	2.5	2.5	5.5	2.5	2.5	4.5	2.5	2.5	2.5	4.5	2.5	2.5	2.5	4.5	2.5	2.5	4.5	8
900	5.5	5.5	2.5	2.5	5.5	2.5	2.5	2.5	5.5	2.5	2.5	4.5	2.5	2.5	2.5	4.5	2.5	2.5	4.5	6	2.5	4.5	4.5	8
1000	5.5	5.5	2.5	2.5	5.5	2.5	2.5	4.5	2.5	2.5	2.5	4.5	2.5	2.5	4.5	6	2.5	2.5	4.5	8	2.5	4.5	6	8
1100	5.5	2.5	2.5	2.5	5.5	2.5	2.5	4.5	2.5	2.5	4.5	6	2.5	2.5	4.5	8	2.5	4.5	4.5	8	2.5	4.5	6	8
1200	5.5	2.5	2.5	4.5	2.5	2.5	2.5	4.5	2.5	2.5	4.5	6	2.5	2.5	4.5	8	2.5	4.5	6	8	2.5	4.5	8	8
1400	5.5	2.5	2.5	4.5	2.5	2.5	4.5	6	2.5	2.5	4.5	8	2.5	4.5	6	8	2.5	4.5	8	8	4.5	6	8	8
1600		2.5	2.5	6	2.5	2.5	4.5	8	2.5	4.5	6	8	2.5	4.5	8	8	4.5	6	8	8	4.5	8	8	8
1800		2.5	4.5	6	2.5	4.5	4.5	8	2.5	4.5	6	8	4.5	6	8	8	4.5	6	8	8	6	8	8	8
2000		2.5	4.5	8	2.5	4.5	6	8	4.5	4.5	8	8	4.5	6	8	8	4.5	8	8	8	6	8	8	8
2200		4.5	4.5	8		4.5	8	8	4.5	6	8	8	4.5	8	8	8								
2400		4.5	6	8		4.5	8	8	4.5	6	8	8	6	8	8	8								
2600			6				8				8				8									
2800			8				8				8				8									
3000			8				8				8				8									

## PLANAR STYLE 8

Steirad BV/PLZ/0004/EO06

Height	300		400				500				600				700				900			
	22	33	11	21	22	33	11	21	22	33	11	21	22	33	11	21	22	33	11	21	22	33
400							5.5	5.5	5.5	2.5	5.5	5.5	5.5	2.5	5.5	5.5	5.5	2.5	5.5	5.5	2.5	2.5
500	5.5	5.5	5.5	5.5	5.5	2.5	5.5	5.5	5.5	2.5	5.5	5.5	2.5	2.5	5.5	5.5	2.5	2.5	5.5	2.5	2.5	2.5
600			5.5	5.5	5.5	2.5	5.5	5.5	2.5	2.5	5.5	2.5	2.5	2.5	5.5	2.5	2.5	4.5	5.5	2.5	2.5	4.5
700			5.5	5.5	2.5	2.5	5.5	2.5	2.5	2.5	5.5	2.5	2.5	4.5	5.5	2.5	2.5	4.5	2.5	2.5	2.5	4.5
800	5.5	2.5	5.5	5.5	2.5	2.5	5.5	2.5	2.5	4.5	5.5	2.5	2.5	4.5	2.5	2.5	2.5	4.5	2.5	2.5	4.5	6
900	2.5	2.5	5.5	2.5	2.5	2.5	5.5	2.5	2.5	4.5	2.5	2.5	2.5	4.5	2.5	2.5	4.5	6	2.5	2.5	4.5	8
1000	2.5	2.5	5.5	2.5	2.5	4.5	2.5	2.5	2.5	4.5	2.5	2.5	4.5	6	2.5	2.5	4.5	6	2.5	4.5	4.5	8
1200	2.5	4.5	2.5	2.5	2.5	4.5	2.5	2.5	4.5	6	2.5	2.5	4.5	8	2.5	4.5	6	8	2.5	4.5	8	8
1400	2.5	4.5	2.5	2.5	4.5	6	2.5	2.5	4.5	8	2.5	2.5	4.5	8	2.5	4.5	6	8	4.5	6	8	8
1600	2.5	4.5	2.5	2.5	4.5	8	2.5	4.5	6	8	2.5	4.5	8	8	4.5	6	8	8	4.5	8	8	8
1800	4.5	6	2.5	4.5	4.5	8	2.5	4.5	6	8	4.5	6	8	8	4.5	6	8	8	4.5	8	8	8
2000	4.5	8	2.5	4.5	6	8	2.5	4.5	8	8	2.5	4.5	8	8	4.5	8	8	8	6	8	8	8

## NOVELLO 8

Steirad BV/PLZ/0004/EO06

Height	300				400				500				600				700				900				
	11	21	22	33	11	21	22	33	11	21	22	33	11	21	22	33	11	21	22	33	11	21	22	33	
400	5.5	5.5	5.5	5.5	5.5	5.5	5.5	5.5	5.5	5.5	5.5	2.5	5.5	5.5	5.5	2.5	5.5	5.5	2.5	2.5	5.5	2.5	2.5	2.5	
500	5.5	5.5	5.5	5.5	5.5	5.5	5.5	2.5	5.5	5.5	2.5	2.5	5.5	5.5	2.5	2.5	5.5	2.5	2.5	2.5	5.5	2.5	2.5	4.5	
600	5.5	5.5	5.5	2.5	5.5	5.5	2.5	2.5	5.5	5.5	2.5	2.5	5.5	2.5	2.5	2.5	5.5	2.5	2.5	4.5	2.5	2.5	2.5	4.5	
700	5.5	5.5	5.5	2.5	5.5	5.5	2.5	2.5	5.5	2.5	2.5	2.5	5.5	2.5	2.5	4.5	2.5	2.5	2.5	4.5	2.5	2.5	4.5	6	
800	5.5	5.5	2.5	2.5	5.5	5.5	2.5	2.5	5.5	2.5	2.5	4.5	2.5	2.5	2.5	4.5	2.5	2.5	2.5	4.5	6	2.5	2.5	4.5	8
900	5.5	5.5	2.5	2.5	5.5	2.5	2.5	4.5	2.5	2.5	2.5	4.5	2.5	2.5	4.5	6	2.5	2.5	4.5	6	2.5	4.5	6	8	
1000	5.5	2.5	2.5	2.5	5.5	2.5	2.5	4.5	2.5	2.5	2.5	4.5	2.5	2.5	4.5	6	2.5	4.5	4.5	8	2.5	4.5	6	8	
1100	5.5	2.5	2.5	2.5	5.5	2.5	2.5	4.5	2.5	2.5	4.5	6	2.5	2.5	4.5	8	2.5	4.5	6	8	2.5	4.5	8	8	
1200	5.5	2.5	2.5	4.5	2.5	2.5	2.5	4.5	2.5	2.5	4.5	6	2.5	2.5	4.5	8	2.5	4.5	6	8	4.5	6	8	8	
1400	5.5	2.5	2.5	4.5	2.5	2.5	4.5	6	2.5	4.5	4.5	8	2.5	4.5	6	8	4.5	4.5	8	8	4.5	8	8	8	
1600		2.5	4.5	6	2.5	4.5	4.5	8	2.5	4.5	6	8	4.5	6	8	8	4.5	6	8	8	6	8	8	8	
1800		2.5	4.5	6	2.5	4.5	6	8	2.5	4.5	8	8	4.5	6	8	8	4.5	8	8	8	6	8	8	8	
2000		2.5	4.5	8	2.5	4.5	6	8	4.5	6	8	8	4.5	8	8	8	6	8	8	8	8	8	8	8	
2200		4.5	6	8		4.5	8	8	4.5	6	8	8	6	8	8	8									
2400		4.5	6	8		6	8	8	4.5	8	8	8	6	8	8	8									
2600			6				8				8				8										
2800			8				8				8				8										
3000			8				8				8				8										

# VALVE INSERT: FACTORY PRESETTINGS

## PLANAR

Steirrad BV/PLZ00004/EO06

Height	300		400			500				600				700				900				
	Type	22	33	11	22	33	11	21	22	33	11	21	22	33	11	21	22	33	11	21	22	33
400			5.5	5.5			5.5	5.5	5.5	2.5	5.5	5.5	5.5	2.5				2.5	5.5	5.5	2.5	2.5
500	5.5	5.5		5.5	5.5		5.5	5.5	5.5	2.5	5.5	5.5	2.5	2.5	5.5	5.5	2.5	2.5	5.5	2.5	2.5	4.5
600	5.5	2.5		5.5	5.5	2.5	5.5	5.5	2.5	2.5	5.5	2.5	2.5	2.5	5.5	2.5	2.5	4.5	5.5	2.5	2.5	4.5
700	5.5	2.5		5.5	2.5		5.5	2.5	2.5	2.5	5.5	2.5	2.5	4.5	5.5	2.5	2.5	4.5	5.5	2.5	2.5	4.5
800	2.5	2.5		5.5	2.5	2.5	5.5	2.5	2.5	4.5	5.5	2.5	2.5	4.5	5.5	2.5	2.5	4.5	5.5	2.5	2.5	4.5
900	2.5	2.5		5.5	2.5	2.5	5.5	2.5	2.5	4.5	5.5	2.5	2.5	4.5	5.5	2.5	2.5	4.5	5.5	2.5	2.5	4.5
1000	2.5	2.5		5.5	2.5	4.5	5.5	2.5	2.5	4.5	5.5	2.5	2.5	4.5	5.5	2.5	2.5	4.5	5.5	2.5	2.5	4.5
1100	2.5	2.5		5.5	2.5	4.5	5.5	2.5	2.5	4.5	5.5	2.5	2.5	4.5	5.5	2.5	2.5	4.5	5.5	2.5	2.5	4.5
1200	2.5	4.5		5.5	2.5	4.5	5.5	2.5	2.5	4.5	5.5	2.5	2.5	4.5	5.5	2.5	2.5	4.5	5.5	2.5	2.5	4.5
1400	2.5	4.5		5.5	2.5	4.5	5.5	2.5	2.5	4.5	5.5	2.5	2.5	4.5	5.5	2.5	2.5	4.5	5.5	2.5	2.5	4.5
1600	2.5	6		5.5	2.5	4.5	5.5	2.5	2.5	4.5	5.5	2.5	2.5	4.5	5.5	2.5	2.5	4.5	5.5	2.5	2.5	4.5
1800	4.5	6		5.5	2.5	4.5	5.5	2.5	2.5	4.5	5.5	2.5	2.5	4.5	5.5	2.5	2.5	4.5	5.5	2.5	2.5	4.5
2000	4.5	8		5.5	2.5	4.5	5.5	2.5	2.5	4.5	5.5	2.5	2.5	4.5	5.5	2.5	2.5	4.5	5.5	2.5	2.5	4.5
2200	4.5	8		5.5	2.5	4.5	5.5	2.5	2.5	4.5	5.5	2.5	2.5	4.5	5.5	2.5	2.5	4.5	5.5	2.5	2.5	4.5
2400	6	8		5.5	2.5	4.5	5.5	2.5	2.5	4.5	5.5	2.5	2.5	4.5	5.5	2.5	2.5	4.5	5.5	2.5	2.5	4.5
2600	6	8		5.5	2.5	4.5	5.5	2.5	2.5	4.5	5.5	2.5	2.5	4.5	5.5	2.5	2.5	4.5	5.5	2.5	2.5	4.5
2800	8	8		5.5	2.5	4.5	5.5	2.5	2.5	4.5	5.5	2.5	2.5	4.5	5.5	2.5	2.5	4.5	5.5	2.5	2.5	4.5
3000	8	8		5.5	2.5	4.5	5.5	2.5	2.5	4.5	5.5	2.5	2.5	4.5	5.5	2.5	2.5	4.5	5.5	2.5	2.5	4.5

## NOVELLO

Steirrad BV/PLZ00004/EO06

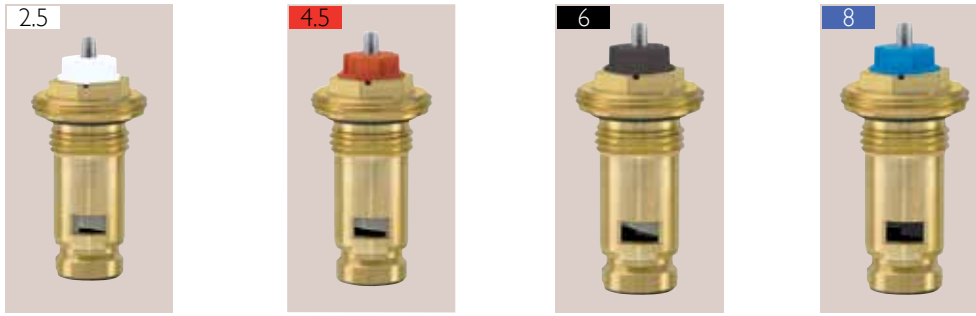
Height	300				400				500				600				700				900				
	Type	11	21	22	33	11	21	22	33	11	21	22	33	11	21	22	33	11	21	22	33	11	21	22	33
400	5.5	5.5	5.5	5.5	5.5	5.5	5.5	5.5	5.5	5.5	5.5	2.5	5.5	5.5	5.5	2.5	5.5	5.5	2.5	2.5	5.5	2.5	2.5	2.5	2.5
500	5.5	5.5	5.5	5.5	5.5	5.5	5.5	5.5	2.5	5.5	5.5	2.5	2.5	5.5	5.5	2.5	2.5	5.5	2.5	2.5	4.5	5.5	2.5	2.5	4.5
600	5.5	5.5	5.5	2.5	5.5	5.5	2.5	2.5	5.5	5.5	2.5	2.5	5.5	2.5	2.5	4.5	5.5	2.5	2.5	4.5	5.5	2.5	2.5	4.5	
700	5.5	5.5	5.5	2.5	5.5	5.5	2.5	2.5	5.5	2.5	2.5	2.5	5.5	2.5	2.5	4.5	5.5	2.5	2.5	4.5	5.5	2.5	2.5	4.5	
800	5.5	5.5	2.5	2.5	5.5	5.5	2.5	2.5	5.5	2.5	2.5	4.5	5.5	2.5	2.5	4.5	5.5	2.5	2.5	4.5	5.5	2.5	2.5	4.5	
900	5.5	5.5	2.5	2.5	5.5	5.5	2.5	2.5	4.5	5.5	2.5	2.5	4.5	5.5	2.5	2.5	4.5	5.5	2.5	2.5	4.5	5.5	2.5	4.5	
1000	5.5	2.5	2.5	2.5	5.5	5.5	2.5	2.5	4.5	5.5	2.5	2.5	4.5	5.5	2.5	2.5	4.5	5.5	2.5	2.5	4.5	5.5	2.5	4.5	
1100	5.5	2.5	2.5	2.5	5.5	5.5	2.5	2.5	4.5	5.5	2.5	2.5	4.5	5.5	2.5	2.5	4.5	5.5	2.5	2.5	4.5	5.5	2.5	4.5	
1200	5.5	2.5	2.5	4.5	5.5	5.5	2.5	2.5	4.5	5.5	2.5	2.5	4.5	5.5	2.5	2.5	4.5	5.5	2.5	2.5	4.5	5.5	2.5	4.5	
1400	5.5	2.5	2.5	4.5	5.5	5.5	2.5	2.5	4.5	5.5	2.5	2.5	4.5	5.5	2.5	2.5	4.5	5.5	2.5	2.5	4.5	5.5	2.5	4.5	
1600		2.5	4.5	6	5.5	5.5	2.5	2.5	4.5	5.5	2.5	2.5	4.5	5.5	2.5	2.5	4.5	5.5	2.5	2.5	4.5	5.5	2.5	4.5	
1800		2.5	4.5	6	5.5	5.5	2.5	2.5	4.5	5.5	2.5	2.5	4.5	5.5	2.5	2.5	4.5	5.5	2.5	2.5	4.5	5.5	2.5	4.5	
2000		2.5	4.5	8	5.5	5.5	2.5	2.5	4.5	5.5	2.5	2.5	4.5	5.5	2.5	2.5	4.5	5.5	2.5	2.5	4.5	5.5	2.5	4.5	
2200		4.5	6	8	5.5	5.5	2.5	2.5	4.5	5.5	2.5	2.5	4.5	5.5	2.5	2.5	4.5	5.5	2.5	2.5	4.5	5.5	2.5	4.5	
2400		4.5	6	8	5.5	5.5	2.5	2.5	4.5	5.5	2.5	2.5	4.5	5.5	2.5	2.5	4.5	5.5	2.5	2.5	4.5	5.5	2.5	4.5	
2600			6	8	5.5	5.5	2.5	2.5	4.5	5.5	2.5	2.5	4.5	5.5	2.5	2.5	4.5	5.5	2.5	2.5	4.5	5.5	2.5	4.5	
2800			8	8	5.5	5.5	2.5	2.5	4.5	5.5	2.5	2.5	4.5	5.5	2.5	2.5	4.5	5.5	2.5	2.5	4.5	5.5	2.5	4.5	
3000			8	8	5.5	5.5	2.5	2.5	4.5	5.5	2.5	2.5	4.5	5.5	2.5	2.5	4.5	5.5	2.5	2.5	4.5	5.5	2.5	4.5	

## HYGIENE PLANAR 8

Steirrad BV/PLZ00004/EO06

Height	300			400			500			600			700			900					
	Type	10	20	30	10	20	30	10	20	30	10	20	30	10	20	30	10	20	30		
400			5.5	5.5			5.5	5.5			5.5	5.5			5.5	5.5			5.5	2.5	
500	5.5	5.5	5.5		5.5	5.5	5.5			5.5	5.5	5.5			5.5	5.5	2.5		5.5	2.5	2.5
600	5.5	5.5	5.5		5.5	5.5	5.5			5.5	5.5	5.5			5.5	5.5	2.5		5.5	2.5	2.5
700	5.5	5.5	5.5		5.5	5.5	5.5			5.5	5.5	2.5			5.5	2.5	2.5		5.5	2.5	2.5
800	5.5	5.5	5.5		5.5	5.5	2.5			5.5	5.5	2.5			5.5	2.5	2.5		5.5	2.5	4.5
900	5.5	5.5	5.5		5.5	5.5	2.5			5.5	2.5	2.5			5.5	2.5	2.5		5.5	2.5	4.5
1000	5.5	5.5	2.5		5.5	5.5	2.5			5.5	2.5	2.5			5.5	2.5	4.5		5.5	2.5	4.5
1100	5.5	5.5	2.5		5.5	2.5	2.5			5.5	2.5	2.5			5.5	2.5	4.5		5.5	2.5	6
1200	5.5	5.5	2.5		5.5	2.5	2.5			5.5	2.5	2.5			5.5	2.5	4.5		5.5	2.5	6
1400	5.5	2.5	2.5		5.5	2.5	2.5			5.5	2.5	4.5			2.5	2.5	6		2.5	4.5	8
1600		2.5	2.5		5.5	2.5	4.5			2.5	2.5	4.5			2.5	4.5	6		2.5	4.5	8
1800		2.5	2.5		5.5	2.5	4.5			2.5	2.5	4.5			2.5	4.5	8		2.5	6	8
2000		2.5	4.5		2.5	2.5	4.5			2.5	4.5	6			2.5	4.5	8		2.5	6	8
2200		2.5	4.5		2.5	2.5	6			2.5	4.5	8			2.5	6	8		4.5	8	8
2400		2.5	4.5			4.5	6			2.5	4.5	8									
2600		2.5				4.5					4.5										
2800		2.5				4.5					6										
3000		4.5				4.5					6										

# VALVE INSERT: SETTING READJUSTEMENT (VALVE INSERT 4368)



Max. 1 K P-band 4368

mass flow radiator $\dot{Q}$ [W]	200	250	300	400	500	600	700	800	900	1000	1200	1400	1600	1800	2000	2200	2400	2600	2800	3000	3200	3400	3600	3800	4000	4800	5300	6500	6800	7200																						
$\Delta t$ [K] $\Delta p$ [mbar]	preset value																																																			
10	50	1	1	1	2	3	3	4	5	6	7																																									
	100	1	1	1	1	2	2	3	3	4	4	5	7																																							
	150	1	1	1	1	2	2	2	3	3	4	5	6	8																																						
15	50	1	1	1	1	2	2	2	3	3	4	5	6																																							
	100	1	1	1	1	2	2	2	2	3	4	5	5	6	8																																					
	150	1	1	1	1	2	2	2	3	3	4	5	5	6	7																																					
20	50	1	1	1	1	2	2	2	3	3	4	5	6	7																																						
	100	1	1	1	1	2	2	2	3	3	4	4	5	5	6	7																																				
	150	1	1	1	1	1	1	2	2	2	3	3	4	4	5	5	6	6	7	8																																
40	50						1	1	1	1	1	1	2	2	2	3	3	3	4	4	5	5	5	6	6	7																										
	100						1	1	1	1	1	1	2	2	2	2	2	3	3	3	3	4	4	4	5	6																										
	150						1	1	1	1	1	1	1	1	1	1	1	2	2	2	2	2	2	2	3	3	3	4	5	6	7	8																				

$\dot{Q}$  = heat output       $\Delta p$  = pressure drop       $\Delta t$  = temperature spread      100 mbar = 10kPa = 1mWS

Max. 2 K P-band 4368

mass flow radiator $\dot{Q}$ [W]	200	250	300	400	500	600	700	800	900	1000	1200	1400	1600	1800	2000	2200	2400	2600	2800	3000	3200	3400	3600	3800	4000	4800	5300	6500	6800	7200																						
$\Delta t$ [K] $\Delta p$ [mbar]	preset value																																																			
10	50	1	1	1	2	2	3	3	3	4	5	5	6	7	8																																					
	100	1	1	1	1	2	2	2	2	3	3	4	5	5	6	6	7	7	8																																	
	150	1	1	1	1	2	2	2	2	3	3	4	4	5	5	6	6	7	7	8	8																															
15	50	1	1	1	1	2	2	2	3	3	3	4	5	5	6	6	7	8	8																																	
	100	1	1	1	1	1	2	2	2	2	3	3	4	4	5	5	6	6	6	7	7	7	8	8																												
	150	1	1	1	1	2	2	2	2	3	3	3	4	4	5	5	5	6	6	6	6	7	8																													
20	50	1	1	1	1	2	2	2	2	3	3	3	4	5	5	5	6	6	7	7	7	8	8																													
	100	1	1	1	1	1	2	2	2	2	3	3	3	4	4	5	5	5	5	6	6	6	7	8																												
	150	1	1	1	1	1	1	2	2	2	2	3	3	3	3	4	4	4	4	5	5	5	6	7	8																											
40	50						1	1	1	1	1	1	2	2	2	2	2	3	3	3	3	3	4	4	4	5	5	6	7	7	8																					
	100						1	1	1	1	1	1	1	2	2	2	2	2	2	2	3	3	3	3	4	4	5	5	6																							
	150						1	1	1	1	1	1	1	1	1	1	1	1	2	2	2	2	2	2	2	2	3	3	3	4	4	5																				

$\dot{Q}$  = heat output       $\Delta p$  = pressure drop       $\Delta t$  = temperature spread      100 mbar = 10kPa = 1mWS

**Solution:**

Novello ECO T22 500 x 1400 to operate at:

- 60/40/20°C
- Pressure drop  $\Delta p$  = 50mbar

Factory-fitted insert:  
Heat output at 60/40/20°C:  
 $\Delta t$  =

Red (4368, preset at 4,5).  
1008 watt  
20°C (=60-40)

According to table above:

- P-band 1K: readjust to position 3.
- P-band 2K: readjust to position 2.

# VALVE INSERT: SETTING READJUSTEMENT (VALVE INSERT 4369)



Max. 1 K P-band 4369

mass flow radiator $\dot{Q}$ [W]	200	250	300	400	500	600	700	800	900	1000	1200	1400	1600	1800	2000	2200	2400	2600	2800	3000	3200	3400	3600	3800	4000	4800	5300	6500	6800	7200		
$\Delta t$ [K]   $\Delta p$ [mbar]	preset value																															
10	50	4	5	7																												
	100	2	3	5	6	8																										
	150	1	2	3	5	7	8																									
15	50	2	3	4	6	8																										
	100	1	1	2	4	5	6	8																								
	150	1	1	1	2	4	5	6	7	8																						
20	50	1	1	2	4	5	7	8																								
	100	1	1	1	2	3	5	5	6	8	8																					
	150	1	1	1	1	2	3	4	5	5	7	8																				
40	50	1	1	1	1	2	3	4	5	5	7	8																				
	100	1	1	1	1	1	1	2	3	3	5	5	6	8	8																	
	150	1	1	1	1	1	1	1	2	2	3	4	5	5	7	8	8															

$\dot{Q}$  = heat output       $\Delta p$  = pressure drop       $\Delta t$  = temperature spread      100 mbar = 10kPa = 1mWS

Max. 2 K P-band 4369

mass flow radiator $\dot{Q}$ [W]	200	250	300	400	500	600	700	800	900	1000	1200	1400	1600	1800	2000	2200	2400	2600	2800	3000	3200	3400	3600	3800	4000	4800	5300	6500	6800	7200		
$\Delta t$ [K]   $\Delta p$ [mbar]	preset value																															
10	50	3	5	6	7	8	8																									
	100	1	3	4	5	6	7	8	8	8																						
	150	1	1	3	4	6	6	7	7	8	8																					
15	50	1	3	3	5	6	7	7	8	8	8																					
	100	1	1	1	3	5	5	6	6	7	8	8	8																			
	150	1	1	1	1	3	4	5	6	6	6	7	8	8																		
20	50	1	1	1	3	5	6	6	7	7	8	8																				
	100	1	1	1	1	3	4	5	5	6	6	7	8	8	8																	
	150	1	1	1	1	1	3	3	4	5	6	6	7	7	8	8	8															
40	50	1	1	1	1	1	3	3	4	5	6	6	7	7	8	8	8	8														
	100	1	1	1	1	1	1	1	3	3	4	5	5	6	6	6	7	7	8	8	8	8	8	8	8	8	8	8	8	8	8	
	150	1	1	1	1	1	1	1	1	1	1	3	3	4	5	6	6	6	7	7	7	7	8	8	8	8	8	8	8	8	8	

$\dot{Q}$  = heat output       $\Delta p$  = pressure drop       $\Delta t$  = temperature spread      100 mbar = 10kPa = 1mWS

Solution:

Novello ECOTII 900 x 500 to operate at:      - 80/70/20°C  
 - Pressure drop  $\Delta p$  = 50mbar

Factory-fitted insert:      Yellow (4369, preset at 5,5).  
 Heat output at 80/70/20°C:      769 watt  
 $\Delta t$  =      10°C (=80-70)

According to table above:      - P-band 1K: no setting possible.  
    - P-band 2K: no setting possible.

Hence the insert needs to be replaced with a white, red, black or blue insert (4368) and readjusted:  
    - P-band 1K: readjust to position 5.  
    - P-band 2K: readjust to position 3.

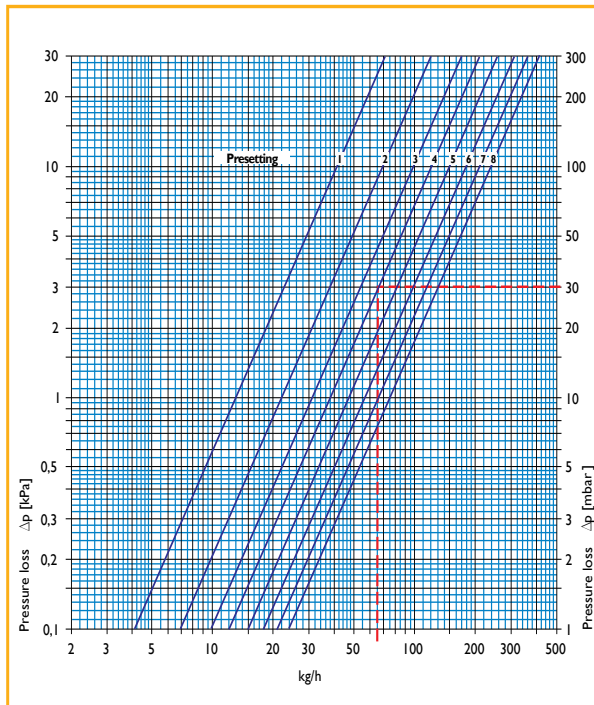
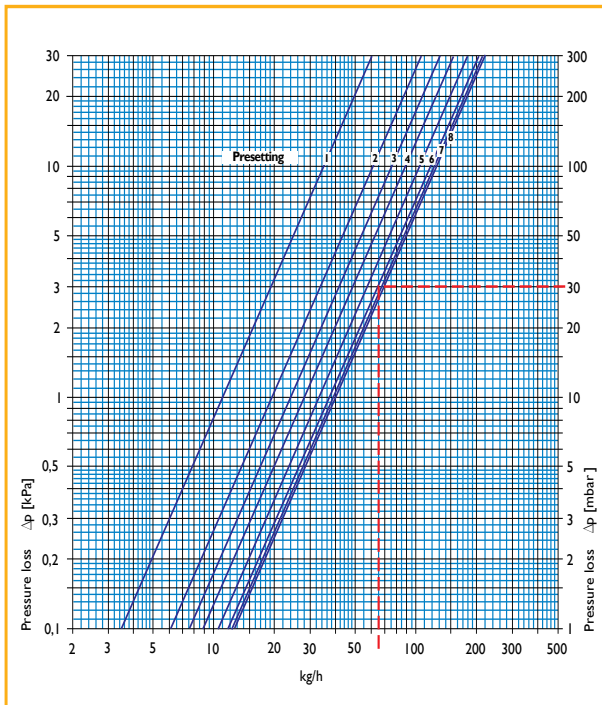
# PRESSURE DROP

valve radiators without connection accessories  
with normal setting valve insert (Art. N°. 4368)

p-band [xp] 1,0 K

Information supplied by Heimeier

p-band [xp] 2,0 K



Radiator with integrated valves without connection fitting		Presetting Thermostatic insert								Permissible operating temperature TB* [°C]	Permissible operating pressure PB [bar]	Permissible differential pressure at which the valve still closes Δp [bar]			
		1	2	3	4	5	6	7	8			Therm. head	EMO T/NC EMOtec/NC EMO I/3 EMO EIB/LON	EMO T/NO EMOtec/NO	
Thermostatic insert and thermostatic head	p-band xp 1,0 K	$K_v$ value [m³/h]	0,12	0,19	0,24	0,28	0,33	0,37	0,39	0,40	120	10	4,0	2,7	3,5
	p-band xp 2,0 K	$K_v$ value [m³/h]	0,13	0,22	0,31	0,38	0,47	0,57	0,66	0,75					
		$k_{vs}$ value [m³/h]	0,16	0,27	0,38	0,43	0,65	0,98	1,23	1,43					
		Flow tolerance ± [%]	40	30	25	23	17	15	12	10					

\*With protective cap or actuator 100 °C.

## Calculation example

**Target:** Setting range  
**Given:** Heat output  
Temperature spread  
Pressure loss, radiator with integrated valves

$$\begin{aligned} \dot{Q} &= 1135 \text{ W} \\ \Delta t &= 15 \text{ K (65/50 °C)} \\ \Delta p_v &= 30 \text{ mbar} \end{aligned}$$

**Solution:** Mass flow rate

$$\dot{m} = \frac{\dot{Q}}{c \cdot \Delta t} = \frac{1135}{1,163 \cdot 15} = 65 \text{ kg/h}$$

Setting range from diagram:  
At p-band 1,0 K : 6  
At p-band 2,0 K : 4



# PRESSURE DROP

valve radiators without connection accessories  
with fine setting valve insert (Art. N° 4369)

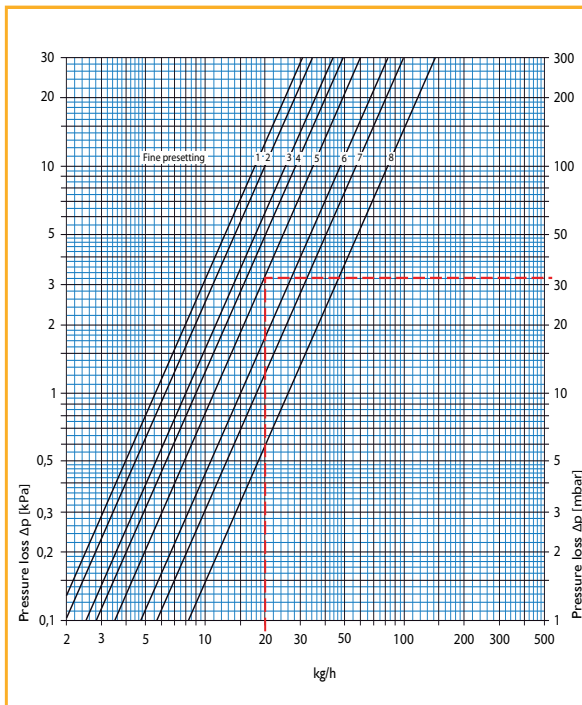
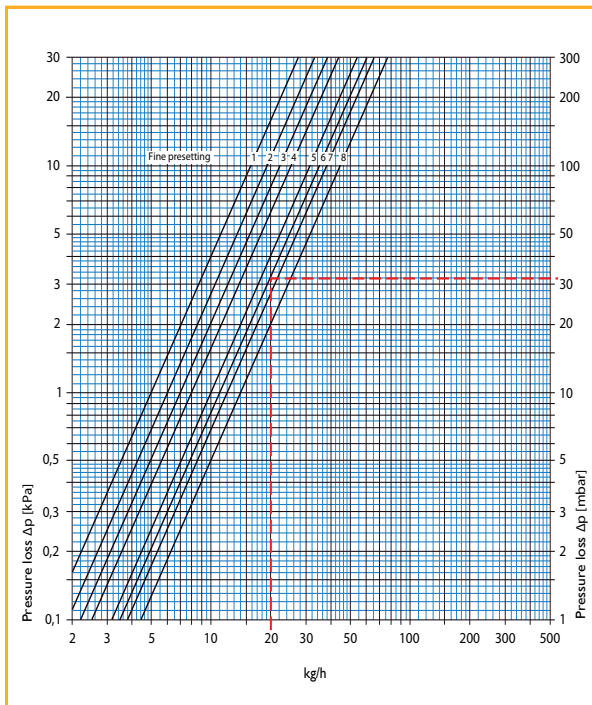
p-band [xp] 1,0 K

Information supplied by Heimeier

p-band [xp] 2,0 K



5.5



Radiator with integrated valves without connection fitting			Fine presetting								Permissible operating temperature <b>TB*</b> [°C]	Permissible operating pressure <b>PB</b> [bar]	Permissible differential pressure at which the valve still closes Δp [bar]			
			Thermostatic insert										Therm. head	EMO T/NC EMOrec/NC EMO I/β EMO EBI/LON	EMO T/NO EMOrec/NO	
Thermostatic insert and thermostatic head	p-band xp1,0 K	$K_V$ -Value [m³/h]	0,05	0,06	0,07	0,08	0,10	0,11	0,12	0,14	120	10	4,0	2,7	3,5	
	p-band xp2,0 K	$K_V$ -Value [m³/h]	0,06	0,06	0,08	0,09	0,11	0,15	0,18	0,26						
		$k_{VS}$ -Value [m³/h]	0,06	0,07	0,08	0,10	0,12	0,17	0,25	0,50						
		Flow tolerance ± [%]	42	42	37	36	35	32	30	10						

\* With protective cap or actuator 100°C

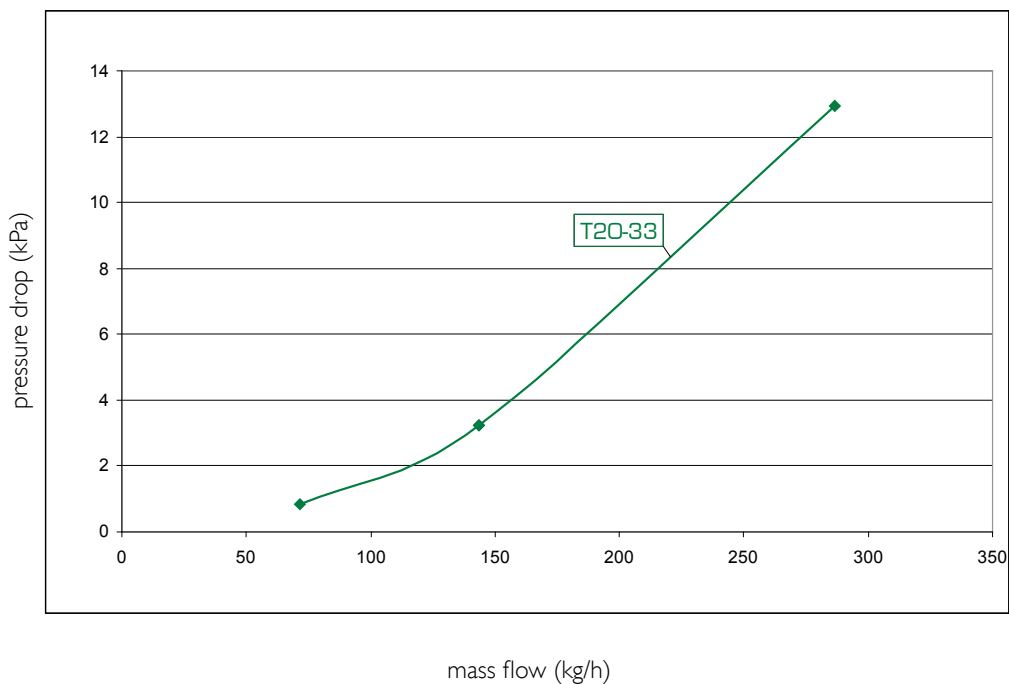
### Calculation example

<u>Target:</u>	Setting range	
<u>Given:</u>	Heat output	$\dot{Q} = 350 \text{ W}$
	Temperature spread	$\Delta t = 15 \text{ K (65/50 °C)}$
	Pressure loss, radiator, with integrated valves	$\Delta p_v = 32 \text{ mbar}$
<u>Solution:</u>	Mass flow rate	$\dot{m} = \frac{\dot{Q}}{c \cdot \Delta t} = \frac{350}{1,163 \cdot 15} = 20 \text{ kg/h}$

Setting from diagram:  
At p-band 1,0 K : 6  
At p-band 2,0 K : 5

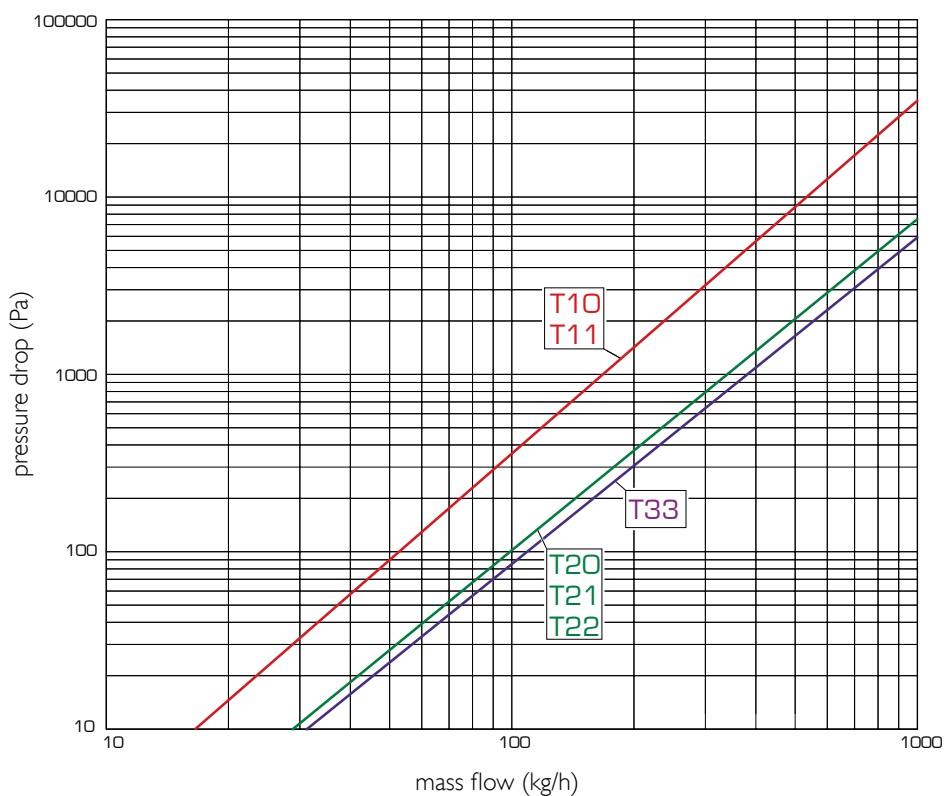
# PRESSURE DROP

Novello ECO · Hygiene ECO · Planar Slim ECO · Planar ECO  
 Planar Style ECO · ECO Galva · Hygiene ECO Galva



Graph is valid for the radiator only, so without the valve insert.

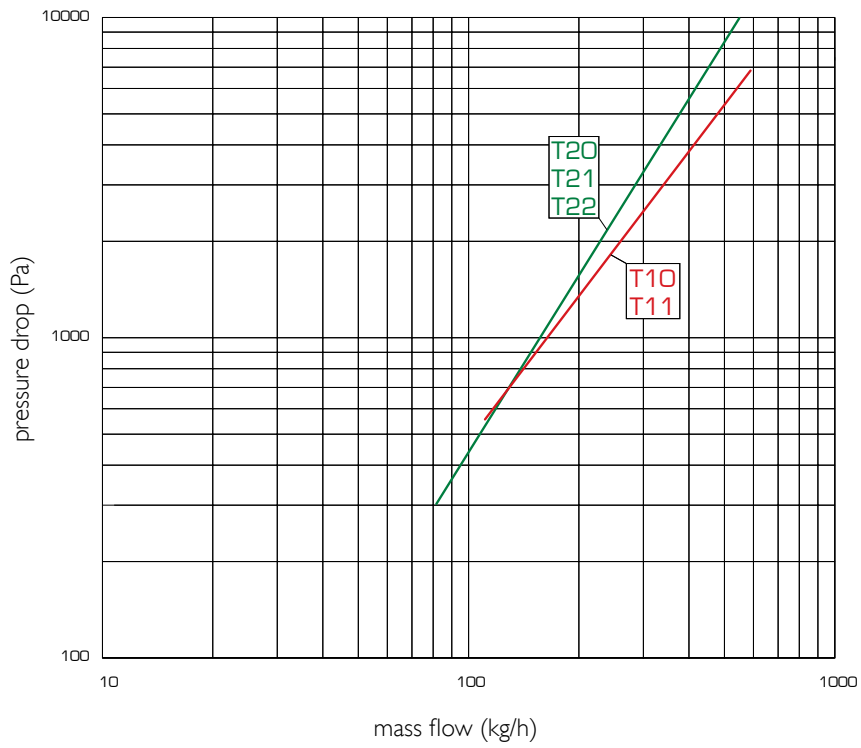
Compact VENTO · Compact Planar · Compact Style · Reno Planar · Reno · Galva · Hygiene Galva  
 Hygiene · Compact All In · Accord All In - Without valve insert: Plinth radiators · Planar VENTO  
 Planar 8 · Planar Style 8 · Hygiene Planar 8 · Planar · Novello 8 · Novello



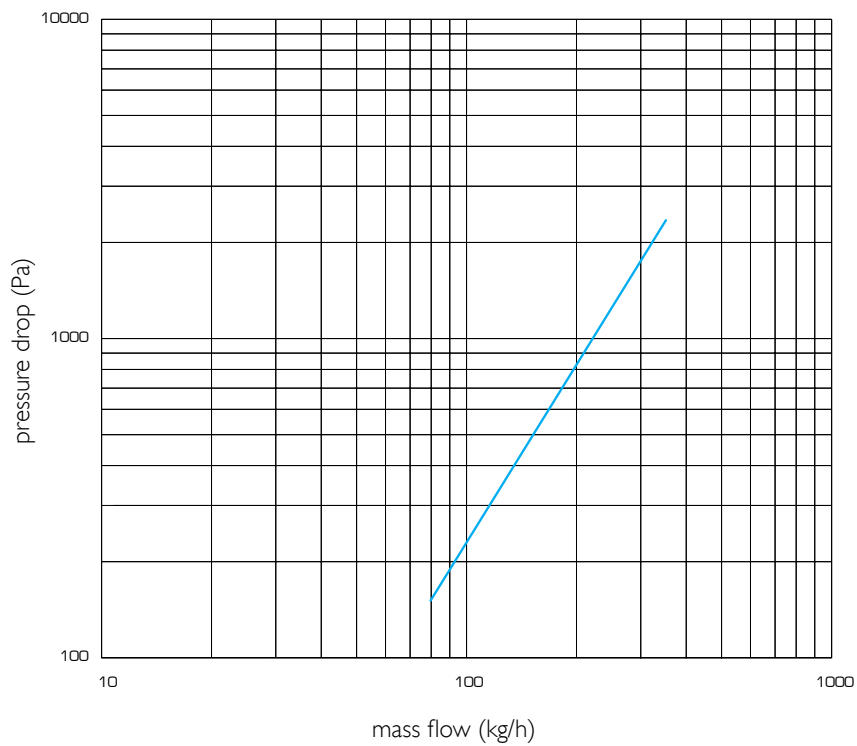
Graph is valid for the radiator only, so without the valve insert.

# PRESSURE DROP

Vertex Swing · Vertex Tango · Vertex Slim · Vertex Plan · Vertex Style · Vertical Galva · Vertex



Dahlia · Dahlia CT · Valeriana · Valeriana CT

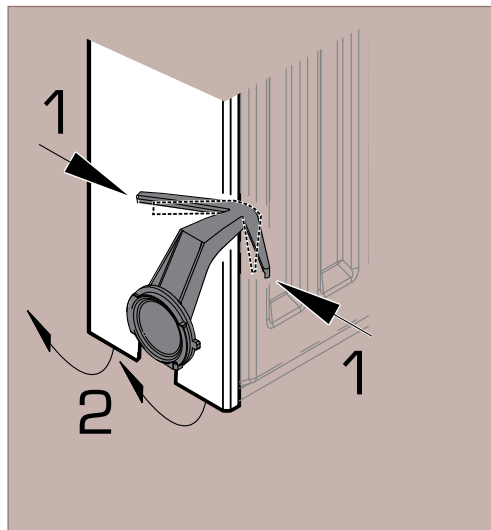


# MOUNTING & DISMOUNTING - Dressing

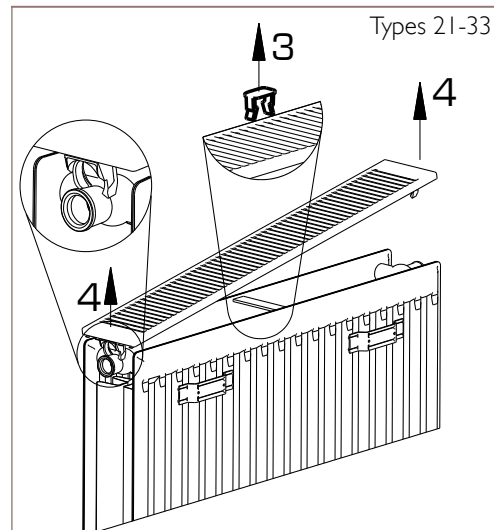
Novello ECO · Planar ECO · Planar Style ECO

Types 21/22/33

Dismounting

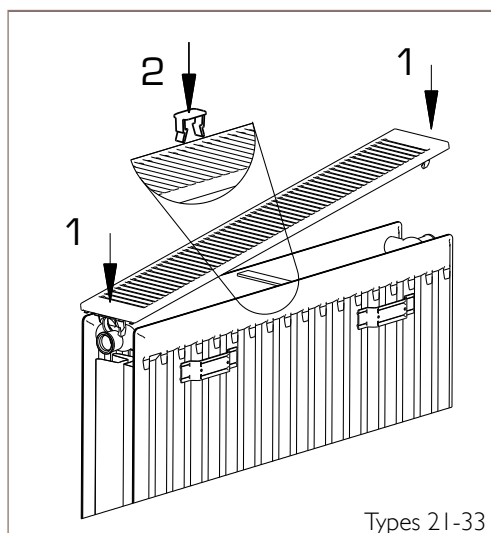


Sides



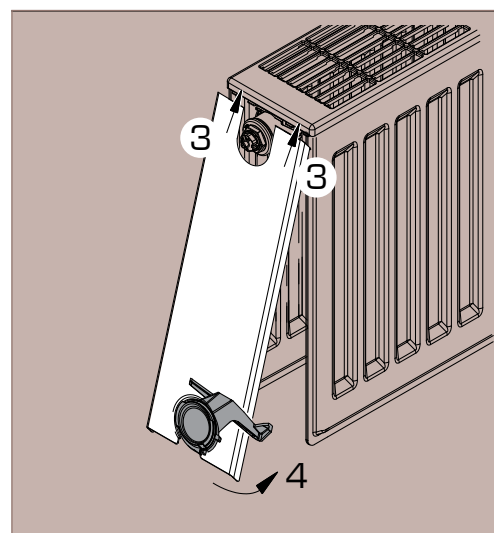
Grille

Mounting



Grille

Types 21-33

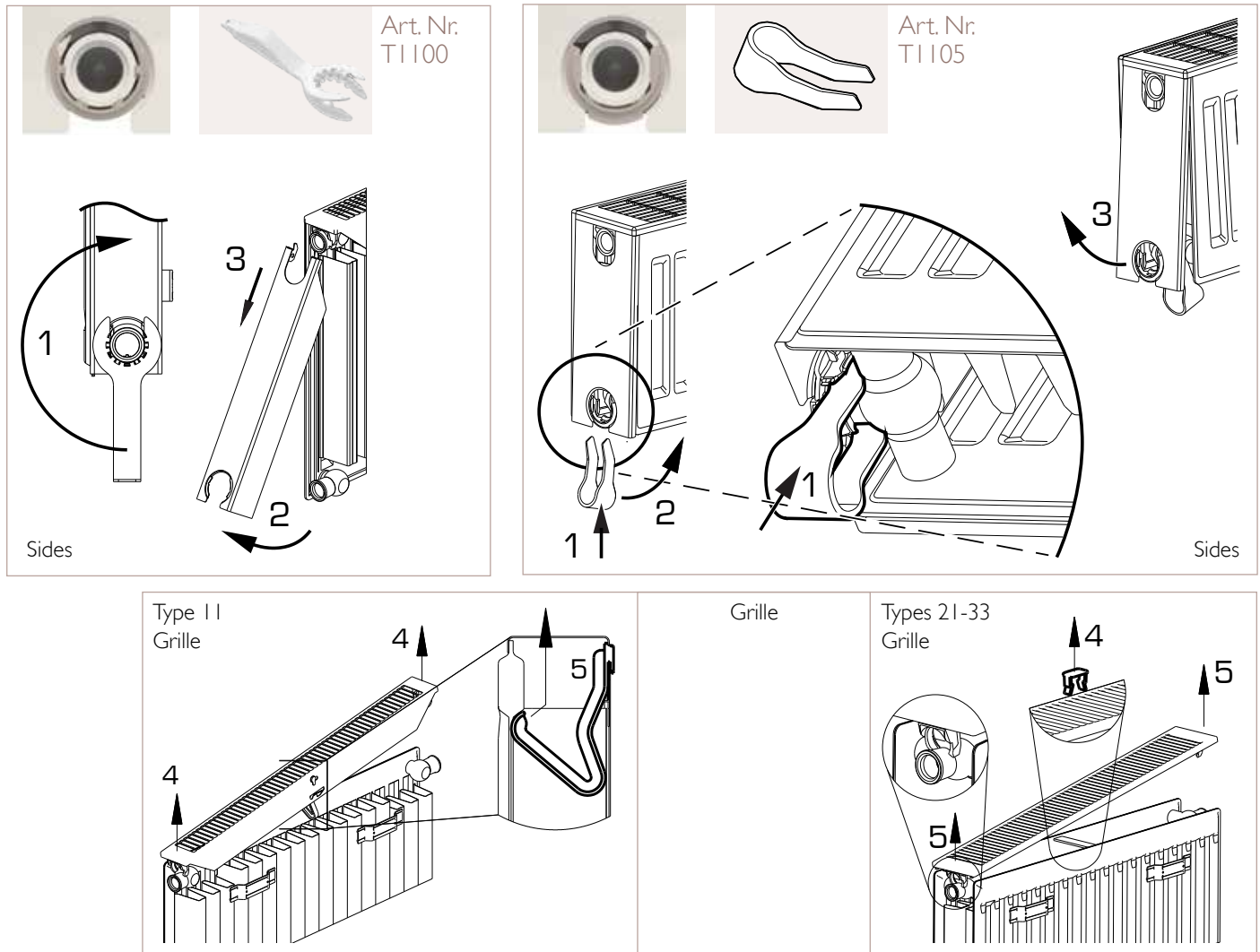


Sides

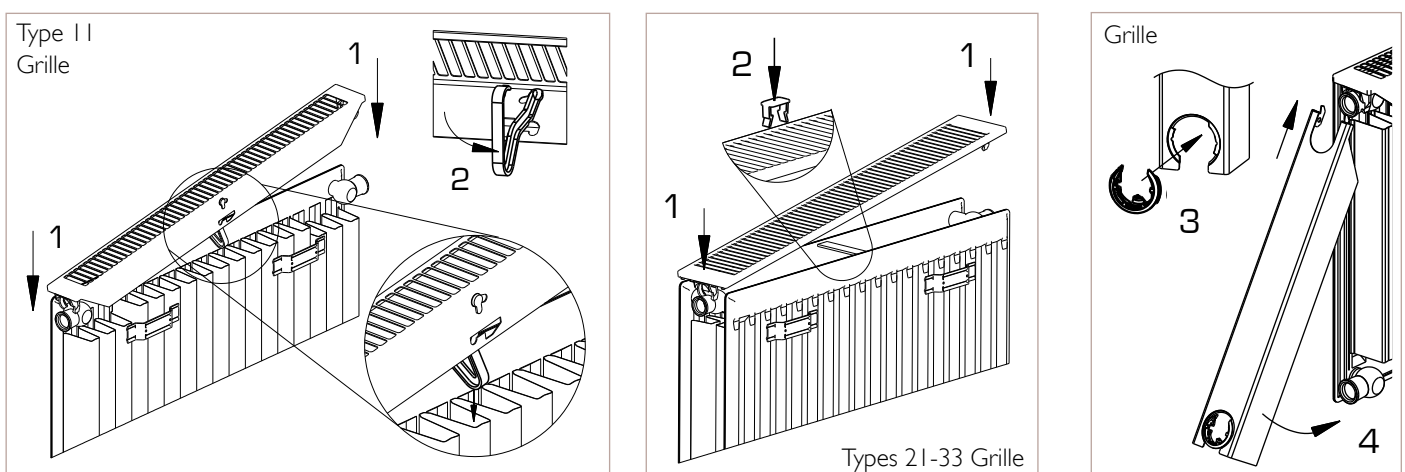
# MOUNTING & DISMOUNTING - Dressing

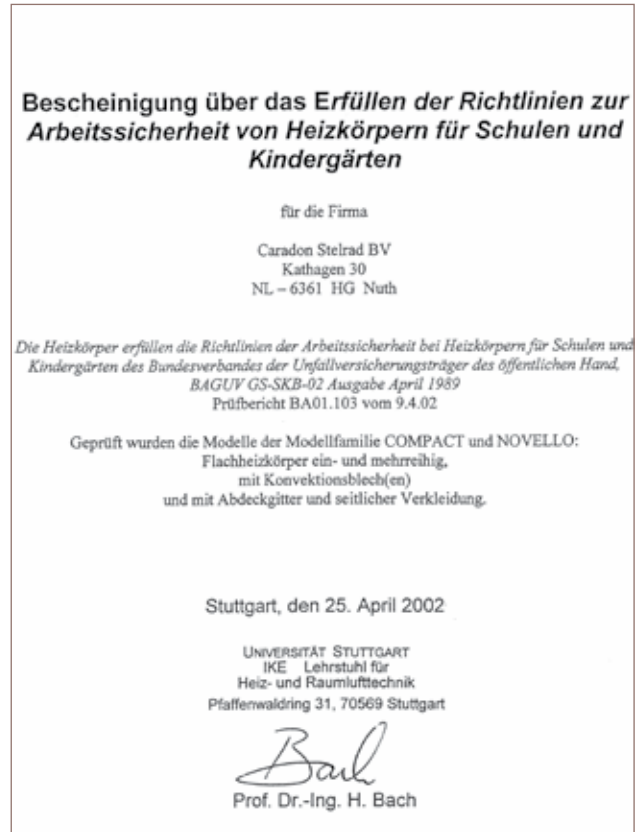
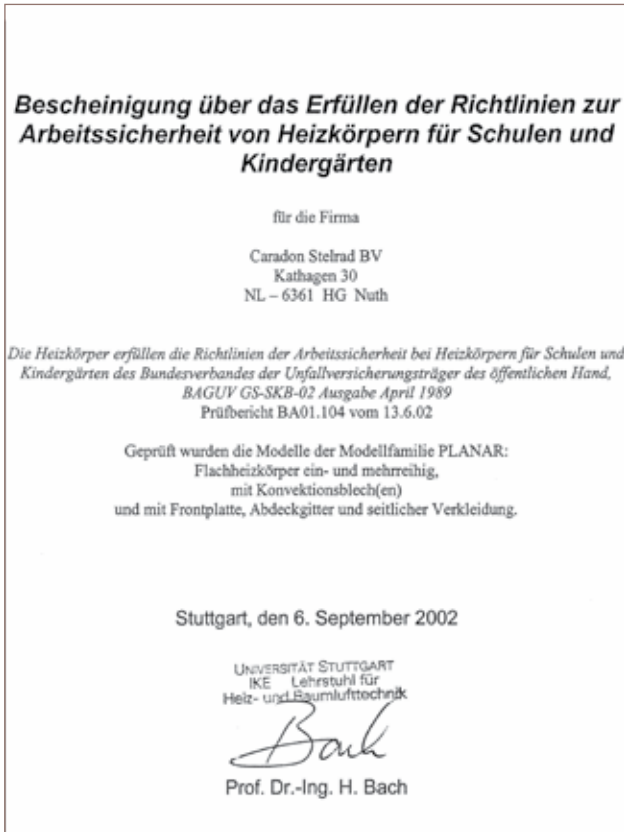
Planar VENTO · Compact VENTO · Novello ECO (Type II) · Planar ECO (Type II)  
 Planar Style ECO (Type II) · Planar 8 · Planar Style 8 · Planar · Compact Planar · Compact Style  
 Planar Plinth · Planar Style Plinth · Planar Plinth D · Planar Style Plinth D · Novello Plinth ·  
 Reno Planar · Reno · Novello 8 · Novello · Compact All In

## Dismounting



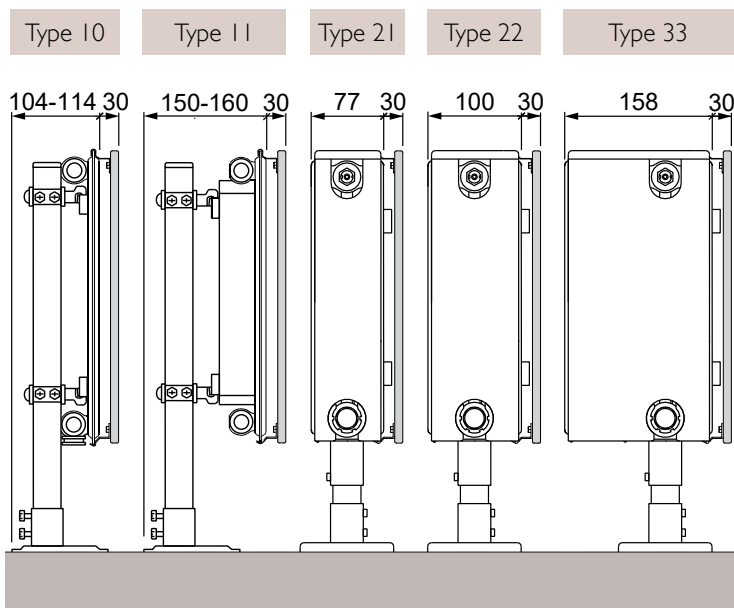
## Mounting



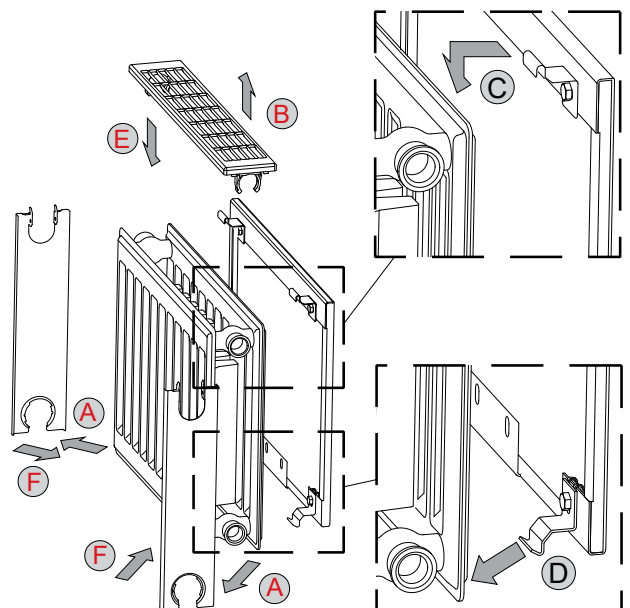


Compact All In, Novello and Planar comply to the occupational safety guidelines for schools and kindergartens of the "Bundesverband der Unfallversicherungsträger der öffentlichen Hand" (German federation of accident insurances for the public service), BAGUV GS-SKB-02 version April 1989.

## HEAT SCREEN



Colour: Stelrad white 9016 only





(Hygiene ECO - T20)



For optimal cleaning and hygiene

## EN442 COMPLIANCE

Stelrad radiators comply with EN442, the only valid and accepted radiator standard in Europe.

This standard determines:

- the method of measuring heat outputs
- the minimum steel thickness for water containing parts
- the steel quality of the radiator according to EN10130 and EN10131
- the verification of corrosion resistance of the radiator according to accepted standards

In addition, most Stelrad radiators and their production process are audited annually by internationally accepted quality labels NF and RAL.



# TEMPERATURE CORRECTION FACTORS

EN442 75/65/20°C

		Inlet temp. $t_v$ [°C]		Room temp. $t_r$ [°C]										Outlet temp. $t_R$ [°C]		
		26	24	25	30	35	40	45	50	55	60	65	70	75	80	85
90	26															
	24	4,56	2,96	2,11	1,72	1,47	1,30	1,17	1,07	0,98	0,91	0,86	0,81	0,76		
	22	3,11	2,11	1,69	1,44	1,27	1,14	1,04	0,96	0,89	0,83	0,78	0,74	0,70		
	20	2,50	1,87	1,54	1,33	1,19	1,07	0,98	0,91	0,85	0,80	0,75	0,71	0,67		
	18	2,13	1,68	1,42	1,24	1,11	1,01	0,93	0,87	0,81	0,76	0,72	0,68	0,65		
	15	1,76	1,46	1,26	1,13	1,02	0,93	0,87	0,81	0,76	0,72	0,68	0,64	0,61		
85	26															
	24	4,94	3,19	2,26	1,83	1,57	1,38	1,24	1,13	1,04	0,97	0,90	0,85			
	22	3,34	2,63	2,00	1,67	1,45	1,29	1,16	1,07	0,99	0,92	0,86	0,81			
	20	2,67	2,26	1,80	1,53	1,34	1,21	1,10	1,01	0,94	0,88	0,82	0,78			
	18	2,27	1,99	1,64	1,41	1,25	1,13	1,04	0,96	0,89	0,84	0,79	0,75			
	15	1,87	1,54	1,33	1,19	1,07	0,98	0,91	0,85	0,80	0,75	0,71	0,67			
80	26															
	24	5,38	3,45	2,44	1,97	1,68	1,47	1,32	1,20	1,11	1,03	0,96				
	22	3,61	2,83	2,15	1,78	1,54	1,37	1,24	1,13	1,05	0,97	0,91				
	20	2,87	2,42	1,93	1,63	1,43	1,28	1,16	1,07	0,99	0,93	0,87				
	18	2,42	2,13	1,75	1,50	1,33	1,20	1,10	1,01	0,94	0,88	0,83				
	15	1,99	1,64	1,41	1,25	1,13	1,04	0,96	0,89	0,84	0,79	0,75				
75	26															
	24	5,90	3,77	2,64	2,12	1,80	1,58	1,42	1,29	1,18	1,10					
	22	3,92	3,07	2,32	1,92	1,66	1,47	1,32	1,21	1,12	1,04					
	20	3,10	2,61	2,07	1,75	1,53	1,37	1,24	1,14	1,05	0,98					
	18	2,61	2,28	1,87	1,61	1,42	1,28	1,17	1,08	1,00	0,94					
	15	2,13	2,03	1,70	1,48	1,32	1,20	1,10	1,02	0,95	0,89					
70	26															
	24	6,54	4,15	2,89	2,31	1,95	1,71	1,53	1,39	1,27						
	22	4,30	3,36	2,52	2,08	1,79	1,58	1,42	1,30	1,19						
	20	3,38	2,84	2,24	1,89	1,64	1,47	1,33	1,22	1,13						
	18	2,82	2,47	2,02	1,73	1,52	1,37	1,25	1,15	1,07						
	15	2,28	2,19	1,83	1,59	1,42	1,28	1,17	1,08	1,01						
65	26															
	24	7,33	4,61	3,18	2,53	2,13	1,86	1,66	1,50							
	22	4,75	3,70	2,76	2,27	1,94	1,71	1,54	1,40							
	20	3,70	3,11	2,44	2,05	1,78	1,59	1,43	1,31							
	18	3,07	2,69	2,19	1,87	1,64	1,47	1,34	1,23							
	15	2,47	2,37	1,98	1,71	1,52	1,37	1,26	1,16							
60	26															
	24	8,32	5,20	3,55	2,80	2,36	2,05	1,82								
	22	5,32	4,13	3,06	2,50	2,13	1,87	1,68								
	20	4,10	3,44	2,69	2,24	1,94	1,73	1,56								
	18	3,38	2,96	2,39	2,03	1,78	1,60	1,45								
	15	2,69	2,19	1,87	1,64	1,47	1,34	1,23								
55	26															
	24	9,62	5,96	4,02	3,15	2,64	2,28									
	22	6,03	4,67	3,43	2,78	2,37	2,07									
	20	4,60	3,86	2,99	2,48	2,15	1,90									
	18	3,75	3,29	2,64	2,24	1,96	1,75									
	15	2,96	2,86	2,36	2,03	1,80	1,62									
50	26															
	24	11,38	6,99	4,64	3,61	3,00										
	22	6,97	4,67	3,43	2,78	2,37	2,07									
	20	5,23	3,70	2,96	2,50	2,17										
	18	4,22	3,20	2,63	2,25	1,98										
	15	3,29	2,64	2,24	1,96	1,75										
45	26															
	24	13,93	8,48	5,52	4,25											
	22	8,26	6,38	4,58	3,66											
	20	6,08	5,11	3,89	3,19											
	18	4,84	4,25	3,37	2,83											
	15	3,70	3,63	2,96	2,53											
40	26															
	24	17,93	10,81	6,87												
	22	10,17	7,87	5,54												
	20	7,28	6,14	4,62												
	18	5,68	5,01	3,93												
	15	4,25	4,21	3,41												
35	26															
	24	25,15	15,13													
	22	13,27	10,36													
	20	9,12	7,77													
	18	6,91	6,14													
	15	5,01	5,04													

**ATTENTION:**

The correction factors are merely an indication, as they were determined using an average n-coefficient of 1,3.

**Example:**

A 1000 watt radiator is needed for 80/60/22°C. The corresponding heat output at 75/65/20 needs to be determined. Then a radiator dimension can be selected.

Follow the steps below:

1. Select the correction factor corresponding to inlet temperature 80°C, outlet temperature 60°C and room temperature 22°C.
2. Multiply the requested heat output at 80/60/22°C with the correction factor:  $1000 \times 1,07 = 1070 \text{ W}$ .  
This results is the heat output that the required radiator will have at 75/65/20°C.
3. Select a 1070 Watt radiator in the heat output tables. This radiator will give 1000 W at 80/60/22°C.



# HOW TO COMPOSE YOUR ARTICLE NUMBER ?

Our article numbers have a logical pattern and can therefore be composed easily.

**ATTENTION:** The article number must be based on available radiator sizes.  
Please consult the output tables of each product first.

## FOR PANEL RADIATORS

An article number is composed using the elements below in the indicated order and without blancs:

Group code (4 digits)  
+ height (2 digits)  
+ type (2 digits)  
+ length (2 digits)

In short: group code + HH + TT+ LL

### Examples:

Planar Style ECO, height 600, type 21, length 1000

Composed article number: 0451062110

Left handed versions:

Novello T11 group code: 0224  
Novello ECO T11 group code: 0293  
T21-33 group code: 0294  
Hygiene ECO T10 group code: 0693  
T20-30 group code: 0690  
Planar 8 T11-33 group code: 0650  
Planar T11-33 group code: 0244  
Planar ECO T11-33 group code: 0442  
Planar Style ECO T11-33 group code: 0452

Description	Group code	Height	HH	Type	TT	Length	LL
ACCORD ALL IN	0601	200	02	10	10	400	
COMPACT ALL IN	0214	300	03	11	11	410	04
COMPACT PLANAR	0216	400	04	20	20	470	
COMPACT STYLE	0453	500		21	21	500	
COMPACT VENTO	0110	545	05	22	22	510	05
(HYGIENE) ECO GALVA	0695	550		30	30	570	
GALVA	0107	600	06	33	33	600	06
HYGIENE	0204	645		44	44	610	
HYGIENE ECO - T10	0691	700	07			670	
HYGIENE ECO - T20-30	0692	900				700	07
HYGIENE GALVA	0108	950	09			800	08
HYGIENE PLANAR 8 - T10	0658	1600	16			900	09
HYGIENE PLANAR 8 - T20-30	0659	1800				1000	10
NOVELLO ECO - T11	0291	1800	18			1070	
NOVELLO ECO - T21-33	0292	1820				1200	
NOVELLO PLINTH	0168	1840				1270	12
NOVELLO 8 - T11	0661	2000				1400	
NOVELLO 8 - T21-33	0662	2020	20			1470	14
NOVELLO - T11	0223	2040				1600	
NOVELLO - T21-33	0221	2200	22			1670	16
PLANAR 8 - T11	0651					1800	18
PLANAR 8 - T21-33	0652					1870	
PLANAR	0243					2000	20
PLANAR ECO	0541					2070	
PLANAR PLINTH	0148					2200	22
PLANAR PLINTH D	0149					2400	24
PLANAR SLIM ECO	0440					2600	26
PLANAR STYLE 8 - T11	0653					2800	28
PLANAR STYLE 8 - T21-33	0654					3000	30
PLANAR STYLE ECO	0451						
PLANAR STYLE PLINTH	0251						
PLANAR STYLE PLINTH D	0252						
PLANAR VENTO	0240						
RENO	0219						
RENO PLANAR	0444						
VERTEX	0274						
VERTEX E	0274A						
VERTICAL GALVA	0674						
VERTEX PLAN	0275						
VERTEX PLAN E	0275A						
VERTEX SLIM	0279						
VERTEX STYLE	0276						
VERTEX TANGO	0277						

## FOR DESIGN RADIATORS

An article number is composed using the elements below in the indicated order and without blancs:

Group code (4 digits) In short: group code + HH + TT+ LL  
+ height (2 digits)  
+ type (2 digits)  
+ length (2 digits)

### Example type Gilia Double:

height 1495, type "02", length 500

Composed article number:  
70011495020500

Type	Description	Groupcode	Height	HHHH	Type	Length	LLLL
Single	ALMADA	7004	1186	1186	01	408	0408
	GILIA SINGLE	7001	1199	1199	02	450	0450
	HORTA VERTICAL	7505	1511	1511		538	0538
Double	GILIA DOUBLE	7001	1600	1600		600	0600
			1771	1771		668	0668
			1791	1791		750	0750
			1800	1800		798	0798
			2000	2000		900	0900
		2013	2013				

Single: Typ=01 <> Double: Typ=02

### Example Column:

height 2500, type "2", length 440

Composed article number:  
70062500020440

Description	Group code	Height	HHHH	Columns	Type	Length	LLLL
COLUMN	7006	300	0300	2	02	348	0348
		500	0500	3	03	440	0440
		600	0600	4	04	624	0624
		750	0750			854	0854
		1800	1800			1038	1038
		2000	2000			1268	1268
		2500	2500			1452	1452
						1866	1866

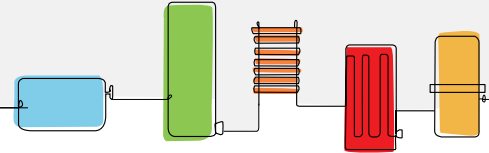
## EXCEPTIONS

For the following radiators the above rules cannot be applied, please consult the labels on the productpages:

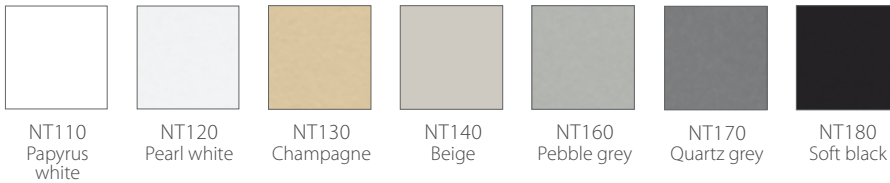
Dahlia E-VENTO (page 136, group code: 0184B), Dahlia E (page 137, 0184A = without power plug, 0184C = with power plug), Dahlia (page 138, 0184) and Valeriana (page 139, 0185). Vertex Swing (0278): please consult a pricelist.

# Colour your warmth

Stelrad is delighted to introduce you to our *palette of warm colours*. A shade for every room, for *every interior*. Opt for warm elegance, the baroque ambience or modern minimalism; with Stelrad, you can heat your home in *colour*.



## COLOURS OF NATURE



How do I order a colored radiator based on the selected Stelrad color palette?

Firstly, the radiator's item number then the item number of the colour + description.  
e.g. 0274202206 SN170 Black

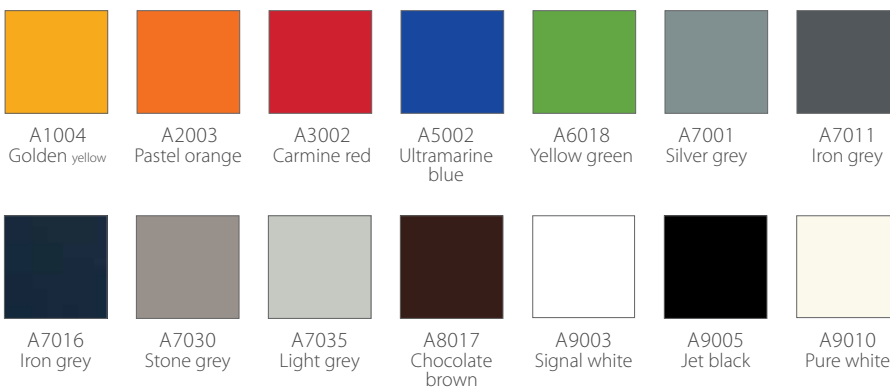
## METALLIC COLOURS



## COLOURS FOR SANITARY WARES



## RAL COLOURS



The colours are illustrative only.

In addition to our 3.5 trendy very popular and carefully selected colours, we now offer many more RAL colours.\*

#### Shades of yellow

RAL 1000	E1000	RAL 1007	E1007
RAL 1001	E1001	RAL 1012	E1012
RAL 1002	E1002	RAL 1014	E1014
RAL 1003	E1003	RAL 1015	E1015
RAL 1005	E1005	RAL 1016	E1016
RAL 1006	E1006	RAL 1017	E1017

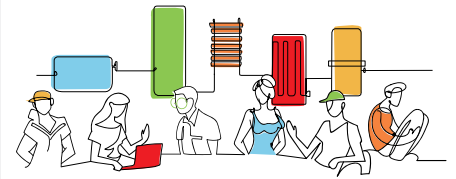
RAL 1018	E1018	RAL 1019	E1019
RAL 1021	E1021	RAL 1023	E1023

#### Shades of orange

RAL 1034	E1034	RAL 2002	E2002
RAL 2004	E2004	RAL 2008	E2008
RAL 2009	E2009	RAL 2010	E2010
RAL 2011	E2011		

#### Shades of red

RAL 3000	E3000	RAL 3011	E3011
RAL 3001	E3001	RAL 3013	E3013
RAL 3004	E3004	RAL 3016	E3016
RAL 3005	E3005	RAL 3020	E3020
RAL 3007	E3007	RAL 3027	E3027
RAL 3009	E3009		



#### Shades of blue

RAL 5000	E5000	RAL 5014	E5014
RAL 5003	E5003	RAL 5015	E5015
RAL 5004	E5004	RAL 5017	E5017
RAL 5005	E5005	RAL 5018	E5018
RAL 5007	E5007	RAL 5019	E5019
RAL 5008	E5008	RAL 5020	E5020
RAL 5009	E5009	RAL 5021	E5021
RAL 5010	E5010	RAL 5022	E5022
RAL 5011	E5011	RAL 5023	E5023
RAL 5012	E5012	RAL 5024	E5024
RAL 5013	E5013		

#### Shades of green

RAL 6000	E6000	RAL 6008	E6008	RAL 6016	E6016	RAL 6026	E6026
RAL 6001	E6001	RAL 6009	E6009	RAL 6017	E6017	RAL 6027	E6027
RAL 6002	E6002	RAL 6010	E6010	RAL 6019	E6019	RAL 6028	E6028
RAL 6003	E6003	RAL 6011	E6011	RAL 6020	E6020	RAL 6029	E6029
RAL 6004	E6004	RAL 6012	E6012	RAL 6021	E6021	RAL 6032	E6032
RAL 6005	E6005	RAL 6013	E6013	RAL 6022	E6022	RAL 6033	E6033
RAL 6006	E6006	RAL 6014	E6014	RAL 6024	E6024	RAL 6034	E6034
RAL 6007	E6007	RAL 6015	E6015	RAL 6025	E6025		

### How to order a colored radiator based on the multitude of RAL colors?

First enter the article number of the radiator, then complete with the colour code.

\*2 gloss level variations available (Gloss degree according to ISO2813):

Gloss level = 70% ± 5% (Code "E") :  
e.g. 0274202206 E10000

Gloss level = 30% ± 5% (Code "F") :  
e.g. 0274202206 F1000

#### Shades of grey

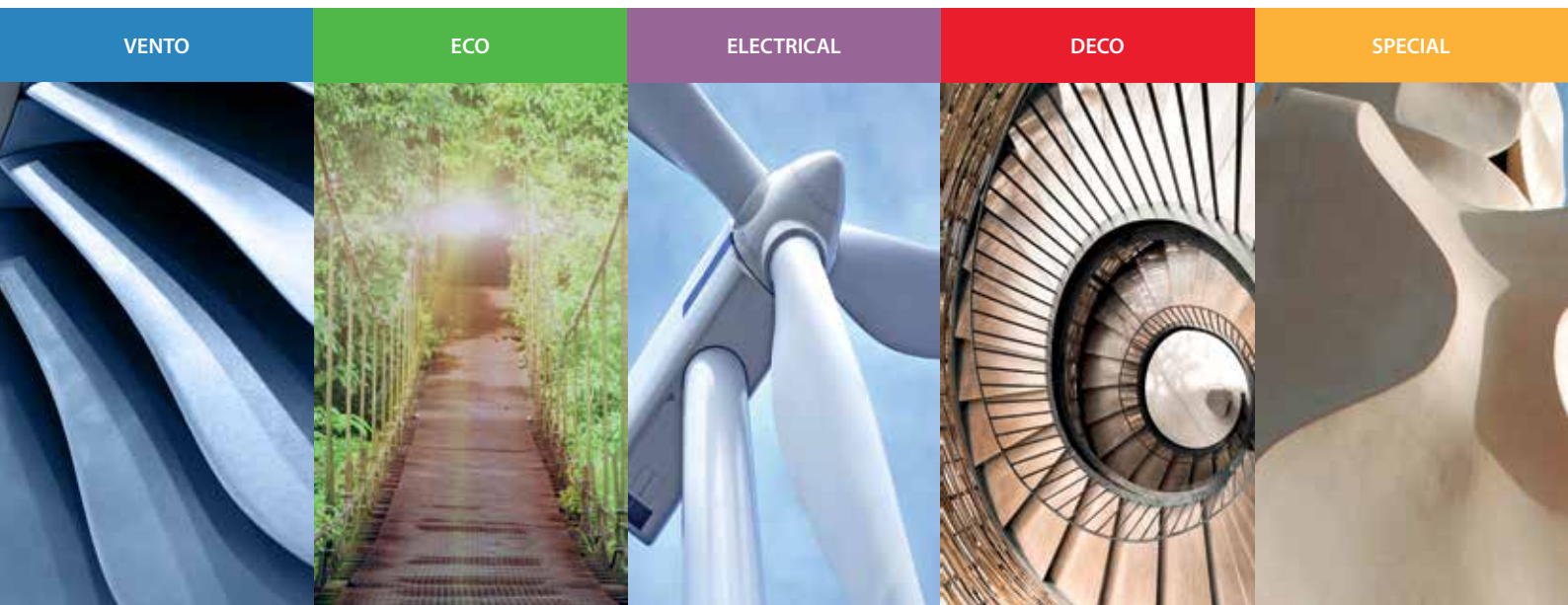
RAL 7000	E7000	RAL 7015	E7015
RAL 7002	E7002	RAL 7021	E7021
RAL 7003	E7003	RAL 7022	E7022
RAL 7004	E7004	RAL 7023	E7023
RAL 7005	E7005	RAL 7024	E7024
RAL 7006	E7006	RAL 7026	E7026
RAL 7008	E7008	RAL 7031	E7031
RAL 7009	E7009	RAL 7032	E7032
RAL 7010	E7010	RAL 7033	E7033
RAL 7012	E7012	RAL 7034	E7034
RAL 7013	E7013	RAL 7036	E7036

#### Shades of brown

RAL 7037	E7037	RAL 8001	E8001	RAL 8016	E8016
RAL 7038	E7038	RAL 8002	E8002	RAL 8019	E8019
RAL 7039	E7039	RAL 8003	E8003	RAL 8022	E8022
RAL 7040	E7040	RAL 8004	E8004	RAL 8023	E8023
RAL 7042	E7042	RAL 8007	E8007	RAL 8025	E8025
RAL 7043	E7043	RAL 8008	E8008	RAL 8028	E8028
RAL 7044	E7044	RAL 8011	E8011		
RAL 7045	E7045	RAL 8012	E8012		
RAL 7046	E7046	RAL 8014	E8014		
RAL 7047	E7047	RAL 8015	E8015		

#### Shades of black and white

RAL 9001	E9001	RAL 9002	E9002
RAL 9004	E9004	RAL 9011	E9011
RAL 9017	E9017	RAL 9018	E9018



VENTO

ECO

ELECTRICAL

DECO

SPECIAL

Austria • Belarus • Belgium • Cyprus • Czech Republic • Estonia • France • Germany • Greece • Ireland  
Lithuania • Luxemburg • Poland • Portugal • Spain • The Netherlands • Tunisia • Ukraine • United Kingdom

**THE NETHERLANDS**

Caradon Stelrad B.V. | Kathagen 30 | 6361 HG Nuth  
T. +31 455 65 62 62

[WWW.STELRAD.EU](http://WWW.STELRAD.EU)

