

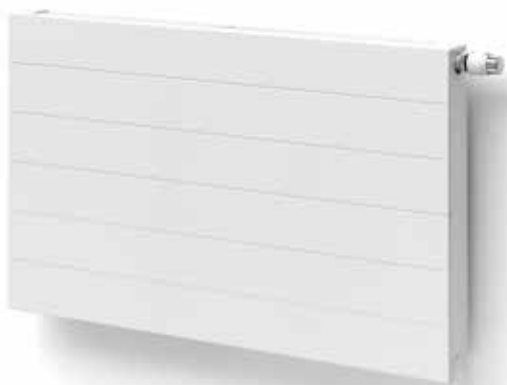
**DISCOVER PLANAR STYLE ECO**

## General information

### PLANAR STYLE ECO

The Planar Style ECO radiator unites design with our serial flow technology (water flows first through the front panel) and is perfectly suited for heating systems that work with low operating temperatures. This ECO technology results in high energy efficiency, maximum radiation, faster heating rate and less waste of energy towards the wall. Together with the symmetry of the horizontal lines of the stylish front panel the Planar Style ECO creates a pleasantly warm environment with the feeling of style and space.

Product:	decorative Stelrad ECO valve radiator ideally suited for low-temperatures heating system and equipped with our serial flow technology, both a centre and lateral bottom connection, a preset valve insert (which can be fitted on the left or right side of the radiator) and with a decorative stylish front
Finishing:	decorative stylish front, upper grille and side panels
Pre-installed:	preset Heimeier 4368 or 4369 valve insert, ECO air vent and blind plugs
Valve insert:	The integrated adjustable valve insert (without thermostatic head) is factory-fit on the right side of the radiator, CEN certified, tested in accordance with EN215 and compatible with thermostatic heads M30 x 1,5 mm. The valve insert can also be fitted on the left side of the radiator. The thermostatic valve insert is factory-set in relation to the size of the radiator. This presetting ensures optimum throughput in the radiator. Factory setting for two-pipe systems, also suitable for one-pipe systems (as long as the valve insert is adjusted to position 8).
Also supplied:	VDI brackets with anti-lift (type Monclac), screws, plugs and installation instructions
Connections:	2 x ¾" male eurocone centre connection and 2 x ½" female lateral bottom connection
Lugs:	2 pairs of mounting lugs up to 1.600 mm and 3 pairs from 1.800 mm
Packaging:	Every radiator is sturdily packaged in high-quality cardboard and wrapped in plastic. The radiator's characteristics are shown on the label: type – height – length.
Warranty:	10 years, as long as the installation instructions have been followed and Stelrad's warranty conditions have been met.
Paint process:	All radiators are degreased, phosphated, cataphoretically primed and powder-coated in Stelrad white 9016 as standard.
Colours:	Stelrad white 9016 + 35 different Stelrad colours and about 200 RAL-colours are possible
Max. operating pressure:	10 bar (tested to 13 bar)
Max. operating temperature:	110 °C
Conformity:	in accordance with EN442
Types:	11   21   22   33
Heights:	300   400   500   600   700   900 mm
Lengths:	400 – 2.000 mm
Depths:	63   79   102   160 mm

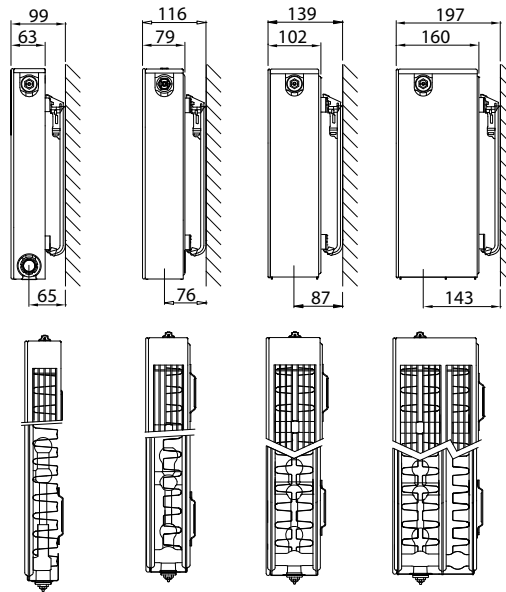


## Type overview

Calculation factor  
per meter  
at 75/65/20°C  
according to EN442

Characteristic equation:

$$\Phi = K_M \times \Delta T^n$$



Height		Type 11	Type 21	Type 22	Type 33	Height
300	W			887	1.259	300
	kg			18,85	26,45	
	l			2,90	4,35	
	m <sup>2</sup>			3,51	5,26	
	n			1,27	1,31	
400	W	626	886	1.117	1.587	400
	kg	16,13	21,95	24,95	35,12	
	l	2,34	4,11	3,88	5,82	
	m <sup>2</sup>	2,95	3,37	4,92	7,38	
	n	1,29	1,28	1,28	1,32	
500	W	774	1.053	1.333	1.893	500
	kg	20,39	27,28	31,05	43,78	
	l	2,80	4,93	4,87	7,28	
	m <sup>2</sup>	3,80	4,31	6,33	9,49	
	n	1,28	1,30	1,29	1,35	
600	W	911	1.208	1.537	2.180	600
	kg	24,65	32,60	37,15	52,45	
	l	3,25	5,75	5,85	8,75	
	m <sup>2</sup>	4,66	5,24	7,74	11,61	
	n	1,27	1,30	1,29	1,35	
700	W	1.038	1.353	1.732	2.452	700
	kg	28,91	37,85	42,82	61,13	
	l	3,77	6,63	6,73	10,19	
	m <sup>2</sup>	5,51	6,18	9,15	13,72	
	n	1,28	1,29	1,30	1,34	
900	W	1.260	1.616	2.096	2.952	900
	kg	37,43	48,35	54,15	78,50	
	l	4,80	8,40	8,50	13,06	
	m <sup>2</sup>	7,22	8,05	11,97	17,96	
	n	1,29	1,29	1,31	1,34	

W=heat output per meter / kg=weight per meter / l=content per meter / m<sup>2</sup>=surface per meter / n=exponent  
The manufacturer reserves the right to alter any of the specifications shown in this document without prior notice.

## PLANAR STYLE ECO

Heat outputs in Watt according to EN442



**EN442 (W) 70/50/20°C**

**EN442 (W) 55/45/20°C**

Stelrad BV/PLI 18(0149)EC08

Height	300	
Type	22	33
W/m 75/65/20°C	887	1.259
<b>400</b>		
<b>500</b>	334 232 0451032205	470 322 0451033305
<b>600</b>		
<b>700</b>		
<b>800</b>	534 370 0451032208	751 515 0451033308
<b>900</b>	601 416 0451032209	845 580 0451033309
<b>1000</b>	668 463 0451032210	940 644 0451033310
<b>1200</b>	801 555 0451032212	1.128 773 0451033312
<b>1400</b>	935 648 0451032214	1.316 902 0451033314
<b>1600</b>	1.068 740 0451032216	1.503 1.030 0451033316
<b>1800</b>	1.202 833 0451032218	1.691 1.159 0451033318
<b>2000</b>	1.335 926 0451032220	1.879 1.288 0451033320

400			
11	21	22	33
626	886	1.117	1.587
235 162 0451041105	333 231 0451042105	419 290 0451042205	591 404 0451043305
282 194 0451041106	400 277 0451042106	504 348 0451042206	709 484 0451043306
328 226 0451041107	466 323 0451042107	588 407 0451042207	827 565 0451043307
376 259 0451041108	533 370 0451042108	672 465 0451042208	945 646 0451043308
422 291 0451041109	600 415 0451042109	755 523 0451042209	1.063 726 0451043309
469 324 0451041110	667 462 0451042110	839 581 0451042210	1.181 807 0451043310
563 388 0451041112	800 554 0451042112	1.007 697 0451042212	1.417 969 0451043312
657 453 0451041114	933 646 0451042114	1.175 813 0451042214	1.654 1.130 0451043314
751 518 0451041116	1.067 739 0451042116	1.343 929 0451042216	1.890 1.292 0451043316
845 583 0451041118	1.200 831 0451042118	1.511 1.046 0451042218	2.127 1.453 0451043318
939 647 0451041120	1.333 924 0451042120	1.679 1.162 0451042220	2.363 1.615 0451043320

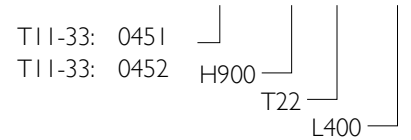
500			
11	21	22	33
774	1.053	1.333	1.893
233 161 0451051104	315 217 0451052104	400 276 0451052204	560 380 0451053304
291 201 0451051105	393 271 0451052105	500 345 0451052205	700 475 0451053305
349 241 0451051106	473 325 0451052106	600 414 0451052206	841 571 0451053306
407 282 0451051107	551 379 0451052107	700 483 0451052207	981 666 0451053307
465 322 0451051108	630 433 0451052108	800 552 0451052208	1.121 761 0451053308
524 362 0451051109	709 488 0451052109	900 622 0451052209	1.261 856 0451053309
582 402 0451051110	788 542 0451052110	1.000 691 0451052210	1.401 951 0451053310
698 483 0451051112	946 650 0451052112	1.200 829 0451052212	1.682 1.141 0451053312
814 563 0451051114	1.103 758 0451052114	1.400 967 0451052214	1.962 1.331 0451053314
930 643 0451051116	1.260 867 0451052116	1.600 1.105 0451052216	2.242 1.522 0451053316
1.047 724 0451051118	1.418 975 0451052118	1.800 1.243 0451052218	2.522 1.711 0451053318
1.163 804 0451051120	1.575 1.084 0451052120	2.000 1.381 0451052220	2.803 1.902 0451053320

Core assortment (Stelrad white 9016) available ex factory within 10 days.  
 Core assortment is subject to change, please refer to [www.stelrad.eu](http://www.stelrad.eu) for the latest information.  
 Delivery time depends on the model, please refer to your distributor.

# PLANAR STYLE ECO

Art. 0451 09 22 04

On the label:  
ECO DECO T11-33: 0451  
ECO DECO LEFT (Left) T11-33: 0452



Height	600			
Type	11	21	22	33
W/m 75/65/20°C	911	1.208	1.537	2.180
<b>400</b>	274 190 0451061104	362 249 0451062104	461 318 0451062204	646 439 0451063304
<b>500</b>	343 238 0451061105	452 311 0451062105	575 397 0451062205	807 548 0451063305
<b>600</b>	412 286 0451061106	543 374 0451062106	691 476 0451062206	969 658 0451063306
<b>700</b>	480 333 0451061107	633 436 0451062107	806 556 0451062207	1.130 767 0451063307
<b>800</b>	549 381 0451061108	723 498 0451062108	922 635 0451062208	1.292 877 0451063308
<b>900</b>	617 428 0451061109	814 560 0451062109	1.036 714 0451062209	1.453 987 0451063309
<b>1000</b>	686 476 0451061110	904 623 0451062110	1.152 794 0451062210	1.615 1.096 0451063310
<b>1200</b>	823 571 0451061112	1.085 747 0451062112	1.382 952 0451062212	1.937 1.316 0451063312
<b>1400</b>	960 666 0451061114	1.266 871 0451062114	1.612 1.111 0451062214	2.260 1.535 0451063314
<b>1600</b>	1.098 761 0451061116	1.447 996 0451062116	1.842 1.270 0451062216	2.583 1.754 0451063316
<b>1800</b>	1.235 857 0451061118	1.627 1.120 0451062118	2.073 1.429 0451062218	2.906 1.973 0451063318
<b>2000</b>	1.372 952 0451061120	1.809 1.245 0451062120	2.303 1.588 0451062220	3.229 2.193 0451063320

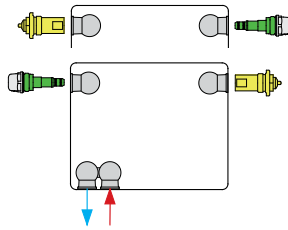
700			
11	21	22	33
1.038	1.353	1.732	2.452
312 216 0451071104	405 279 0451072104	519 357 0451072204	727 494 0451073304
390 270 0451071105	506 349 0451072105	648 446 0451072205	908 617 0451073305
468 324 0451071106	608 419 0451072106	777 535 0451072206	1.090 741 0451073306
547 378 0451071107	709 489 0451072107	907 624 0451072207	1.272 864 0451073307
624 432 0451071108	811 559 0451072108	1.037 714 0451072208	1.454 988 0451073308
702 486 0451071109	912 629 0451072109	1.167 803 0451072209	1.635 1.111 0451073309
780 540 0451071110	1.014 698 0451072110	1.296 892 0451072210	1.817 1.234 0451073310
937 649 0451071112	1.217 838 0451072112	1.555 1.070 0451072212	2.180 1.481 0451073312
1.092 756 0451071114	1.419 978 0451072114	1.815 1.249 0451072214	2.544 1.728 0451073314
1.249 865 0451071116	1.622 1.118 0451072116	2.073 1.427 0451072216	2.907 1.975 0451073316
1.404 972 0451071118	1.824 1.257 0451072118	2.333 1.605 0451072218	3.271 2.222 0451073318
1.561 1.081 0451071120	2.027 1.397 0451072120	2.592 1.783 0451072220	3.634 2.469 0451073320

900			
11	21	22	33
1.260	1.616	2.096	2.952
378 261 0451091104	485 335 0451092104	625 429 0451092204	876 596 0451093304
472 326 0451091105	606 418 0451092105	782 536 0451092205	1.095 745 0451093305
567 391 0451091106	728 502 0451092106	939 644 0451092206	1.314 894 0451093306
661 456 0451091107	849 586 0451092107	1.095 751 0451092207	1.532 1.042 0451093307
756 521 0451091108	970 670 0451092108	1.251 858 0451092208	1.752 1.192 0451093308
850 586 0451091109	1.091 753 0451092109	1.407 965 0451092209	1.971 1.341 0451093309
945 651 0451091110	1.212 837 0451092110	1.564 1.072 0451092210	2.189 1.489 0451093310
1.133 782 0451091112	1.455 1.004 0451092112	1.877 1.287 0451092212	2.627 1.787 0451093312
1.322 912 0451091114	1.697 1.172 0451092114	2.189 1.501 0451092214	3.065 2.085 0451093314
1.511 1.042 0451091116	1.940 1.339 0451092116	2.503 1.716 0451092216	3.503 2.383 0451093316
1.700 1.173 0451091118	2.182 1.507 0451092118	2.816 1.930 0451092218	3.941 2.681 0451093318
1.889 1.303 0451091120	2.425 1.674 0451092120	3.128 2.145 0451092220	4.379 2.979 0451093320

# CONNECTION POSSIBILITIES

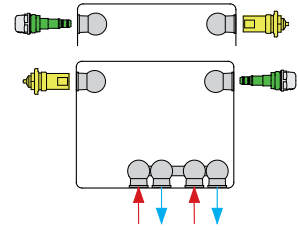
Types 21/22/33

Front of  
left handed  
radiator



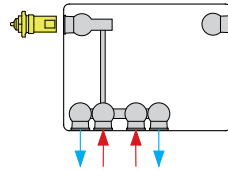
Types 21/22/33

Front of  
right handed  
radiator



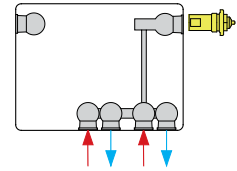
Type 11

Front of  
left handed  
radiator



Type 11

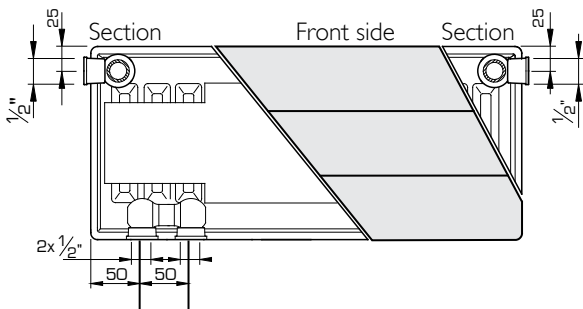
Front of  
right handed  
radiator



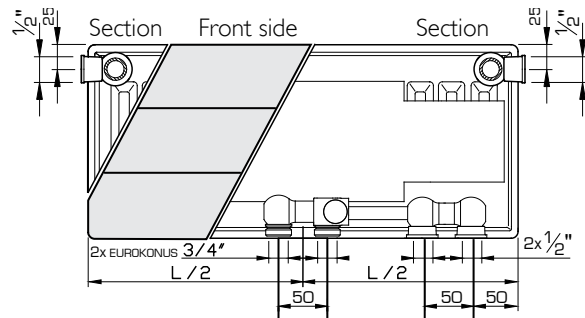
# MOUNTING DIMENSIONS

Types 21/22/33

Left

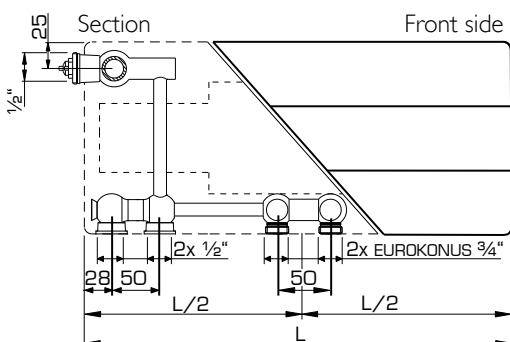


Types 21/22/33

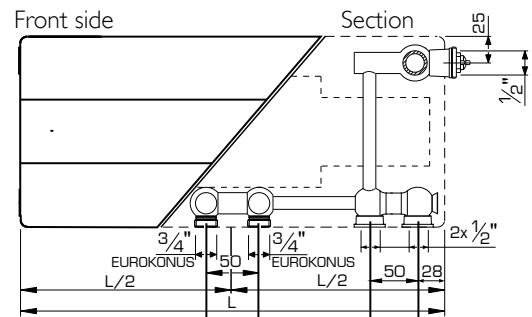


Type 11

Left

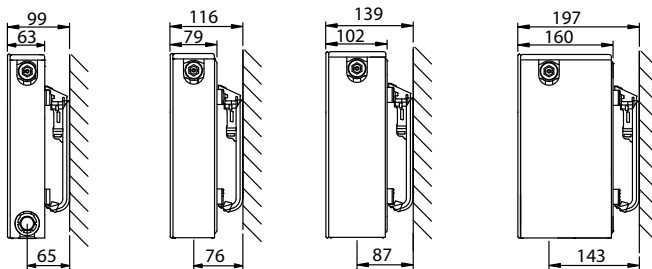


Type 11



# J-BRACKETS (TYPE MONCLAC VDI 6036)

Type 11      Type 21      Type 22      Type 33



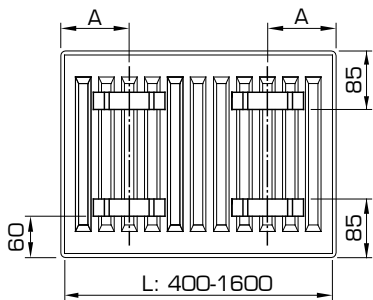
Types 11-33 J-bracket VDI 6036 Class 3	x	y	Art. N°.		Height mm
			2 pcs.	3 pcs.	
	/	140	R509203	R509303	300
	103	240	R509204	R509304	400
	103	340	R509205	R509305	500
	103	440	R509206	R509306	600
	103	540	R509207	R509307	700
	103	740	R509209	R509309	900

For lengths above 1600 mm: 3 brackets needed.

## LUG POSITIONS

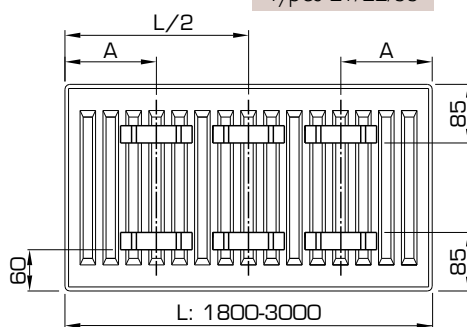
Types 21/22/33

L	A
400-1600	133



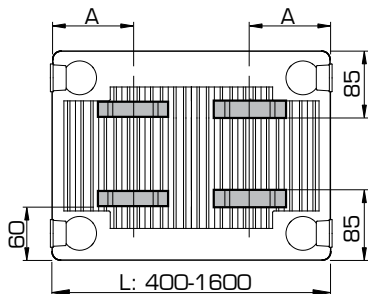
Types 21/22/33

L	A
1800-3000	133



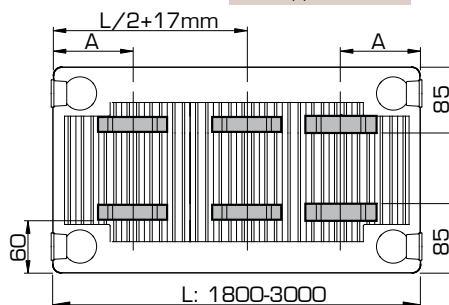
Type 11

L	A
400	117
500-1600	150



Type 11

L	A
1800-3000	150





*Seasons*

*change,*

*and so*

*do we !*

Austria • Belarus • Belgium • Cyprus • Czech Republic • Estonia • France • Germany • Greece • Iceland • Ireland • Lithuania  
Luxemburg • Norway • Poland • Portugal • Slovenia • Spain • Sweden • The Netherlands • Tunisia • Ukraine • United Kingdom

**THE NETHERLANDS**

Caradon Stelrad B.V. | Kathagen 30 | 6361 HG Nuth

[WWW.STELRAD.EU](http://WWW.STELRAD.EU)



**Stelrad**  
Europe's favourite radiator