



DISCOVER ALU SIMPLE DRY

General information

ALU SIMPLE DRY

The Alu Simple Dry electric radiator is using dry inertia technology, via a process of convection a fast and continuous high heat output is achieved.

Product:	Electric dry inertia radiator
Pre-installed:	Thermostat and 1,2 m insulated cable with plug.
Also supplied:	Brackets, screws, plugs, manual and remote control.
Control:	Operated via an integrated thermostat with weekly programming and open window detection.
Packaging:	Every radiator is sturdily packaged in high-quality cardboard and wrapped in plastic. The radiator's characteristics are shown on the label: electric power - height – length.
Warranty:	10 years for the radiator and 2 years for the electrical components, as long as the installation instructions have been followed, Stelrad's warranty conditions have been met and the radiator is installed outside the splash area.
Paint process:	All radiators are degreased, phosphated, primed and powder-coated.
Colours:	Traffic white or anthracite grey
Conformity:	EcoDesign 2018 (EU Regulation 2015/1188)
Technical data:	Voltage 230V ~50Hz, IPX4, Class II
Height:	580 mm
Lengths:	600 840 1.080 mm
Depth:	90 mm
Output:	1.000 1.500 2.000 W

Height	Length	Output	Art. N°	Colour
H580	L600	1.000W	7153B0580010600	Traffic white
			7153D0580010600	Anthracite grey
	L840	1.500W	7153B0580010840	Traffic white
			7153D0580010840	Anthracite grey
	L1080	2.000W	7153B0580011080	Traffic white
			7153D0580011080	Anthracite grey



ECODESIGN
2018 COMPLIANT



Mounting and installation

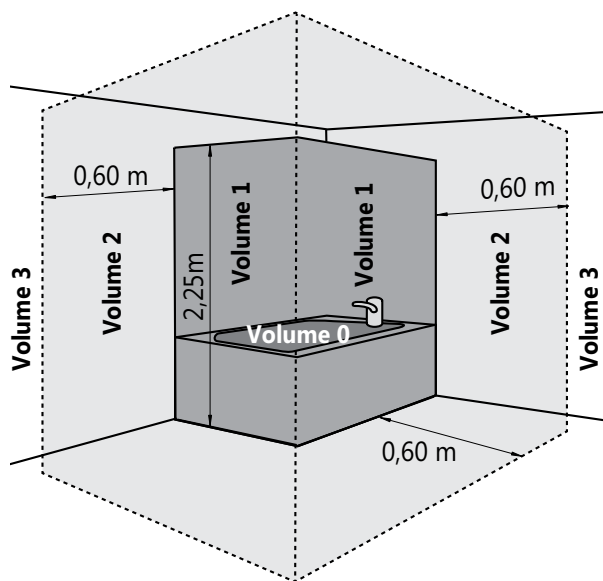
Since the Alu Simple Dry is a class II heater with an IPX4 protection rating, it can be installed as such, in volume 2 or 3 of the bathroom (see figure), provided that it is shielded from water splashes and that the radiator is out reach of persons in the bath or under the shower.

Furthermore, when installed in volume 2, the radiator must additionally be shielded by means of a fixed wall.

The radiator must be installed with the control panel at the top and the electrical wire in the lower section. It is prohibited to install the radiator with the control panel below or on the side.

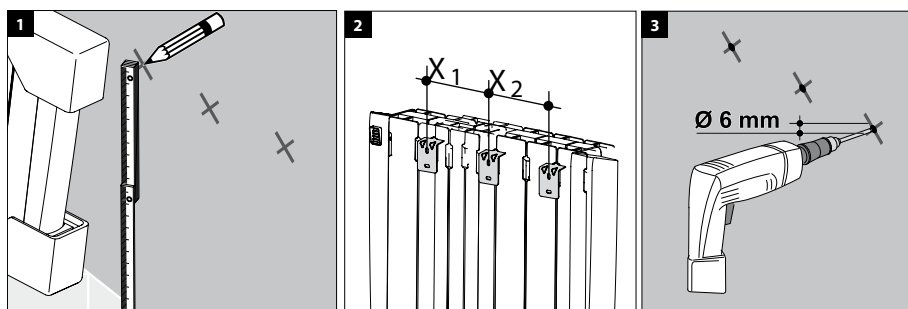
The appliance is insulated according to class II and is therefore not earthed. It needs to be powered by a single-phased current of 230V ~50 Hz.

The plug should be connected to a wall socket placed in volume 3.

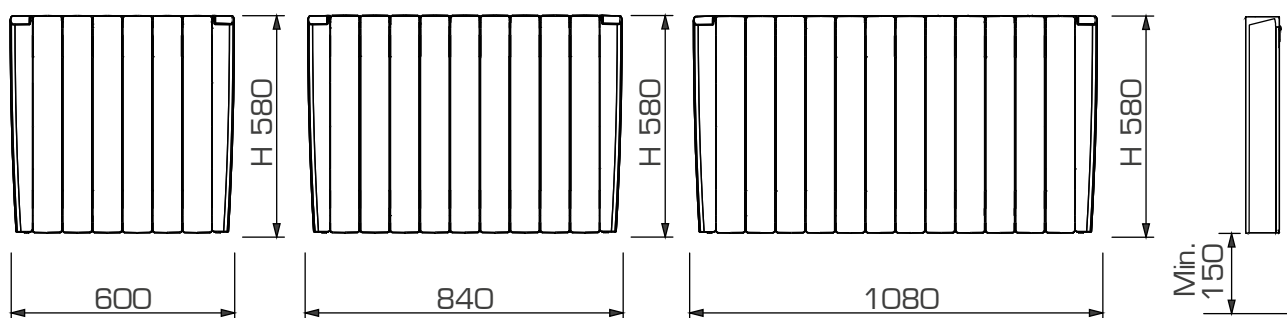
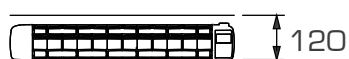


ATTENTION:

In France, the installation of electric radiators with plugs is prohibited.



W	number of brackets		X1	X2	X3
	top	bottom			
1000	3	1	161	161	/
1500	3	1	322	242	/
2000	4	2	242	322	242



[click here](#)



The assembly instructions are available on [our website](#), technical data of Alu Simple Dry or via the QR-code:



Austria • Belarus • Belgium • Cyprus • Czech Republic • Estonia • France • Germany • Greece • Iceland • Ireland • Lithuania
Luxemburg • Norway • Poland • Portugal • Slovenia • Spain • Sweden • The Netherlands • Tunisia • Ukraine • United Kingdom

THE NETHERLANDS

Caradon Stelrad B.V. | Kathagen 30 | 6361 HG Nuth

WWW.STELRAD.EU

