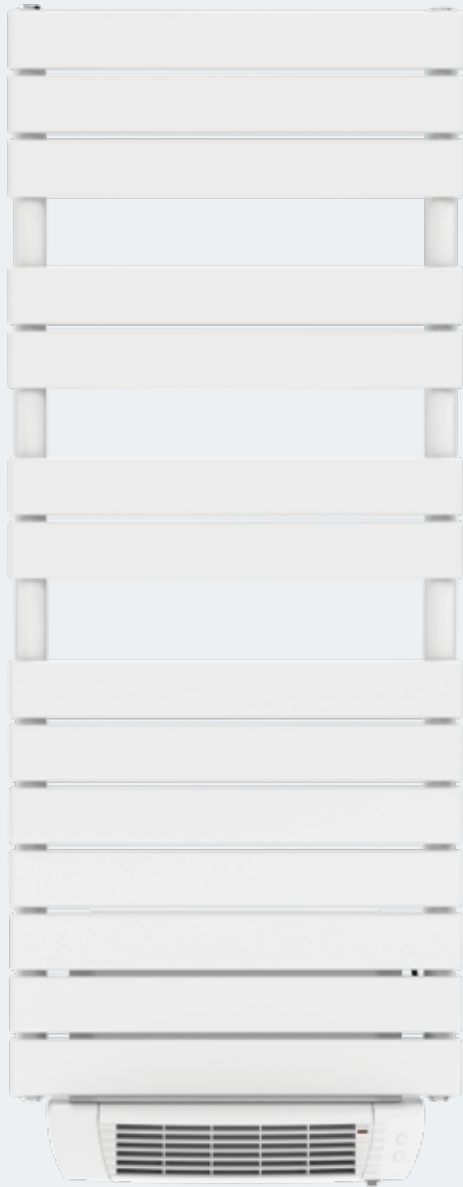


Almada E-VENTO

Almada E



DISCOVER ALMADA E-VENTO AND ALMADA E

General information

ALMADA E-VENTO

The Almada E-VENTO combines good looks with exceptional heating efficiency with an integrated blower unit that provides extra heat emission.

Product:	Electric vertical flat tube-on-tube design radiator with blower
Pre-installed:	Prefilled with heating liquid, equipped with a thermostat, a 1.000 watt blower and a 1,2 m insulated cable with plug.
Also supplied:	Brackets, screws, plugs, manual and remote control
Control:	Via integrated thermostat or remote control with weekly programming, open window detection and boost function.
Packaging:	Every radiator is sturdily packaged in high-quality cardboard and wrapped in plastic. The radiator's characteristics are shown on the label: electric power – height – length.
Warranty:	10 years for the radiator and 2 years for the electrical components, as long as the installation instructions have been followed, Stelrad's warranty conditions have been met and the radiator is installed outside the splash area.
Paint process:	All radiators are degreased, phosphated, primed and powder-coated.
Colours:	Traffic white or anthracite grey
Conformity:	EcoDesign 2018 (EU Regulation 2015/1188)
Technical data:	Voltage 230V ~50Hz, IP24, Class II
Heights:	1.094 1.422 1.730 mm
Number of tubes:	10 14 17
Length:	550 mm
Depth:	143 mm
Output:	1.500 1.700 2.000 W
Tubes:	horizontal, 70 x 11 mm flat section
Collectors:	vertical, O-section, diameter 38 mm

Height	Length	Output	Art. N°	Tubes	Colour
H1094	L550	1.500W	7004D1094010550	10	Traffic white
			7004F1094010550		Anthracite grey
H1422	L550	1.700W	7004D1422010550	14	Traffic white
			7004F1422010550		Anthracite grey
H1730	L550	2.000W	7004D1730010550	17	Traffic white
			7004F1730010550		Anthracite grey



ECODESIGN
2018 COMPLIANT



Mounting and installation

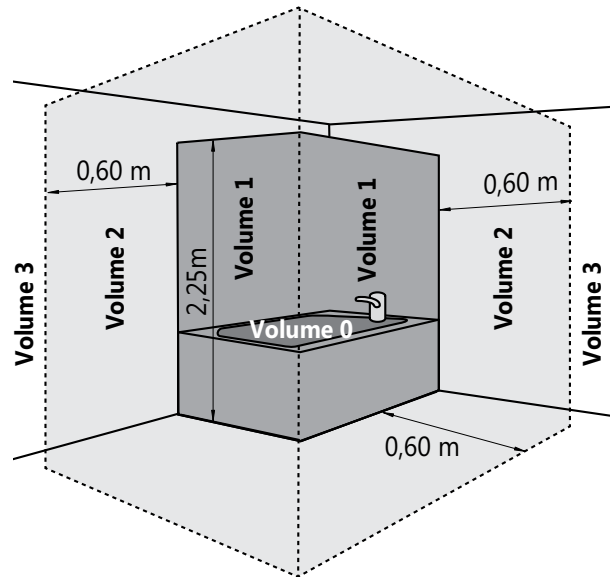
Since the Almada E-VENTO is a class II heater with an IP24 protection rating, it can be installed as such, in volume 2 or 3 of the bathroom (see figure), provided that it is shielded from water splashes and that the radiator is out reach of persons in the bath or under the shower.

Furthermore, when installed in volume 2, the radiator must additionally be shielded by means of a fixed wall.

The radiator must be installed with the heating element vertically and the electrical wire in the lower section. It is prohibited to install the device with the electrical wire in the upper section or with the heating element horizontally.

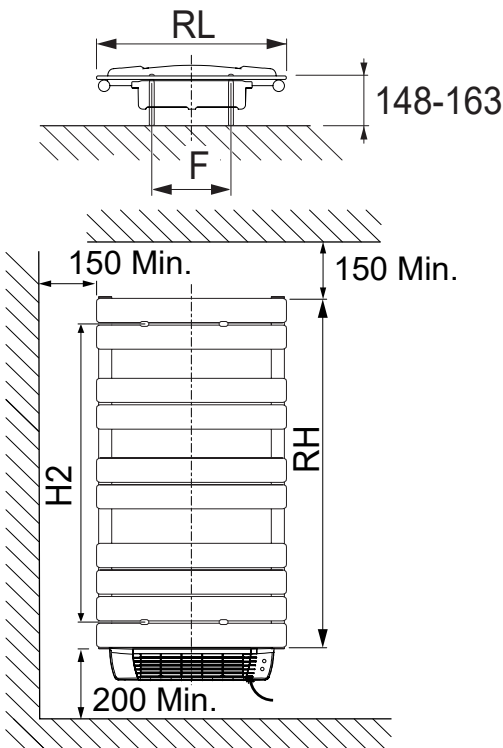
The appliance is insulated according to class II and is therefore not earthed. It needs to be powered by a single-phased current of 230V ~50 Hz.

The plug should be connected to a wall socket placed in volume 3.



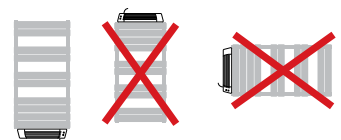
ATTENTION:

Malfunctioning control units need to be replaced by an identical model after consulting your wholesaler. When replacing the control unit by a different model, both warranty and conformity with the safety regulations will be void. In France, the installation of electric radiators with plugs is prohibited.



RL	F
550	410

RH	H2
1094	881
1422	1205
1730	1513



[click here](#)



The assembly instructions are available on [our website](#), technical data of Almada E-VENTO or via the QR-code:

General information

ALMADA E

The Almada E combines good looks with exceptional heating efficiency.

- Product: Electric vertical flat tube-on-tube design radiator
- Pre-installed: Prefilled with heating liquid, equipped with a thermostat and a 1,2 m insulated cable with plug.
- Also supplied: Brackets, screws, plugs and manual
- Control: Operated via an integrated thermostat with weekly programming, open window detection, presence detection and boost function.
- Packaging: Every radiator is sturdily packaged in high-quality cardboard and wrapped in plastic.
The radiator's characteristics are shown on the label: electric power – height – length.
- Warranty: 10 years for the radiator and 2 years for the electrical components, as long as the installation instructions have been followed, Stelrad's warranty conditions have been met and the radiator is installed outside the splash area.
- Paint process: All radiators are degreased, phosphated, primed and powder-coated.
- Colour: Traffic white
- Conformity: EcoDesign 2018 (EU Regulation 2015/1188)
- Technical data: Voltage 230V ~50Hz, IP34, Class II
- Heights: 1.090 | 1.413 mm
- Number of tubes: 10 | 14
- Length: 500 mm
- Depth: 49 mm
- Output: 500 | 700 W
- Tubes: horizontal, 70 x 11 mm flat section
- Collectors: vertical, O-section, diameter 38 mm

Height	Length	Output	Art. N°	Tubes	Colour
H1090	L500	500W	7004B1090010500	10	Traffic white
H1413	L500	700W	7004B1413010500	14	



ECODESIGN
2018 COMPLIANT



Mounting and installation

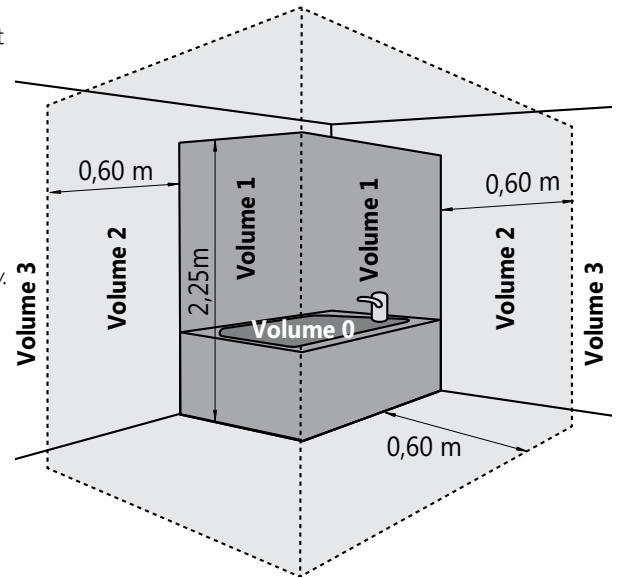
Since the Almada E is a class II heater with an IP34 protection rating, it can be installed as such, in volume 2 or 3 of the bathroom (see figure), provided that it is shielded from water splashes and that the radiator is out reach of persons in the bath or under the shower.

Furthermore, when installed in volume 2, the radiator must additionally be shielded by means of a fixed wall.

The radiator must be installed with the heating element vertically and the electrical wire in the lower section. It is prohibited to install the device with the electrical wire in the upper section or with the heating element horizontally.

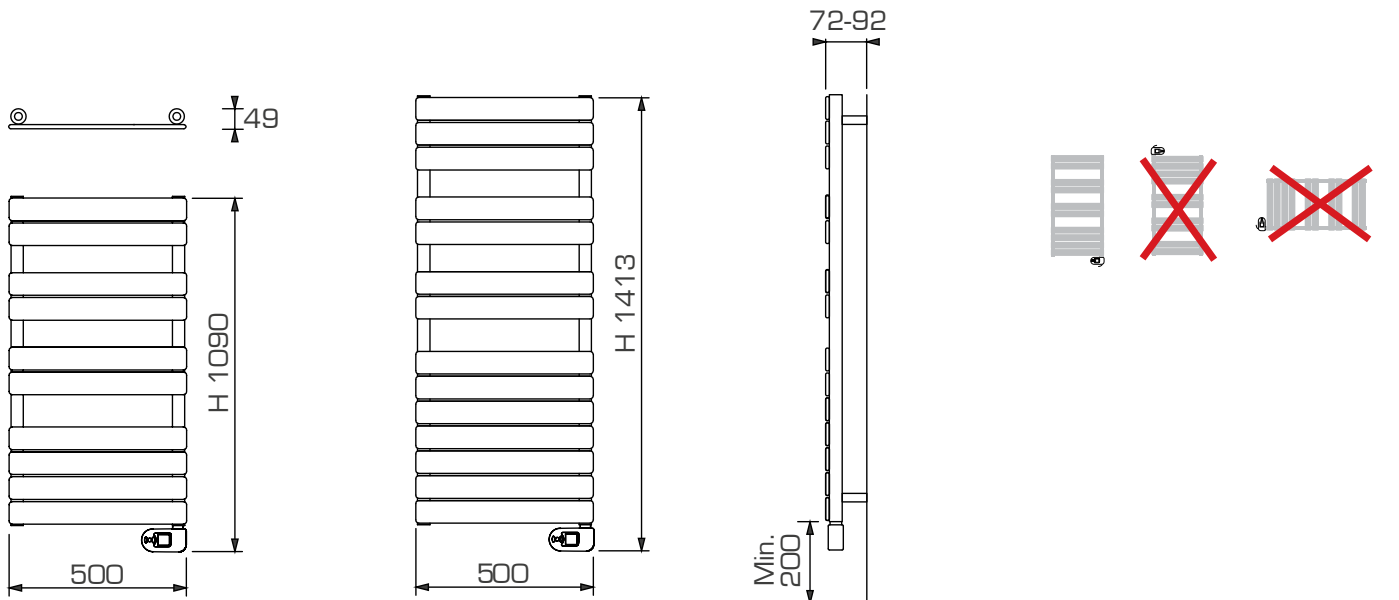
The appliance is insulated according to class II and is therefore not earthed. It needs to be powered by a single-phased current of 230V ~50 Hz.

The plug should be connected to a wall socket placed in volume 3.



ATTENTION:

Malfunctioning control units need to be replaced by an identical model after consulting your wholesaler. When replacing the control unit by a different model, both warranty and conformity with the safety regulations will be void. In France, the installation of electric radiators with plugs is prohibited.



[click here](#)



The assembly instructions are available on [our website](#), technical data of Almada E or via the QR-code:



Seasons

change,

and so

do we !

Austria • Belarus • Belgium • Cyprus • Czech Republic • Estonia • France • Germany • Greece • Iceland • Ireland • Lithuania
Luxemburg • Norway • Poland • Portugal • Slovenia • Spain • Sweden • The Netherlands • Tunisia • Ukraine • United Kingdom

THE NETHERLANDS

Caradon Stelrad B.V. | Kathagen 30 | 6361 HG Nuth

WWW.STELRAD.EU

