



**DISCOVER HYGIENE RADIATORS**

## General information

### HYGIENE ECO

Low-temperature panel radiator made from high-quality steel, with serial flow technology (water flows first through the front panel). This results in high energy efficiency, maximum radiation (even in low-temperature heating systems), faster heating rate and less waste of energy.

Product:	low-temperature valve radiator specifically developed for environments where hygiene and safety are all-important, with serial flow technology, both a centre and lateral bottom connections and a preset valve insert, which can be fitted on the left or right side of the radiator
Finishing:	without upper grille or side panels and without convection fins
Pre-installed:	preset Heimeier 4368 or 4369 valve insert, ECO air vent and blind plugs
Valve insert:	The integrated adjustable valve insert (without thermostatic head) is factory-fit on the right side of the radiator; CEN certified, tested in accordance with EN215 and compatible with thermostatic heads M30 x 1,5 mm. For types 20-30 the valve insert can also be fitted on the left side of the radiator; a left version for a type 10 radiator is available on request. The thermostatic valve insert is factory-set in relation to the size of the radiator. This presetting ensures optimum throughput in the radiator. Factory setting for two-pipe systems, also suitable for one-pipe systems (as long as the valve insert is adjusted to position 8).
Also supplied:	VDI brackets with anti-lift (type Monclac), screws, plugs and installation instructions
Connections:	2 x ¾" male Eurocone centre connection and 2 x ½" female lateral bottom connection. Left version (types 20-30) only with 2 x ½" female lateral bottom connection.
Lugs:	2 pairs of mounting lugs up to 1.600 mm and 3 pairs from 1.800 mm
Packaging:	Every radiator is sturdily packaged in high-quality cardboard and wrapped in plastic. The radiator's characteristics are shown on the label: type – height – length.
Warranty:	10 years, as long as the installation instructions have been followed and Stelrad's warranty conditions have been met.
Paint process:	All radiators are degreased, phosphated, cathodically primed and powder-coated in Stelrad white 9016 as standard.
Colours:	Stelrad white 9016 + 35 different Stelrad colours and about 200 RAL-colours are possible
Heat cost allocator:	Suitable for heat cost allocators, both electronic and according to the evaporation principle (covered by the norm of EN834 & EN835).
Max. operating pressure:	10 bar (tested to 13 bar)
Max. operating temperature:	110 °C
Conformity:	in accordance with EN442
Quality assurance:	Hygiene
Types:	10   20   30
Heights:	300   400   500   600   700   900 mm
Lengths:	400 – 3.000 mm
Depths:	47   77   158 mm



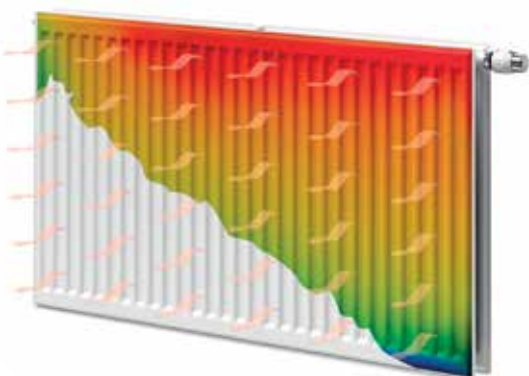
## General information

### HYGIENE ECO GALVA

The ECO radiator and its serial flow technology are perfectly suited to operate in low-temperature heating systems. This technology (water flows first through the front panel) results in higher energy efficiency, maximum radiation, faster heating rate and less waste of energy through the back wall.

In addition, the Hygiene ECO Galva radiator is treated with a protective galvanised coating, so it can be used without any concerns in wet areas.

Product:	low-temperature valve radiator without convection fins with serial flow technology, perfectly suited for low-temperature heating systems, specifically developed for environments where hygiene and safety are all-important and equipped with a protective galvanised coating underneath, both a centre and lateral bottom connection and a preset valve insert, which can be fitted on the left or right side of the radiator
Finishing:	protective galvanised coating without top grille or side panels
Pre-installed:	preset Heimeier 4368 or 4369 valve insert, ECO air vent and blind plugs
Valve insert:	The integrated adjustable valve insert (without thermostatic head) is factory-fit on the right side of the radiator; CEN certified, tested in accordance with EN215 and compatible with thermostatic heads M30 x 1,5 mm. For types 20 and 30 the valve insert can also be fitted on the left side of the radiator. The thermostatic valve insert is factory-set in relation to the size of the radiator. This presetting ensures optimum throughput in the radiator. Factory setting for two-pipe systems, also suitable for one-pipe systems (as long as the valve insert is adjusted to position 8).
Also supplied:	VDI brackets with anti-lift (type Monclac), screws, plugs and installation instructions
Connections:	2 x ¾" male Eurocone centre connection and 2 x ½" female lateral bottom connection
Lugs:	2 pairs of mounting lugs up to 1.600 mm and 3 pairs from 1.800 mm
Packaging:	Every radiator is sturdily packaged in high-quality cardboard and wrapped in plastic. The product description is shown on the label: type – height – length.
Warranty:	10 years, as long as the installation instructions have been followed and Stelrad's warranty conditions have been met.
Paint process:	All radiators are galvanised, degreased, phosphated, cataphoretically primed and powder-coated in Stelrad white 9016 as standard.
Colours:	Stelrad white 9016 + 35 different Stelrad colours and about 200 RAL-colours are possible
Heat cost allocator:	Suitable for heat cost allocators, both electronic and according to the evaporation principle (covered by the norm of EN834 & EN835).
Max. operating pressure:	10 bar (tested to 13 bar)
Max. operating temperature:	110 °C
Conformity:	in accordance with EN442
Types:	10   20   30
Heights:	300   400   500   600   700   900 mm
Lengths:	400 – 3.000 mm
Depths:	47   77   158 mm



## General information

### HYGIENE

The Hygiene radiator is a panel radiator without convection fins, upper grille or side panels, made from high-quality steel. A classic icon.

Product:	a classic panel radiator without convection fins
Finishing:	without convection fins, upper grille or side panels
Also supplied:	VDI brackets with anti-lift (type Monclac), screws, plugs, blind plug, air vent and installation instructions
Connections:	4 x ½" female connection
Lugs:	2 pairs of mounting lugs up to 1.600 mm and 3 pairs from 1.800 mm
Packaging:	Every radiator is sturdily packaged in high-quality cardboard and wrapped in plastic. The radiator's characteristics are shown on the label: type – height – length.
Warranty:	10 years, as long as the installation instructions have been followed and Stelrad's warranty conditions have been met.
Paint process:	All radiators are degreased, phosphated, cataphoretically primed and powder-coated in Stelrad white 9016 as standard.
Colours:	Stelrad white 9016 + 35 different Stelrad colours and about 200 RAL-colours are possible
Heat cost allocator:	Suitable for heat cost allocators, both electronic and according to the evaporation principle (covered by the norm of EN834 & EN835).
Max. operating pressure:	10 bar (tested to 13 bar)
Max. operating temperature:	110 °C
Conformity:	in accordance with EN442
Quality assurance:	NF
Types:	10   20   30
Heights:	300   400   500   600   700   900 mm
Lengths:	400 – 3.000 mm
Depths:	47   77   158 mm



2015

## General information

### HYGIENE GALVA

With a Hygiene radiator as a base and an extra protective galvanised coating for humid spaces underneath, the Hygiene Galva radiator is the ideal panel radiator for your bathroom.

Product:	naked panel radiator without convection fins and with a protective galvanised coating
Finishing:	protective galvanised coating and without upper grille and side panels
Also supplied:	VDI brackets with anti-lift (type Monclac), screws, plugs, blind plug, air vent and installation instructions
Connections:	4 x ½" female connection
Lugs:	2 pairs of mounting lugs up to 1.600 mm and 3 pairs from 1.800 mm
Packaging:	Every radiator is sturdily packaged in high-quality cardboard and wrapped in plastic. The radiator's characteristics are shown on the label: type – height – length.
Warranty:	10 years, as long as the installation instructions have been followed and Stelrad's warranty conditions have been met.
Paint process:	All radiators are galvanised, degreased, phosphated, cataphoretically primed and powder-coated in Stelrad white 9016 as standard.
Colours:	Stelrad white 9016 + 35 different Stelrad colours and about 200 RAL-colours are possible
Heat cost allocator:	Suitable for heat cost allocators, both electronic and according to the evaporation principle (covered by the norm of EN834 & EN835).
Max. operating pressure:	10 bar (tested to 13 bar)
Max. operating temperature:	110 °C
Conformity:	in accordance with EN442
Types:	10   20   30
Heights:	300   400   500   600   700   900 mm
Lengths:	400 – 3.000 mm
Depths:	47   77   158 mm

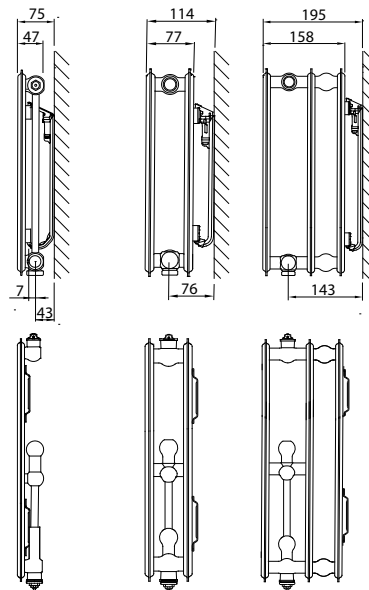


## Type overview

Calculation factor  
per meter  
at 75/65/20°C  
according to EN442

Characteristic equation:

$$\Phi = K_M \times \Delta T^n$$



Height		Type 10	Type 20	Type 30	Height
300	W	338	585	867	300
	kg	6,17	11,57	17,80	
	l	1,89	3,71	5,50	
	m <sup>2</sup>	0,68	1,37	2,04	
	n	1,28	1,27	1,30	
400	W	430	732	1.074	400
	kg	8,22	15,35	23,27	
	l	2,34	4,71	7,07	
	m <sup>2</sup>	0,91	1,83	2,73	
	n	1,29	1,28	1,30	
500	W	521	879	1.275	500
	kg	10,28	19,12	28,73	
	l	2,80	5,70	8,63	
	m <sup>2</sup>	1,14	2,28	3,42	
	n	1,30	1,28	1,30	
600	W	610	1.023	1.470	600
	kg	12,33	22,90	34,20	
	l	3,25	6,70	10,20	
	m <sup>2</sup>	1,37	2,74	4,11	
	n	1,31	1,29	1,31	
700	W	699	1.167	1.659	700
	kg	14,19	26,83	40,10	
	l	3,77	7,57	11,33	
	m <sup>2</sup>	1,60	3,20	4,79	
	n	1,32	1,29	1,31	
900	W	877	1.458	2.034	900
	kg	17,90	34,70	51,90	
	l	4,80	9,30	13,60	
	m <sup>2</sup>	2,06	4,12	6,17	
	n	1,33	1,30	1,32	

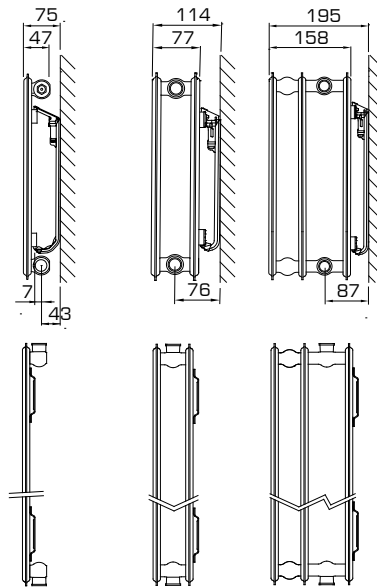
W=heat output per meter / kg=weight per meter / l=content per meter / m<sup>2</sup>=surface per meter / n=exponent  
The manufacturer reserves the right to alter any of the specifications shown in this document without prior notice.

## Type overview

Calculation factor  
per meter  
at 75/65/20°C  
according to EN442

Characteristic equation:

$$\Phi = K_M \times \Delta T^n$$



Height		Type 10	Type 20	Type 30	Centre distance
300	W	338	571	859	250
	kg	6,17	11,64	17,90	
	l	1,89	3,70	5,20	
	m <sup>2</sup>	0,68	1,37	2,04	
	n	1,28	1,34	1,30	
400	W	430	730	1.073	350
	kg	8,22	15,86	23,37	
	l	2,34	4,67	6,57	
	m <sup>2</sup>	0,91	1,83	2,73	
	n	1,29	1,33	1,30	
500	W	521	883	1.277	450
	kg	10,28	20,08	28,83	
	l	2,80	5,63	7,93	
	m <sup>2</sup>	1,14	2,28	3,42	
	n	1,30	1,32	1,31	
600	W	610	1.031	1.474	550
	kg	12,33	24,30	34,30	
	l	3,25	6,60	9,30	
	m <sup>2</sup>	1,37	2,74	4,11	
	n	1,31	1,32	1,31	
700	W	699	1.174	1.666	650
	kg	14,19	28,00	40,07	
	l	3,77	7,63	10,67	
	m <sup>2</sup>	1,60	3,20	4,79	
	n	1,32	1,32	1,32	
900	W	877	1.449	2.039	850
	kg	17,90	35,40	51,60	
	l	4,80	9,70	13,40	
	m <sup>2</sup>	2,06	4,12	6,17	
	n	1,33	1,33	1,33	

W=heat output per meter / kg=weight per meter / l=content per meter / m<sup>2</sup>=surface per meter / n=exponent  
The manufacturer reserves the right to alter any of the specifications shown in this document without prior notice.

## HYGIENE ECO & HYGIENE ECO GALVA

Heat outputs in Watt according to EN442



**EN442 (W) 70/50/20°C**

**EN442 (W) 55/45/20°C**

**EN442 (W) 75/65/20°C**

Stelrad BV/PL 19/01/07/E013

Height	300		
	10	20	30
<b>400</b>		176	260
		122	179
		234	347
<b>500</b>	127	220	325
	88	153	224
	169	293	434
<b>600</b>	152	264	389
	105	183	268
	203	351	520
<b>700</b>	178	309	454
	123	214	313
	237	410	607
<b>800</b>	203	352	520
	140	245	358
	270	468	694
<b>900</b>	228	396	584
	158	275	402
	304	527	780
<b>1000</b>	254	441	649
	176	306	447
	338	585	867
<b>1100</b>	279	485	714
	193	336	492
	372	644	954
<b>1200</b>	305	529	779
	211	367	536
	406	702	1.040
<b>1400</b>	355	617	909
	246	428	626
	473	819	1.214
<b>1600</b>		705	1.038
		489	715
		936	1.387
<b>1800</b>		793	1.169
		550	805
		1.053	1.561
<b>2000</b>		881	1.298
		611	894
		1.170	1.734
<b>2200</b>		969	1.428
		672	983
		1.287	1.907
<b>2400</b>		1.057	1.558
		734	1.073
		1.404	2.081
<b>2600</b>		1.145	
		795	
		1.521	
<b>2800</b>		1.234	
		856	
		1.638	
<b>3000</b>		1.322	
		917	
		1.755	

400		
10	20	30
	220	322
	153	221
	293	430
161	275	402
111	191	276
215	366	537
193	330	482
133	229	331
258	439	644
226	385	563
155	267	387
301	512	752
258	441	643
178	305	442
344	586	859
290	496	723
200	343	498
387	659	967
322	551	804
222	381	553
430	732	1.074
354	605	884
244	419	608
473	805	1.181
387	660	964
267	457	663
516	878	1.289
451	771	1.125
311	534	774
602	1.025	1.504
516	881	1.285
355	610	884
688	1.171	1.718
580	991	1.446
400	687	995
774	1.318	1.933
644	1.101	1.607
444	763	1.106
860	1.464	2.148
	1.211	1.768
	839	1.216
	1.610	2.363
	1.321	1.929
	915	1.327
	1.757	2.578
	1.431	
	991	
	1.903	
	1.542	
	1.068	
	2.050	
	1.652	
	1.144	
	2.196	

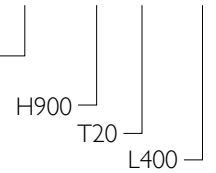
500		
10	20	30
	264	381
	183	262
	352	510
194	331	477
134	229	328
261	440	638
234	396	572
161	274	393
313	527	765
273	462	667
188	319	458
365	615	893
312	528	763
214	365	524
417	703	1.020
351	594	858
241	411	590
469	791	1.148
389	660	953
268	457	655
521	879	1.275
428	726	1.048
294	502	720
573	967	1.403
467	793	1.144
321	548	786
625	1.055	1.530
545	925	1.334
375	639	917
729	1.231	1.785
623	1.056	1.525
428	730	1.048
834	1.406	2.040
701	1.188	1.716
482	822	1.179
938	1.582	2.295
779	1.321	1.906
535	913	1.310
1.042	1.758	2.550
857	1.453	2.097
589	1.005	1.441
1.146	1.934	2.805
934	1.585	2.288
642	1.096	1.572
1.250	2.110	3.060
	1.716	
	1.187	
	2.285	
	1.849	
	1.278	
	2.461	
	1.981	
	1.370	
	2.637	



# HYGIENE ECO & HYGIENE ECO GALVA

Art. 0692 09 20 04

On the label:  
 HYGIENE ECO T20-30: 0692  
 T10: 0691  
 HYGIENE ECO L (Left handed) T20-30: 0690  
 T10: 0693  
 GALVA ECO T10-30: 0695



Height	600		
	10	20	30
<b>400</b>		307 212 409	439 302 588
<b>500</b>	227 156 305	384 265 512	549 377 735
<b>600</b>	273 187 366	461 318 614	659 452 882
<b>700</b>	318 218 427	537 371 716	769 528 1.029
<b>800</b>	364 249 488	614 424 818	879 603 1.176
<b>900</b>	409 281 549	691 477 921	988 679 1.323
<b>1000</b>	455 312 610	768 530 1.023	1.098 754 1.470
<b>1100</b>	500 343 671	844 583 1.125	1.208 829 1.617
<b>1200</b>	546 374 732	921 636 1.228	1.318 905 1.764
<b>1400</b>	637 436 854	1.074 742 1.432	1.537 1.056 2.058
<b>1600</b>	728 499 976	1.228 848 1.637	1.757 1.206 2.352
<b>1800</b>	819 561 1.098	1.381 954 1.841	1.977 1.357 2.646
<b>2000</b>	910 623 1.220	1.535 1.060 2.046	2.196 1.508 2.940
<b>2200</b>	1.001 686 1.342	1.689 1.166 2.251	2.416 1.659 3.234
<b>2400</b>	1.092 748 1.464	1.842 1.272 2.455	2.636 1.810 3.528
<b>2600</b>		1.996 1.378 2.660	
<b>2800</b>		2.149 1.484 2.864	
<b>3000</b>		2.303 1.590 3.069	

700		
10	20	30
	350 241 467	496 340 664
261 178 350	488 302 584	620 425 830
312 214 419	525 362 700	743 510 995
364 249 489	612 422 817	867 595 1.161
416 285 559	700 482 934	991 680 1.327
469 321 629	787 542 1.050	1.115 765 1.493
521 356 699	874 603 1.167	1.238 850 1.659
573 392 769	962 663 1.284	1.362 935 1.825
625 428 839	1.049 723 1.400	1.486 1.020 1.991
729 499 979	1.224 844 1.634	1.734 1.190 2.323
833 570 1.118	1.399 964 1.867	1.981 1.359 2.654
937 641 1.258	1.574 1.085 2.101	2.229 1.529 2.986
1.041 712 1.398	1.749 1.206 2.334	2.477 1.699 3.318

900		
10	20	30
	436 299 583	607 415 814
325 222 439	545 374 729	758 519 1.017
391 267 526	654 449 875	909 623 1.220
456 311 614	763 524 1.021	1.061 727 1.424
522 356 702	872 599 1.166	1.213 830 1.627
586 400 789	981 674 1.312	1.365 935 1.831
652 444 877	1.090 749 1.458	1.516 1.038 2.034
717 489 965	1.199 824 1.604	1.667 1.142 2.237
782 533 1.052	1.308 899 1.750	1.820 1.246 2.441
913 622 1.228	1.526 1.048 2.041	2.123 1.454 2.848
1.043 711 1.403	1.744 1.198 2.333	2.426 1.661 3.254
1.173 800 1.579	1.961 1.348 2.624	2.729 1.868 3.661
1.303 889 1.754	2.180 1.497 2.916	3.032 2.076 4.068

## HYGIENE & HYGIENE GALVA

Heat outputs in Watt according to EN442



**EN442 (W) 70/50/20°C**

**EN442 (W) 55/45/20°C**

**EN442 (W) 75/65/20°C**

Steelrad\_BV/PL20/0004/EC06

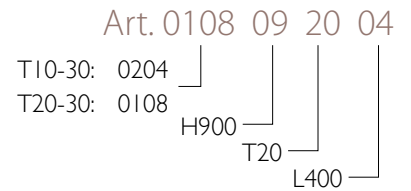
Height	300		
	10	20	30
<b>400</b>	101	169	257
	70 135	115 228	177 344
<b>500</b>	127	212	322
	88 169	145 286	221 430
<b>600</b>	152	255	385
	105 203	173 343	265 515
<b>700</b>	178	297	450
	123 237	202 400	309 601
<b>800</b>	203	339	514
	140 270	231 457	354 687
<b>900</b>	228	382	578
	158 304	260 514	398 773
<b>1000</b>	254	424	643
	176 338	289 571	442 859
<b>1100</b>	279	466	707
	193 372	318 628	487 945
<b>1200</b>	305	509	771
	211 406	346 685	531 1.031
<b>1400</b>	355	593	900
	246 473	404 799	619 1.203
<b>1600</b>		679	1.028
		462 914	707 1.374
<b>1800</b>		763	1.157
		520 1.028	796 1.546
<b>2000</b>		848	1.286
		577 1.142	885 1.718
<b>2200</b>		932	1.414
		635 1.256	973 1.890
<b>2400</b>		1.017	1.543
		693 1.370	1.062 2.062
<b>2600</b>		1.102	
		751 1.485	
<b>2800</b>		1.187	
		808 1.599	
<b>3000</b>		1.272	
		866 1.713	

400		
10	20	30
129	217	321
89 172	148 292	221 429
161	271	401
111 215	185 365	276 537
193	326	482
133 258	222 438	331 644
226	380	562
155 301	259 511	386 751
258	434	642
178 344	296 584	441 858
290	488	722
200 387	333 657	497 966
322	543	802
222 430	370 730	552 1.073
354	597	882
244 473	407 803	607 1.180
387	651	963
267 516	444 876	662 1.288
451	760	1.123
311 602	518 1.022	772 1.502
516	868	1.284
355 688	592 1.168	883 1.717
580	977	1.444
400 774	666 1.314	993 1.931
644	1.085	1.605
444 860	740 1.460	1.103 2.146
	1.194	1.765
	815 1.606	1.214 2.361
	1.302	1.925
	889 1.752	1.324 2.575
	1.411	
	963 1.898	
	1.519	
	1.037 2.044	
	1.628	
	1.111 2.190	

500		
10	20	30
155	263	382
107 208	180 353	262 511
194	329	477
134 261	225 442	327 639
234	395	572
161 313	270 530	393 766
273	460	668
188 365	314 618	459 894
312	526	764
214 417	359 706	524 1.022
351	592	859
241 469	404 795	590 1.149
389	657	954
268 521	449 883	655 1.277
428	723	1.050
294 573	494 971	721 1.405
467	789	1.145
321 625	539 1.060	786 1.532
545	920	1.336
375 729	629 1.236	918 1.788
623	1.052	1.527
428 834	719 1.413	1.048 2.043
701	1.183	1.718
482 938	808 1.589	1.180 2.299
779	1.315	1.908
535 1.042	899 1.766	1.311 2.554
857	1.446	2.099
589 1.146	989 1.943	1.442 2.809
934	1.577	2.290
642 1.250	1.078 2.119	1.573 3.065
	1.709	
	1.168 2.296	
	1.840	
	1.258 2.472	
	1.972	
	1.348 2.649	

# HYGIENE & HYGIENE GALVA

On the label:  
 4-CONNECTIONS HYGIENE  
 4-CONNECTIONS HYGIENE GALVA



Height	600		
Type	10	20	30
<b>400</b>	182	307	441
	125	210	302
	244	412	590
<b>500</b>	227	385	550
	156	263	378
	305	516	737
<b>600</b>	273	461	660
	187	316	453
	366	619	884
<b>700</b>	318	538	771
	218	369	529
	427	722	1.032
<b>800</b>	364	615	880
	249	421	604
	488	825	1.179
<b>900</b>	409	692	991
	281	474	680
	549	928	1.327
<b>1000</b>	455	769	1.101
	312	526	755
	610	1.031	1.474
<b>1100</b>	500	845	1.210
	343	579	830
	671	1.134	1.621
<b>1200</b>	546	922	1.321
	374	631	906
	732	1.237	1.769
<b>1400</b>	637	1.076	1.541
	436	737	1.057
	854	1.443	2.064
<b>1600</b>	728	1.230	1.761
	499	842	1.208
	976	1.650	2.358
<b>1800</b>	819	1.384	1.981
	561	947	1.359
	1.098	1.856	2.653
<b>2000</b>	910	1.537	2.201
	623	1.052	1.510
	1.220	2.062	2.948
<b>2200</b>	1.001	1.691	2.421
	686	1.158	1.662
	1.342	2.268	3.243
<b>2400</b>	1.092	1.844	2.642
	748	1.263	1.813
	1.464	2.474	3.538
<b>2600</b>		1.999	
		1.368	
		2.681	
<b>2800</b>		2.152	
		1.474	
		2.887	
<b>3000</b>		2.306	
		1.579	
		3.093	

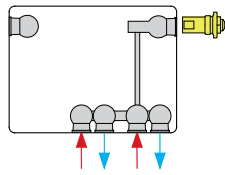
700		
10	20	30
209	350	497
143	239	340
280	470	666
261	437	621
178	299	425
350	587	833
312	524	746
214	359	511
419	704	1.000
364	612	869
249	419	595
489	822	1.166
416	699	994
285	478	681
559	939	1.333
469	787	1.118
321	539	765
629	1.057	1.499
521	874	1.242
356	598	851
699	1.174	1.666
573	962	1.367
392	658	936
769	1.291	1.833
625	1.049	1.490
428	718	1.021
839	1.409	1.999
729	1.225	1.739
499	838	1.191
979	1.644	2.332
833	1.399	1.988
570	957	1.361
1.118	1.878	2.666
937	1.574	2.236
641	1.077	1.531
1.258	2.113	2.999
1.041	1.749	2.484
712	1.196	1.701
1.398	2.348	3.332

900		
10	20	30
261	431	607
178	294	414
351	580	816
325	538	758
222	368	517
439	725	1.020
391	646	909
267	441	620
526	869	1.223
456	754	1.061
311	515	724
614	1.014	1.427
522	862	1.212
356	588	827
702	1.159	1.631
586	970	1.364
400	662	931
789	1.304	1.835
652	1.078	1.516
444	736	1.034
877	1.449	2.039
717	1.185	1.667
489	809	1.138
965	1.594	2.243
782	1.293	1.819
533	883	1.241
1.052	1.739	2.447
913	1.509	2.122
622	1.030	1.448
1.228	2.029	2.855
1.043	1.724	2.425
711	1.177	1.655
1.403	2.318	3.262
1.173	1.940	2.728
800	1.324	1.862
1.579	2.608	3.670
1.303	2.155	3.032
889	1.471	2.068
1.754	2.898	4.078

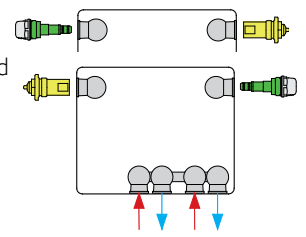
# CONNECTION POSSIBILITIES

## Hygiene ECO

Type 10  
Front of right handed radiator



Type 20 / 30  
Front of right handed radiator

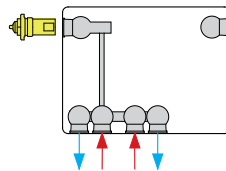


Important notice for ECO radiators:

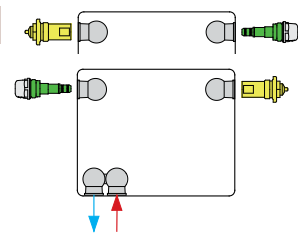
The green ECO air vent is essential for the proper working of types 20 and 30 of the radiator and cannot be replaced by a traditional air vent as the radiator will keep on heating.

## Hygiene ECO (Left handed)

Type 10  
Front of left handed radiator



Type 20 / 30  
Front of left handed radiator

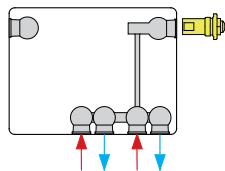


Important notice for ECO radiators:

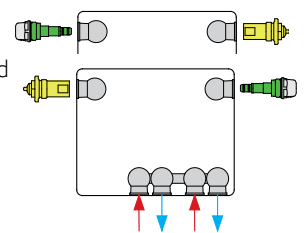
The green ECO air vent is essential for the proper working of types 20 and 30 of the radiator and cannot be replaced by a traditional air vent as the radiator will keep on heating.

## Hygiene ECO Galva

Type 10  
Front of right handed radiator



Type 20 / 30  
Front of right handed radiator

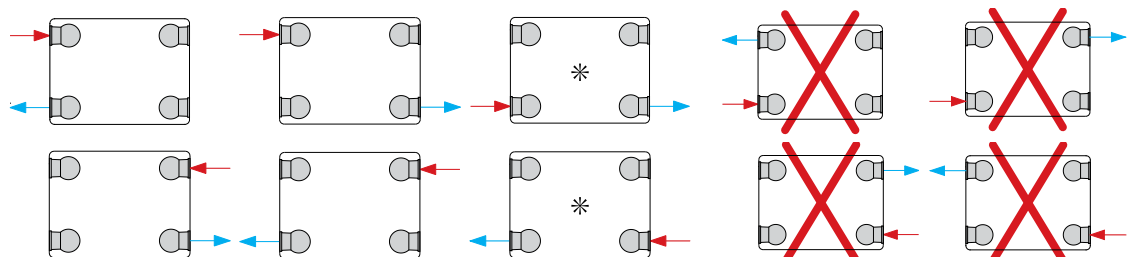


Important notice for ECO radiators:

The green ECO air vent is essential for the proper working of types 20 and 30 of the radiator and cannot be replaced by a traditional air vent as the radiator will keep on heating.

## Hygiene

## Hygiene Galva

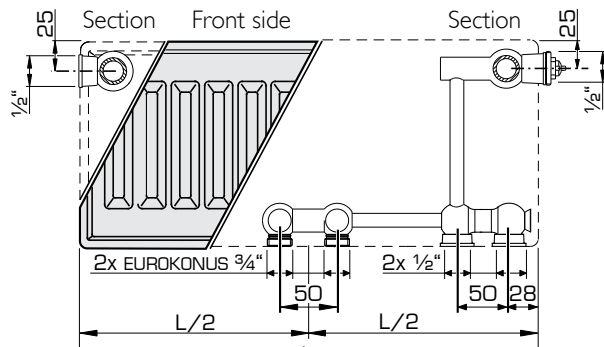


\* = a reduction in heatoutput will occur when combining low temperature heating with a high temperature difference between inlet and outlet.

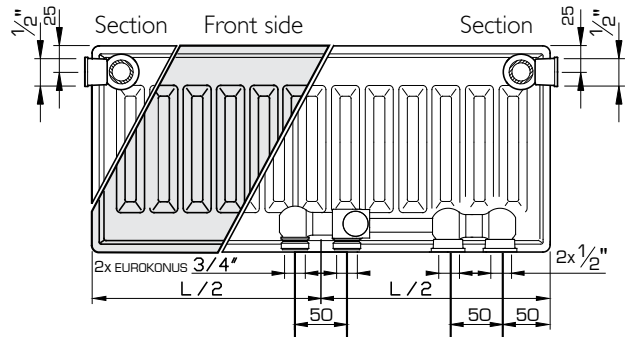
# MOUNTING DIMENSIONS

## Hygiene ECO

Type 10 - Right handed

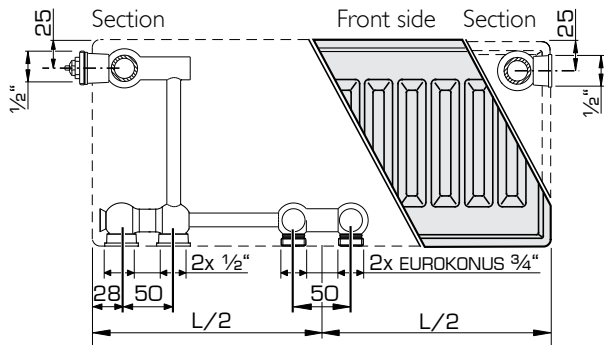


Type 20 / 30 - Right handed

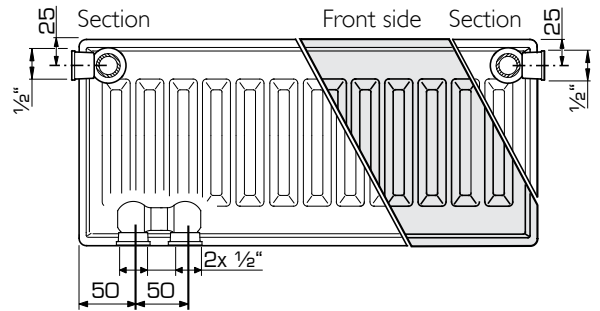


## Hygiene ECO (Left handed)

Type 10 - Left handed

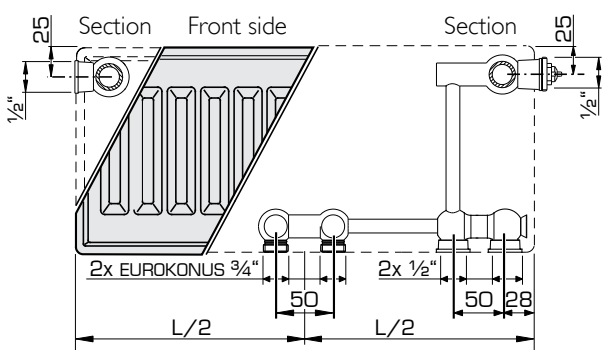


Type 20 / 30 - Left handed

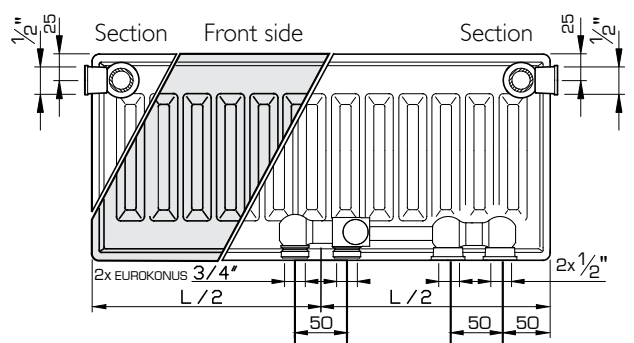


## Hygiene ECO Galva

Type 10

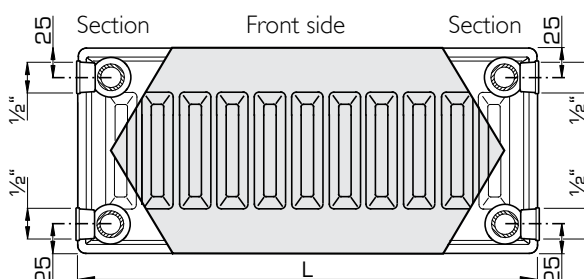


Type 20 / 30



## Hygiene

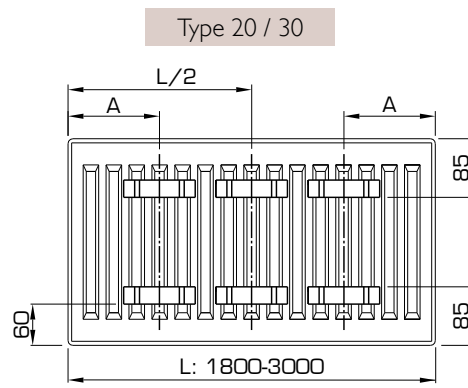
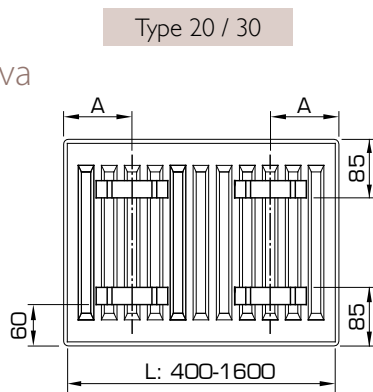
## Hygiene Galva



# LUG POSITIONS

Hygiene ECO  
Hygiene ECO Galva

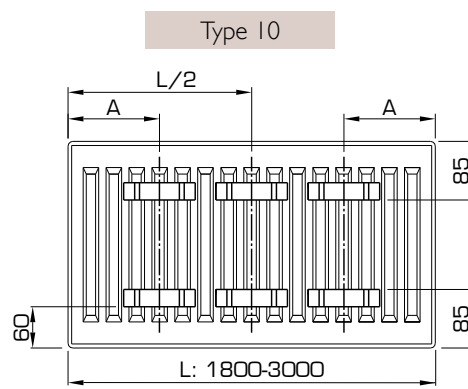
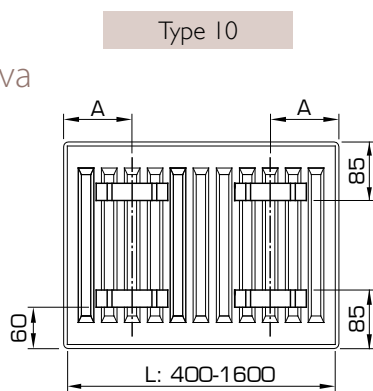
L	A
400-1600	133



L	A
1800-3000	133

Hygiene ECO  
Hygiene ECO Galva

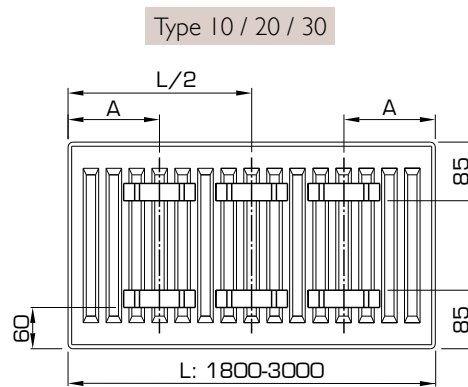
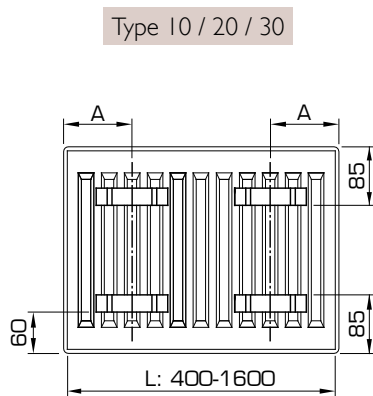
L	A
400	100
500-1100	167
1200-1600	267



L	A
1800-3000	267

Hygiene  
Hygiene Galva

L	A
400-1600	133



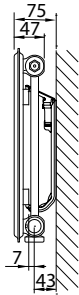
L	A
1800-3000	133

# WALL BRACKETS

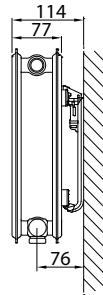
## J-Brackets (Monclac, VDI 6036 - Class 3)

Hygiene ECO  
Hygiene ECO Galva

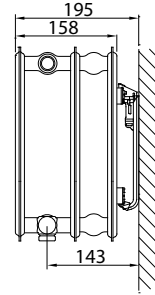
Type 10 ECO



Type 20 ECO

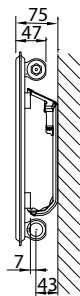


Type 30 ECO

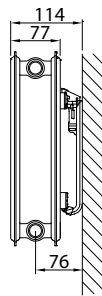


Hygiene Galva  
Hygiene

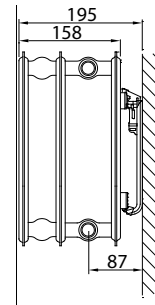
Type 10



Type 20



Type 30



Type 10		Art. N°.		Height
J-Brackets (VDI 6036 Class 3)	x	y	2 pcs.	mm
	/	130	R51120310	300
	115	230	R51120410	400
	115	330	R51120510	500
	115	430	R51120610	600
	115	530	R51120710	700
	115	730	R51120910	900

Types 11-33			Art. N°.		Height
J-Brackets (VDI 6036 Class 3)	x	y	2 pcs.	3 pcs.	mm
	/	140	R509203	R509303	300
	103	240	R509204	R509304	400
	103	340	R509205	R509305	500
	103	440	R509206	R509306	600
	103	540	R509207	R509307	700
	103	740	R509209	R509309	900

For lengths above 1600 mm: 3 brackets needed.



*Seasons*

*change,*

*and so*

*do we !*

Austria • Belarus • Belgium • Cyprus • Czech Republic • Estonia • France • Germany • Greece • Iceland • Ireland • Lithuania  
Luxemburg • Norway • Poland • Portugal • Slovenia • Spain • Sweden • The Netherlands • Tunisia • Ukraine • United Kingdom

**THE NETHERLANDS**  
Caradon Stelrad B.V. | Kathagen 30 | 6361 HG Nuth  
[WWW.STELRAD.EU](http://WWW.STELRAD.EU)

 **Stelrad**  
Europe's favourite radiator

STR PF EN ALL HYG 2023/07