

Maintenance and cleaning of Stelrad radiators: highly recommended

In addition to a proper installation of Stelrad radiators, regular maintenance and cleaning contribute to a long service life. We have listed a number of tips to help you carry out maintenance and cleaning and to extend the life of your radiator.

Tip 1

The radiators must always be installed in accordance with our installation instructions.

Tip 2

Have a thorough maintenance carried out on the heating installation at least once a year and have its functionality checked.

Tip 3

To clean Stelrad radiators, dismantle them according to the drawings below and reassemble them according to the illustrations.

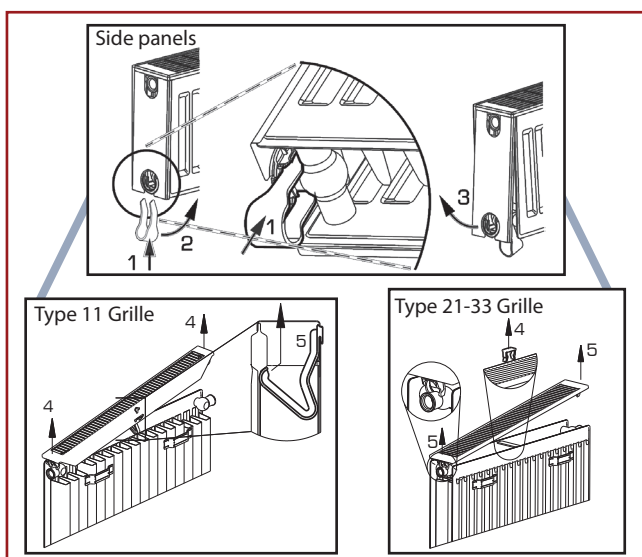


Side panels key
Article number: T1105

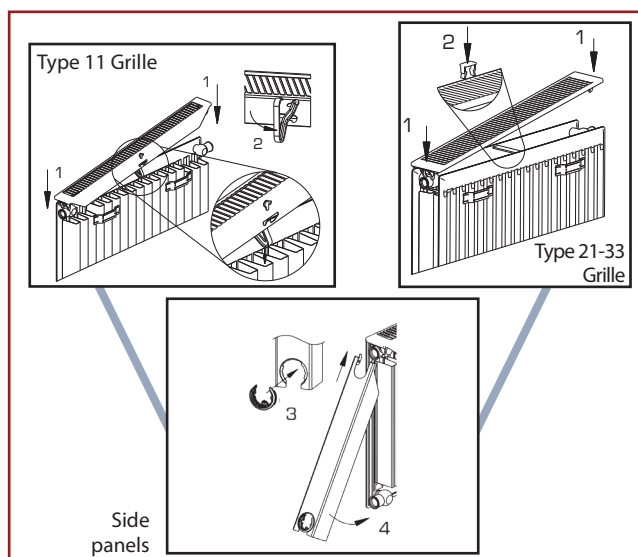
Disassembly and assembly of grilles and side panels

Planar VENTO · Compact VENTO · Novello ECO (Type 11) · Planar ECO (Type 11) · Planar Style ECO (Type 11) · Planar 8 · Planar Style 8 · Planar · Compact Planar · Compact Style · Planar Plinth · Planar Style Plinth · Planar Plinth D · Planar Style Plinth D · Novello Plinth · Reno Planar · Reno · Novello 8 · Novello · Compact All In

Disassembly



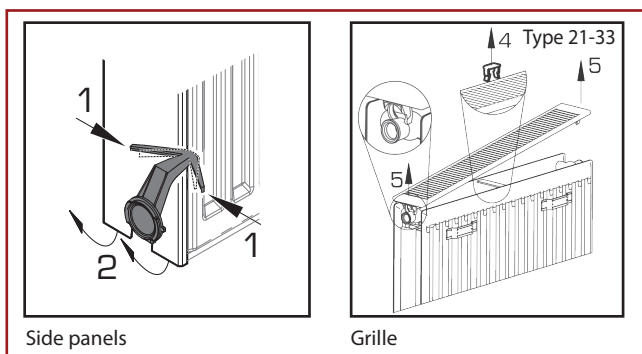
Assembly



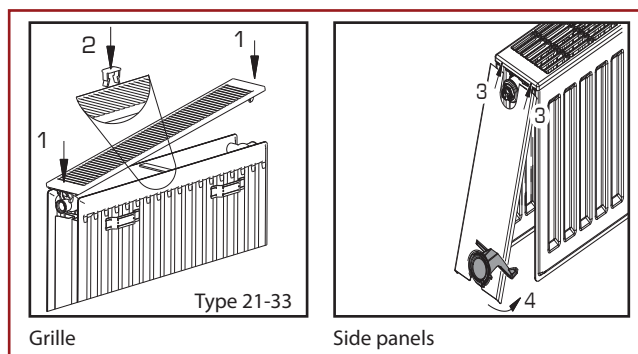
Disassembly and assembly of grilles and side panels

Novello ECO (Type 21/22/33) · Planar ECO (Type 21/22/33) · Planar Style ECO (Type 21/22/33)

Disassembly



Assembly



Maintenance and cleaning of Stelrad radiators: highly recommended

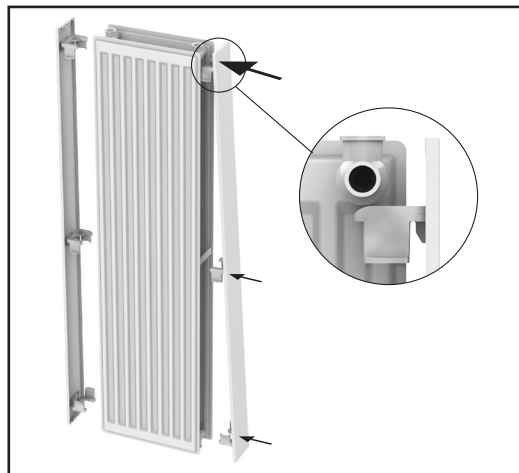
Disassembly and assembly of side panels

Vertex Plan · Vertex Style · Vertical Galva · Vertex

Disassembly



Assembly



Tip 4

If the paint on the radiators is dirty, clean it with a damp microfiber cloth.

ATTENTION: do not use solvents, acids or other corrosive substances to clean the radiator. These can seriously damage the paint, causing dull spots or rust formation.



Tip 5

In order for a radiator to function optimally, it is wise to regularly clean between the heating elements.

Clean radiators not only look nicer, they are also more energy efficient, because dust particles reduce the efficiency of heat emission. Dust can be removed with our flexible radiator brush.



Radiator brush
Article number: T1131

Tip 6

If the paint has minor damage, these can be repaired with our matching paint pen or paint spray (for larger surfaces).



Paint spray
(150 ml)
Article number:
T1110



Paint pen (12 ml)
Article number:
T1114 Stelrad White
T1116 coloured

The General Terms and Conditions of Sale apply to all our products.

Consult your installer if you have specific questions or if you want to order our special cleaning products.